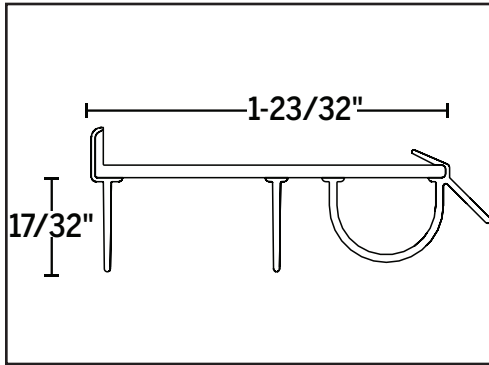
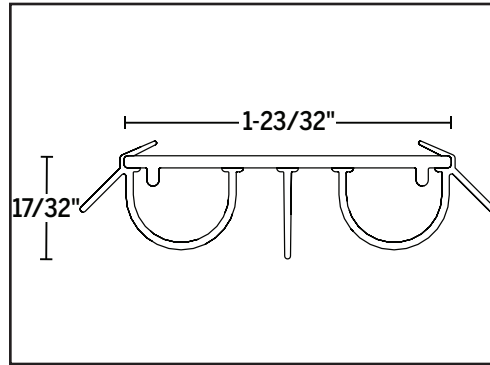


Endura Door Bottom Options

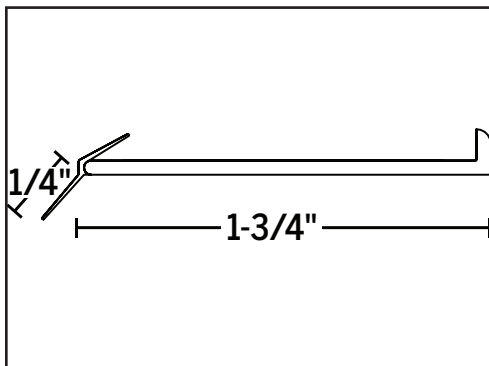
Staple-On Door Bottoms



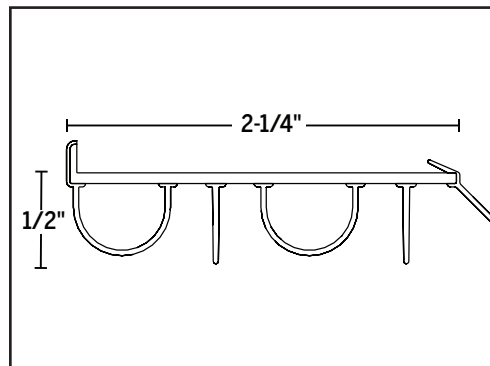
DBS-H



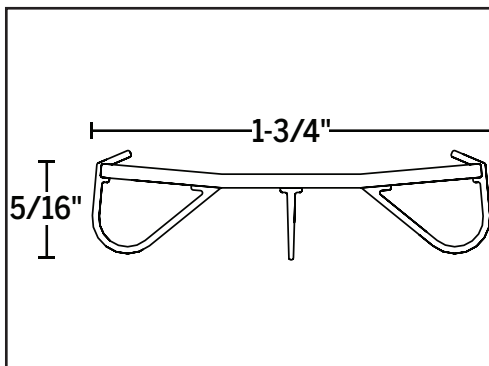
DBS-R



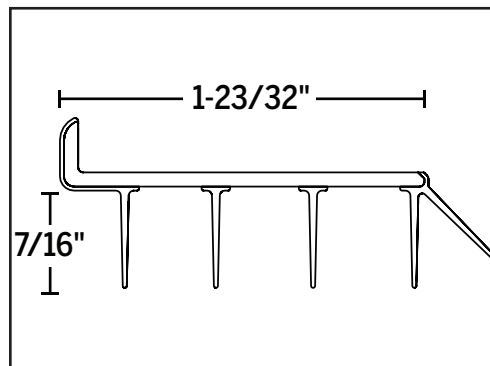
DBS-OS



DBS214

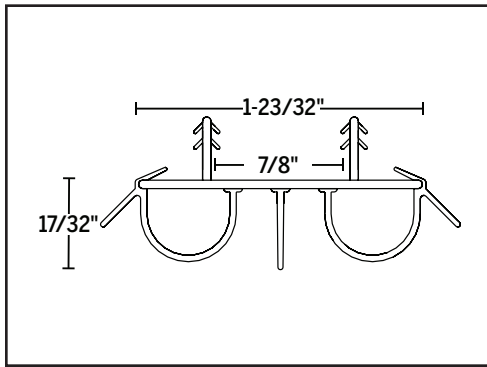


ST134

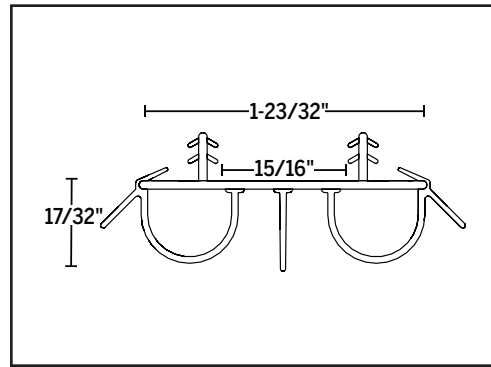


ST200

Kerfed Door Bottoms

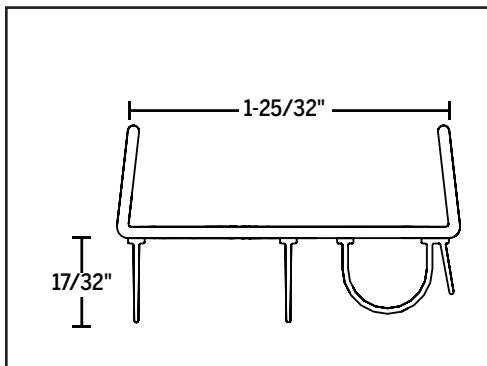


DBK-R

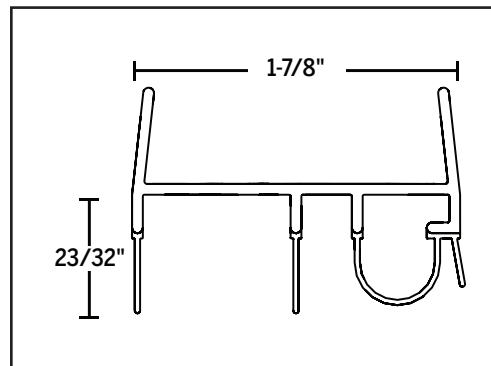


DBK-R1516

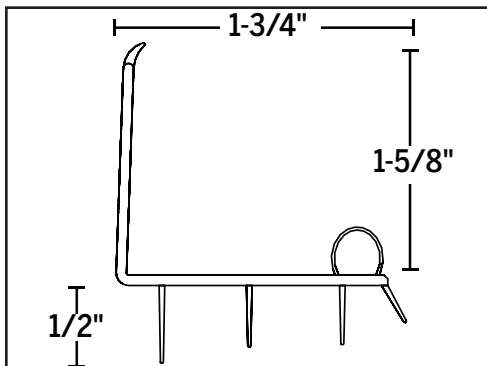
Screw-On Door Bottoms (for Steel Edged Doors)



DBUH38

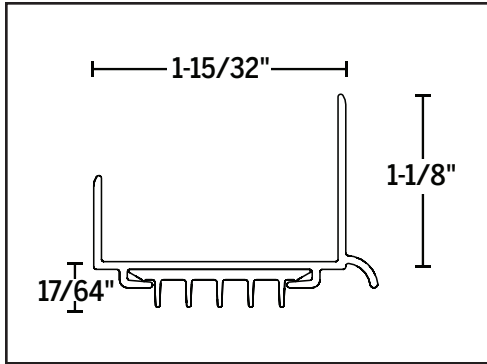


DBUH58

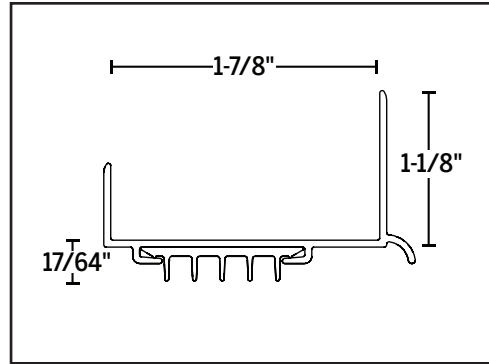


DB34

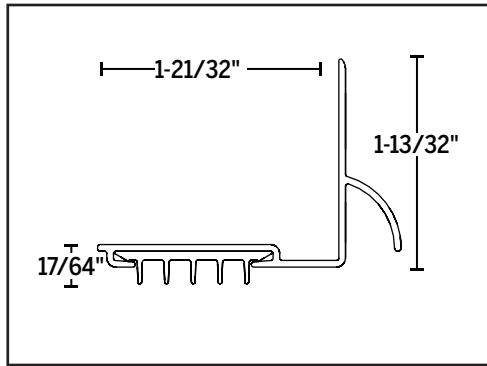
Aluminum Screw-On Door Bottoms



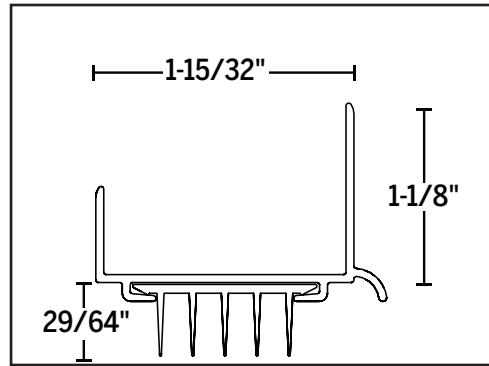
AB1206N



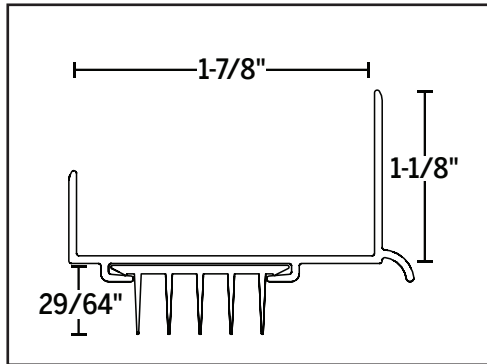
AB1206W



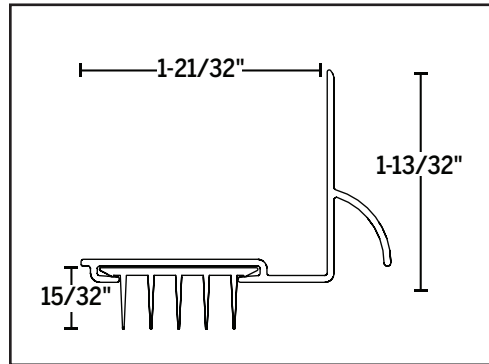
SDB



AB1206NLFV

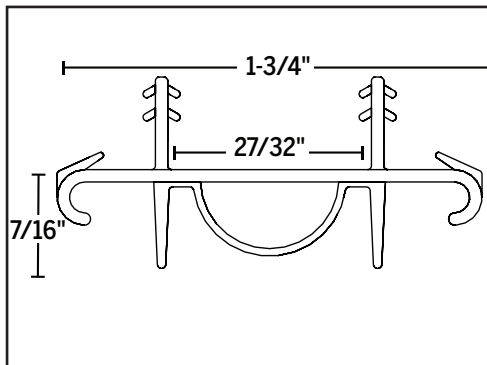


AB1206WLFV

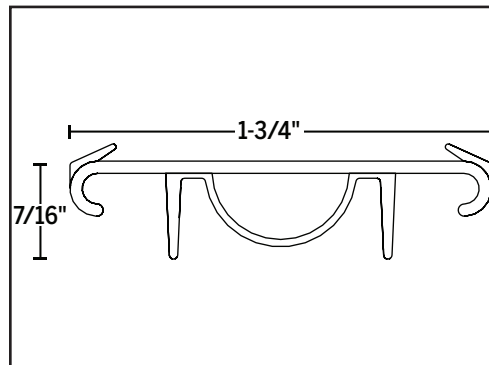


SDBLFV

Z-AC Door Bottoms



DBKAC



DBSAC

