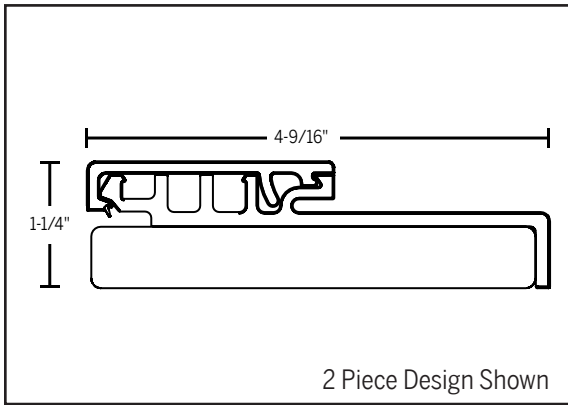
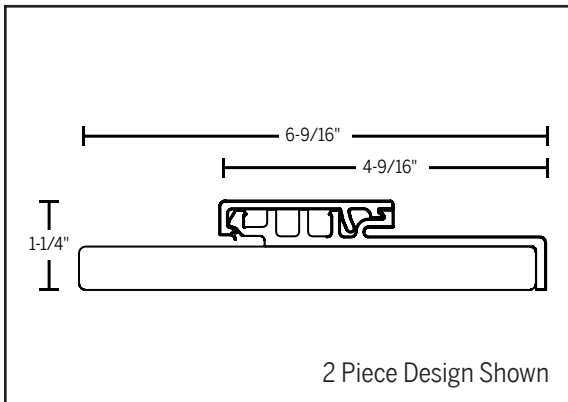


FRAMESAVER® FUSIONFRAME™ - STARTING JAMB WIDTH SELECTION:



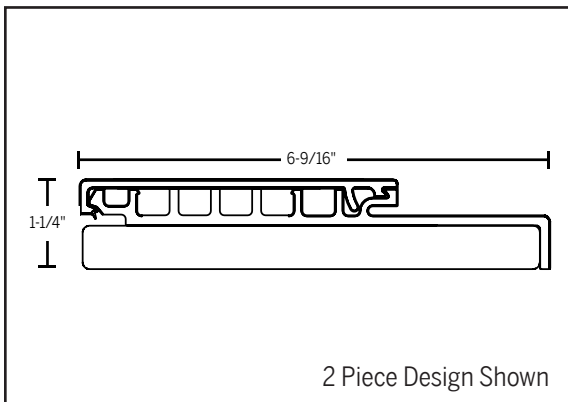
When to Start with a 4-9/16" DEDICATED JAMB (1 PIECE OR 2 PIECE):

Any jamb width between 4-9/16" and 4-7/8"



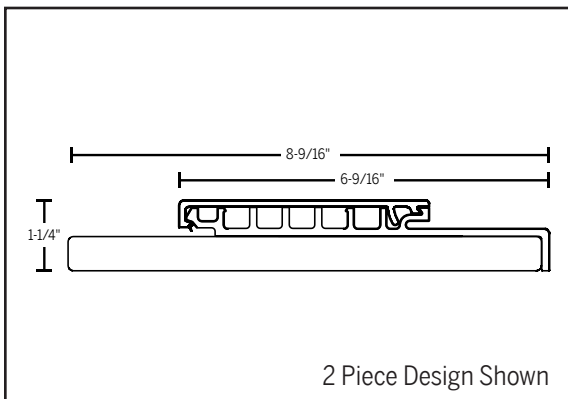
When to Start with a 6-9/16" RIPPABLE JAMB (1 PIECE OR 2 PIECE):

Any jamb width between 4-9/16" and 6-9/16"



When to Start with a 6-9/16" DEDICATED JAMB (1 PIECE OR 2 PIECE):

Any jamb width between 6-9/16" and 6-7/8"



When to Start with a 8-9/16" RIPPABLE JAMB (1 PIECE OR 2 PIECE):

Any jamb width between 6-9/16" and 8-9/16"