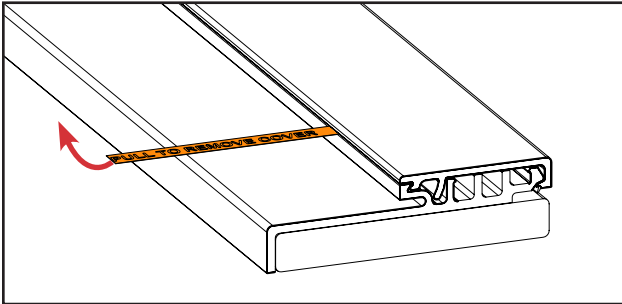
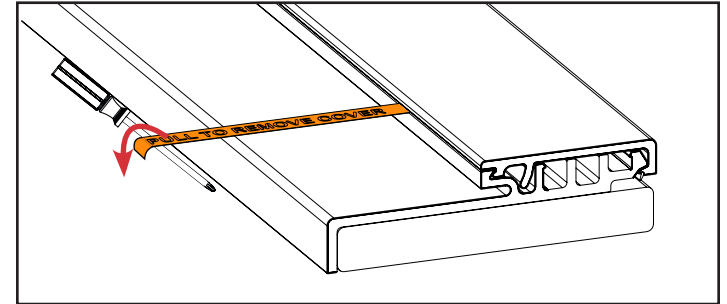


HOW DO I REMOVE THE JAMB STOP COVER?



METHOD 1 (PREFERRED):

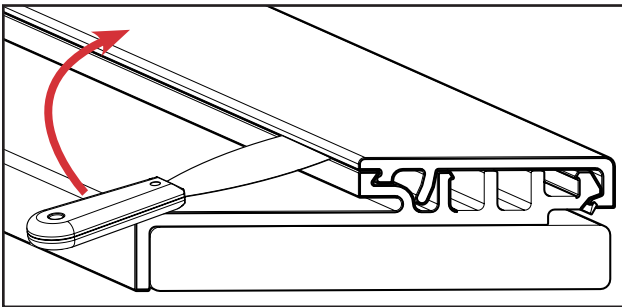
Pull the Mylar Tabs by Hand



METHOD 2

(If the cap fits tightly on the jamb and Method #1 didn't work):

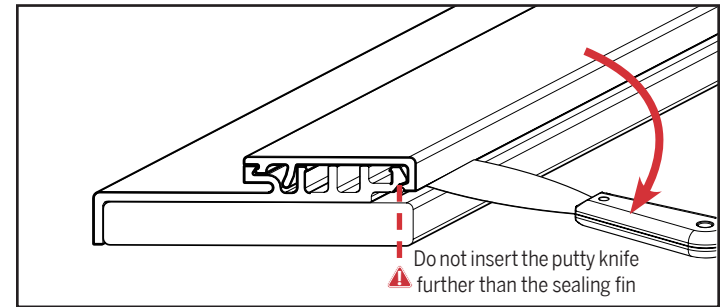
Wrap the mylar tab around a screw driver and pull. This will give your hand something more solid to grasp.



METHOD 3

(If the mylar strip is no longer present on the jamb and you can access behind the weatherstrip - usually Active Openings):

Insert a putty knife (or Vinyl Siding Removal Tool) under the cover from the interior side of the jamb.



METHOD 4

(If the mylar strip is no longer present on the jamb and you cannot access behind the weatherstrip - usually in Sidelite Applications):

Insert a putty knife (or Vinyl Siding Removal Tool) under the cover from the exterior side of the jamb and rotate upwards. Do not insert the putty knife further than the sealing fin to prevent breaking the jamb.

***If the jamb skin cracks, the jamb stop cover should still secure onto the jamb skin and hide this damage. This portion of the jamb skin is designed to be weaker than the glue bond of the composite skin onto the wood core. Therefore, this prevents the whole jamb skin from being removed and completely damaging the jamb.