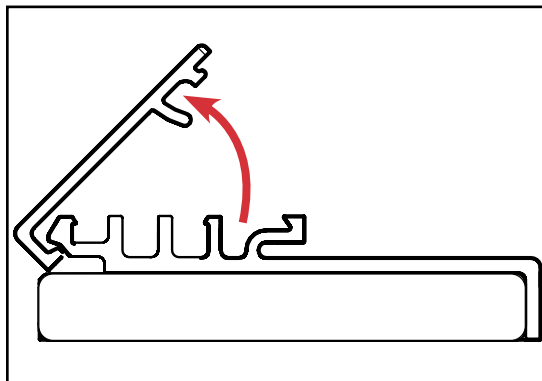


FrameSaver® FusionFrame™

Jamb Cover Clips

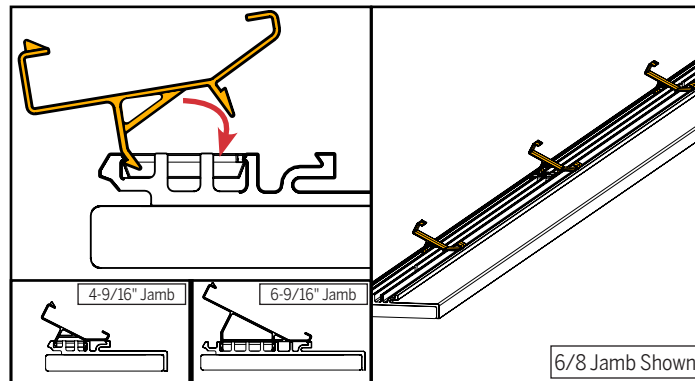


INSTALLING ONTO JAMB

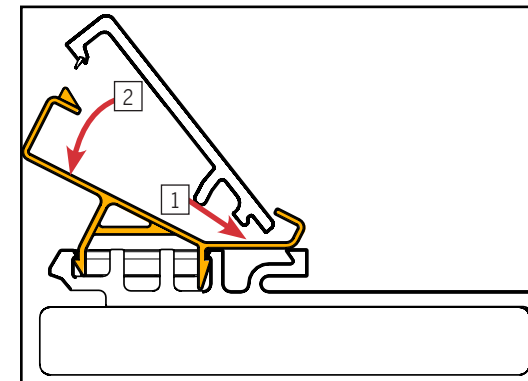


a. Remove cover from the jamb.

TIP: Use a screwdriver to pry the cover upwards from the top or bottom of the jamb.

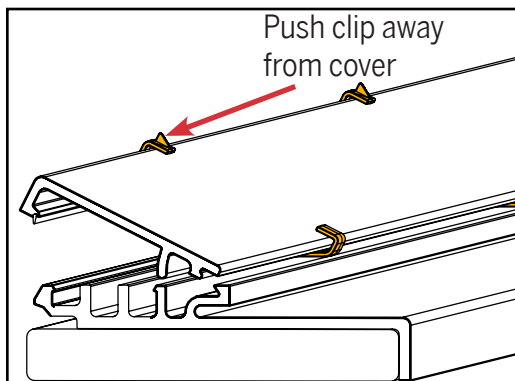


b. Install the clips onto jamb by rotating it over the lighter colored ribs. Repeat along the length of the jamb. For 6/8 jams, you'll need 2-3 clips. For 8/0 jams, you'll need 3-4.

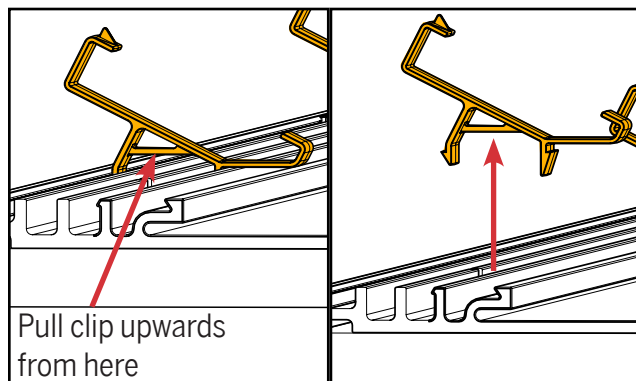


c. Slide the interior side of the jamb cover into the clip (1) and rotate the exterior side downwards to snap into place (2).

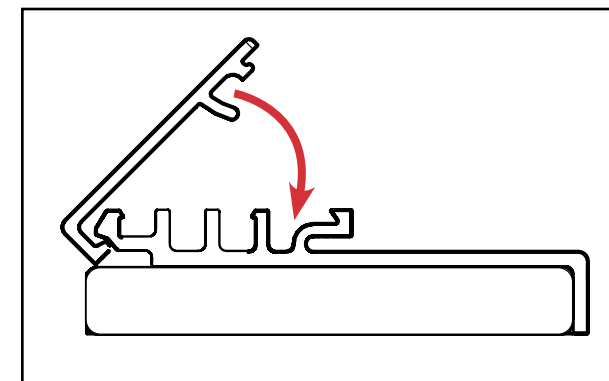
REMOVING FROM JAMB/COVER



a. Push the clip away from the cover, allowing it to rotate out.



b. Use a screwdriver (or your hand) under the horizontal support and pull upwards to disengage the clips.



c. Install the jamb cover back onto the jamb, once the door unit is installed by rotating the cover over the exterior of the jamb and snapping it on.