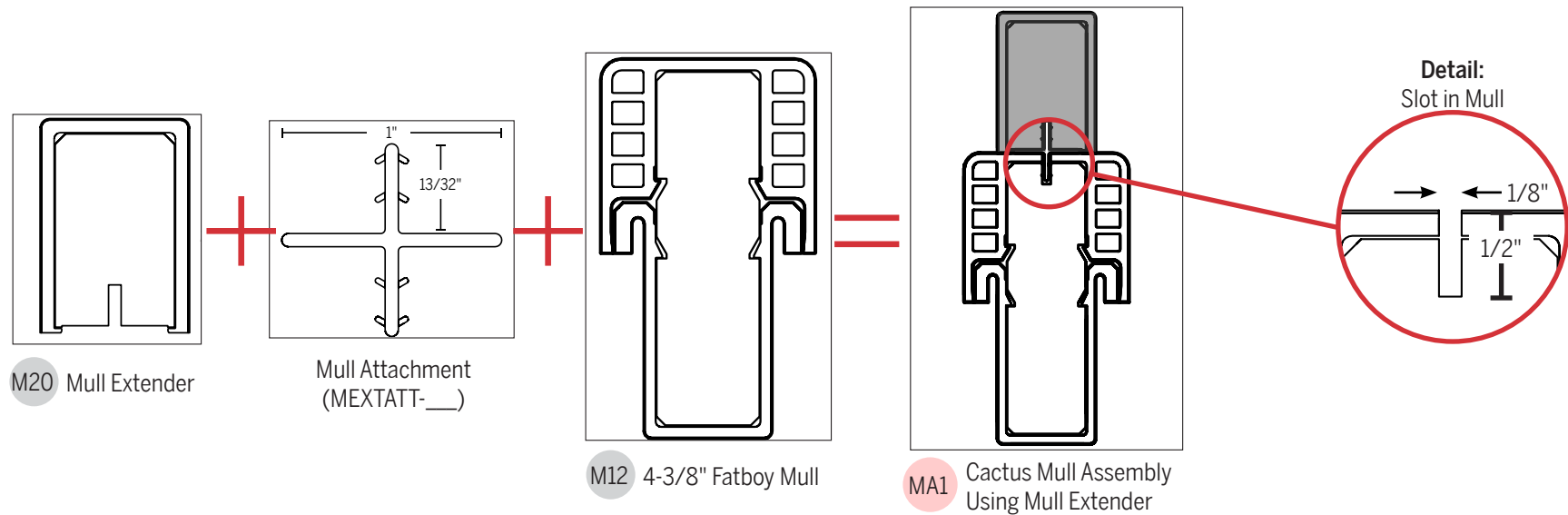
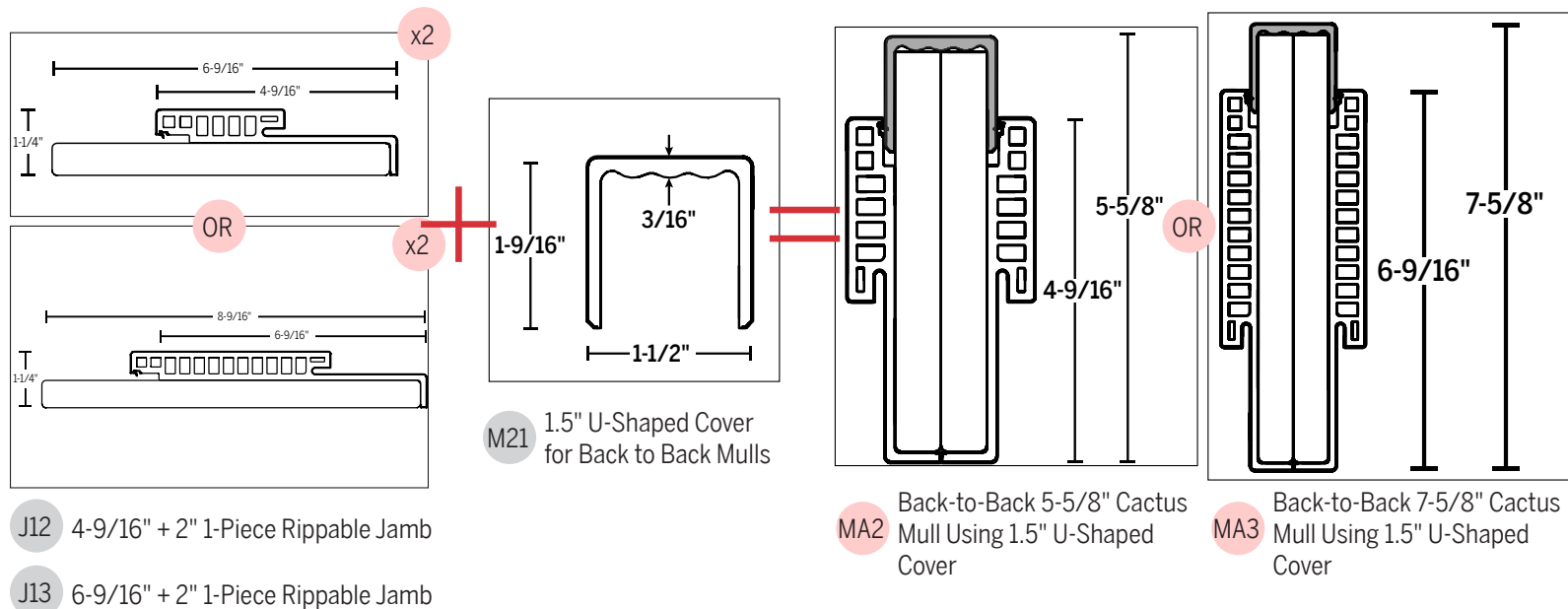


WHAT COMPONENTS SHOULD BE USED FOR A CONTINUOUS SIDELITE SYSTEM WITH A STORM DOOR?

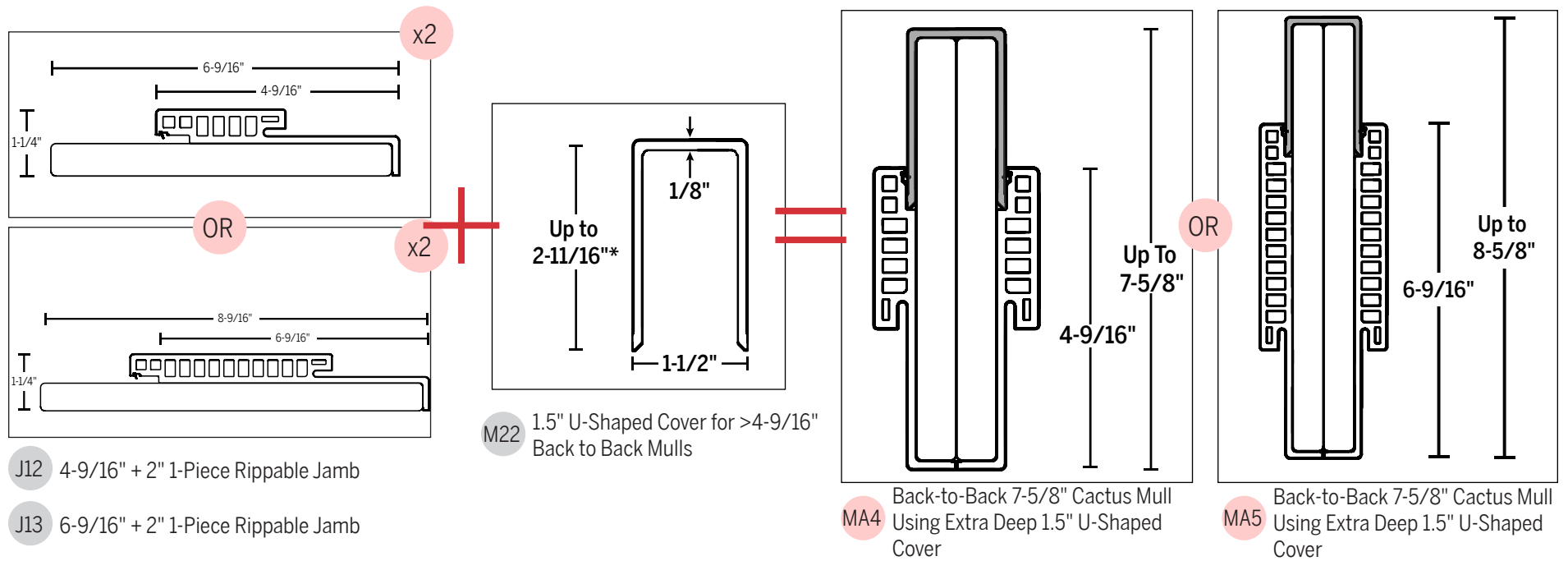
When using a one-piece mull:



When using back-to-back jambs (in an assembly built with either 4-9/16" or 6-9/16" dedicated side jambs):

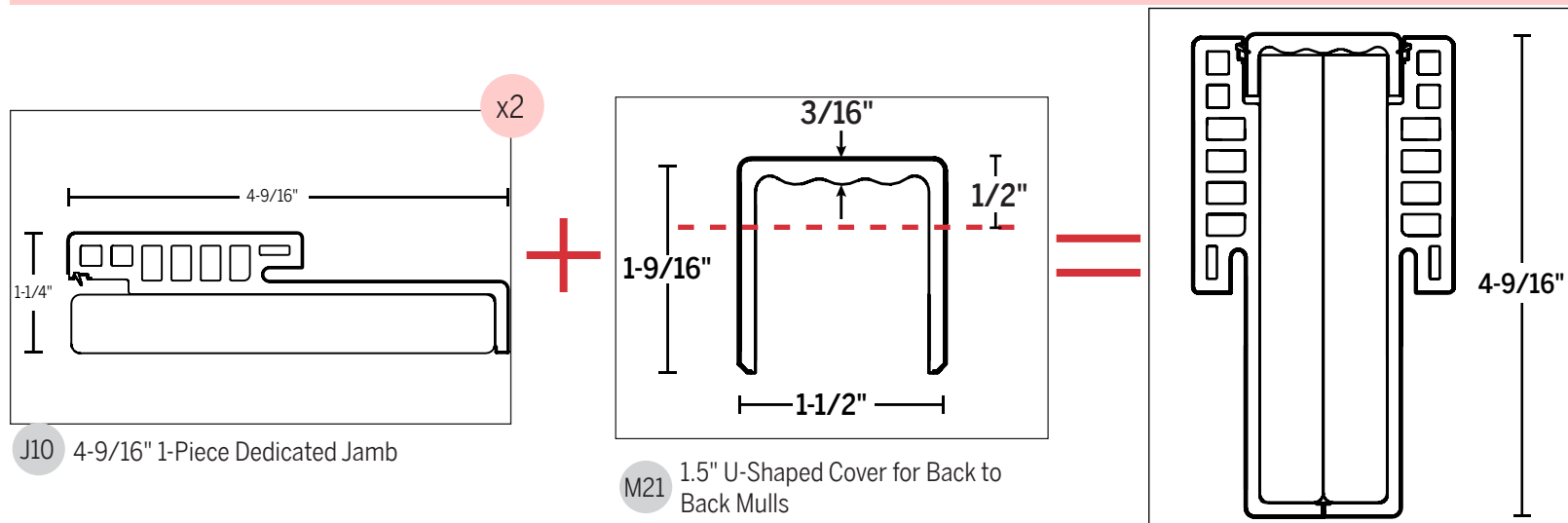


When using back-to-back jambs (in an assembly built with either 6-9/16" or 8-9/16" width-adjustable side jambs):



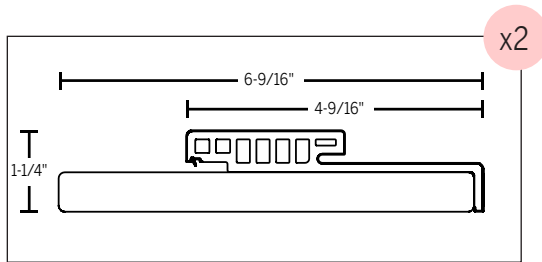
WHAT COMPONENTS SHOULD BE USED FOR A CONTINUOUS SIDELITE SYSTEM WITHOUT A STORM DOOR?

When using back-to-back jambs:

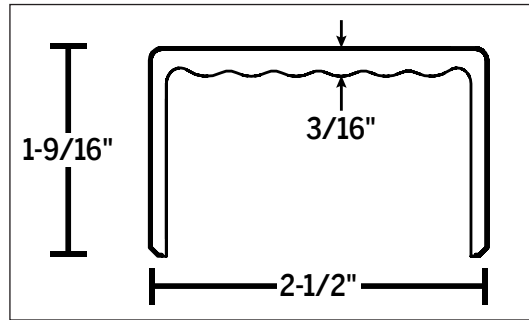


WHAT COMPONENTS SHOULD BE USED TO CREATE A SPREAD MULL?

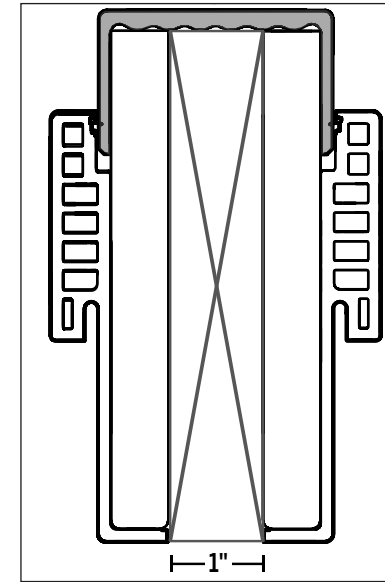
IF YOUR SPREAD IS EXACTLY 1"



J12 4-9/16" + 2" 1-Piece Rippable Jamb

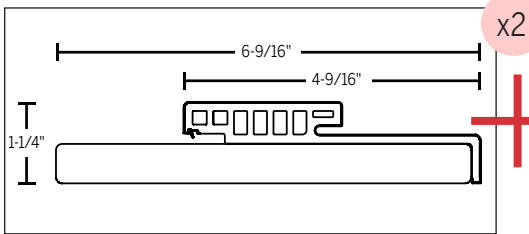


M30 2.5" U-Shaped Cover for 1" Spread Mull

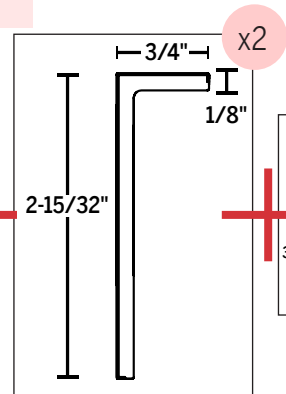


MA6 1" Spread Mull using a 2.5" U-Shaped Cover

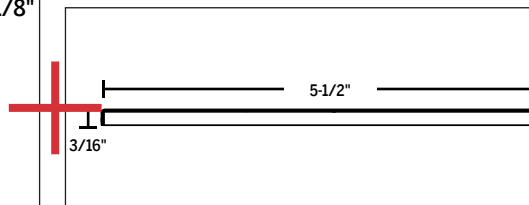
IF YOUR SPREAD IS NOT EXACTLY 1"



J12 4-9/16" + 2" 1-Piece Rippable Jamb



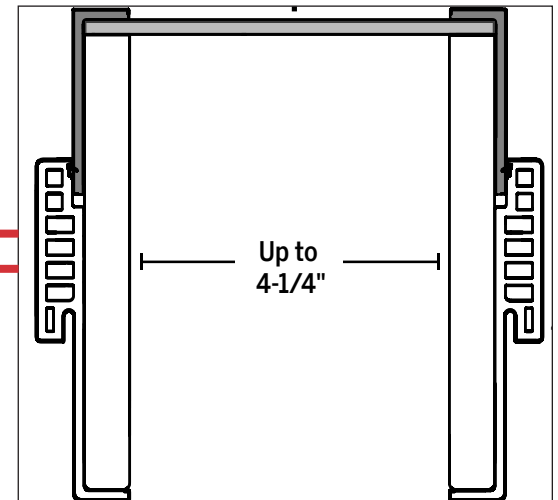
M31 L-Shaped Mull Cover Receiver for >1" Spread Mull



M32 Flat Cover for >1" Spread Mull

The Flat Cover will get cut down to be equal to the spread of the mull + 1".

These will need to be cut at an angle on the bottom to accommodate the sill angle.

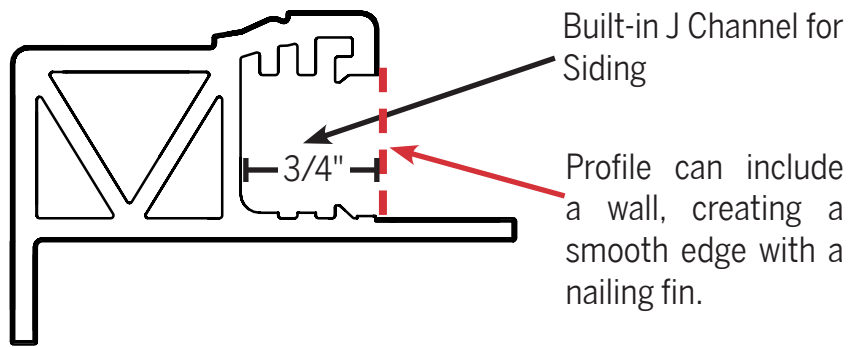


Interior Mull Cover to be provided by customer*

MA7 Spread Mull using (2) L-Shaped Inserts and (1) Flat Cover

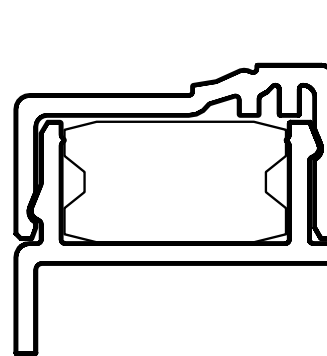
* The Flat Cover can be used as an Interior Mull Cover, but it must be finished (painted, stained, etc) on the ripped edges.

Which brickmould profile is most economical/
should be used in place of current J-channel
Brickmould profiles?

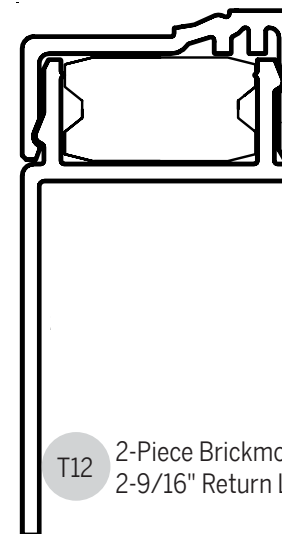


T10 1-Piece Brickmould with 9/16" Return Leg

Which brickmould profile should be used when you
have no room for a nailing flange or if you plan on
hanging a storm door?

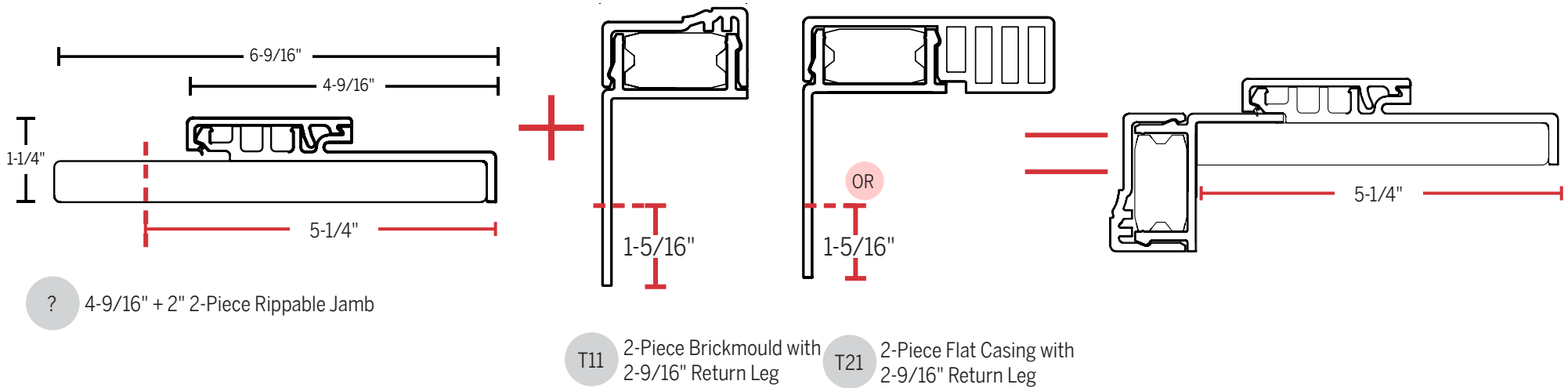


T11 2-Piece Brickmould with 9/16" Return Leg



T12 2-Piece Brickmould with 2-9/16" Return Leg

WHAT COMPONENTS SHOULD BE USED TO BUILD A DOOR SYSTEM REQUIRING A 5-1/4" JAMB OR OTHER JAMB WIDTHS BETWEEN 4-9/16" AND 6-9/16"?



WHAT COMPONENTS SHOULD BE USED TO BUILD A DOOR SYSTEM REQUIRING A 7-1/4" JAMB OR OTHER JAMB WIDTHS BETWEEN 6-9/16" AND 8-9/16"?

