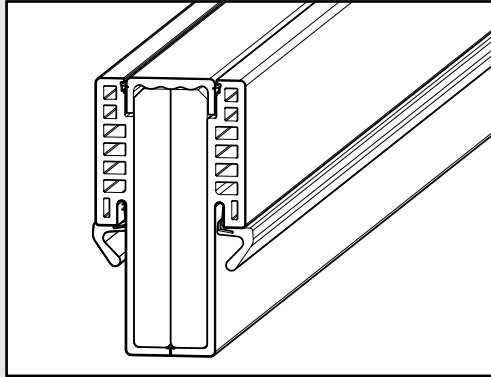


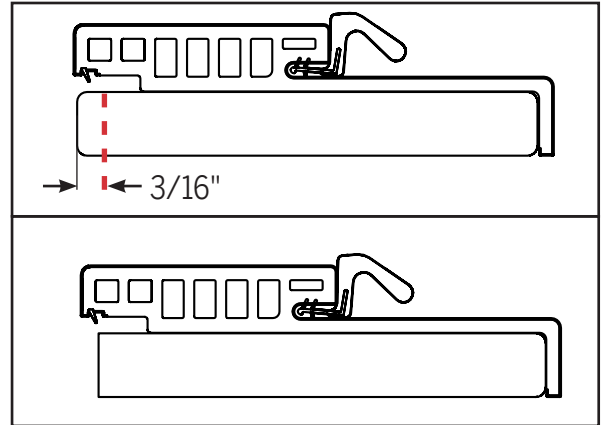
FrameSaver[®] FusionFrame[™]

Back-to-Back Mull Assemblies

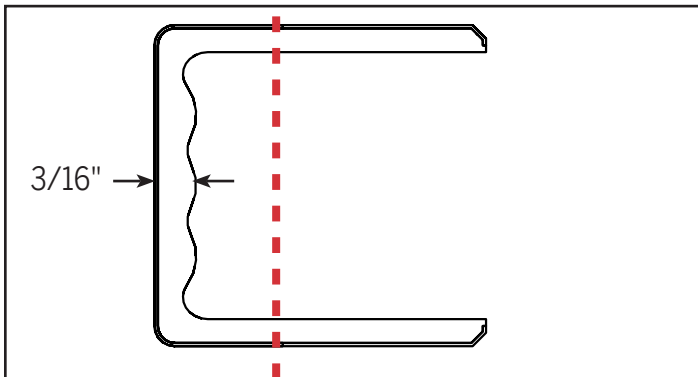
DEDICATED BACK-TO-BACK MULL ASSEMBLIES:



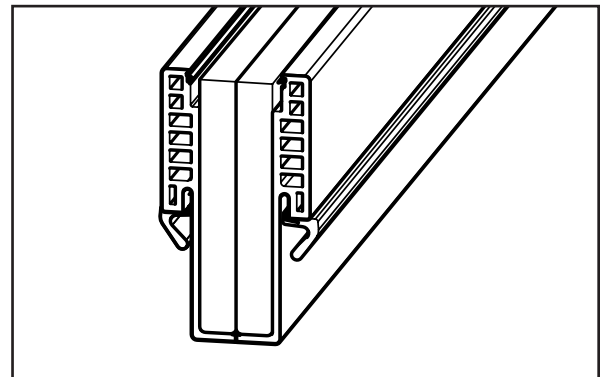
Back-to-Back Mulls consist of two haunched jambs and a modified U-Shaped Cover.



a. Cut down the core of each jamb to be 3/16" less than the overall width of the final mull, to accommodate the thickness of the U-Shaped Cover.



b. For the U-Shaped Cover to fit properly, cut down the legs. If you are installing the U-Shaped Cover into two dedicated jambs, you will need to cut the legs down 15/16".



c. Hold the two cores together and fasten the cores together using one of the two options described on the right.

FASTENING THE TWO JAMBS TOGETHER:

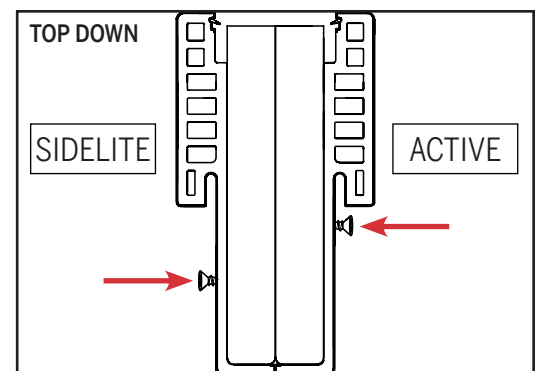
FOR BOTH OPTIONS: *On the sidelite side of the Back-to-Back Mull, install screws through the jamb at the same increments, about 1" off the stop.

OPTION 1: Stitching Gun

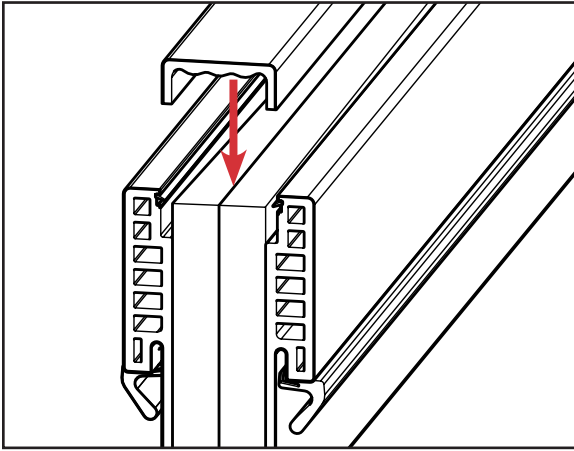
- Recommended: 1" Size Stitches
- For Jambs 6/8 or 7/0 in length, use 4-5 stitches
- For Jambs 8/0 in length, use 6-7 stitches

OPTION 2: No Stitching Gun, Using Screws

- Recommended: #6 x 1" or #8 x 1" Screws
- Insert screws through the active side adjacent to the jamb stop, tucked under the weatherstrip.
- For Jambs 6/8 or 7/0 in length, use 4-5 screws on each side
- For Jambs 8/0 in length, use 6-7 screws on each side



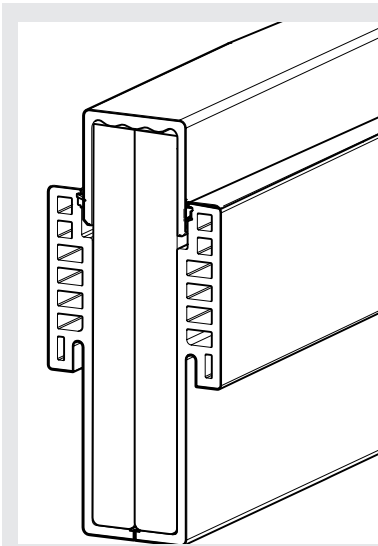
DEDICATED BACK-TO-BACK MULL ASSEMBLIES (CONT.):



d. Install the modified U-Shaped Cover into the brickmould slots to cover the exposed cores.

When using an Extra Deep U-Shaped Cover, chamfer the edges of the core

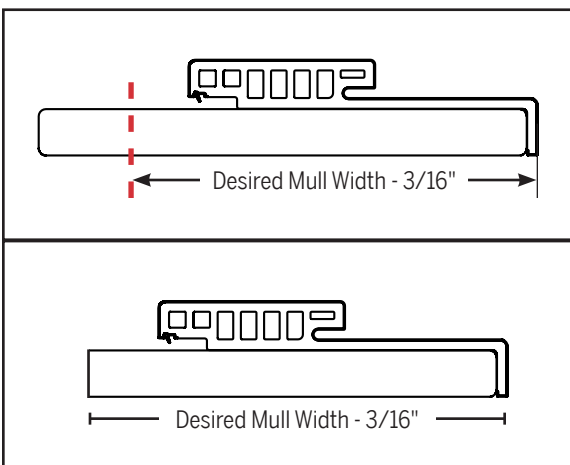
STORM DOOR READY BACK-TO-BACK MULL ASSEMBLIES:



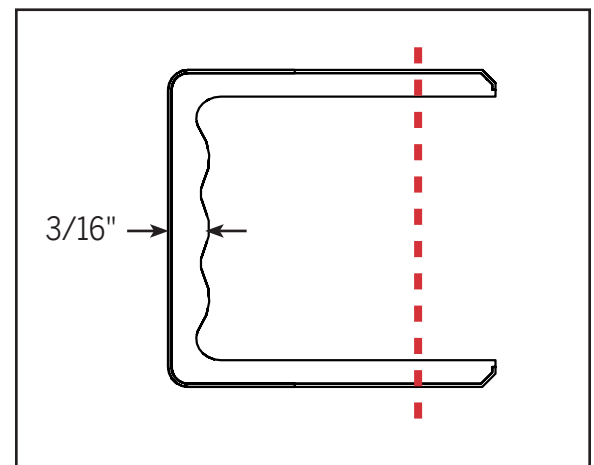
Back-to-Back Cactus Mulls consist of two haunched, rippable jambs and a U-Shaped Cover (Standard or Extra Deep).

THINGS TO CONSIDER:

- If you are removing less than 1/2" from a Rippable Jamb, you will need to use the Extra Deep 1.5" U-Shaped Cover.
- Screws can be fastened through the exposed core before the U-Shaped Cover is installed to maintain prefinished look.
- The U-Shaped Covers are 3/16" thick, meaning you will have to cut down the core to be 3/16" less of your desired mull width.

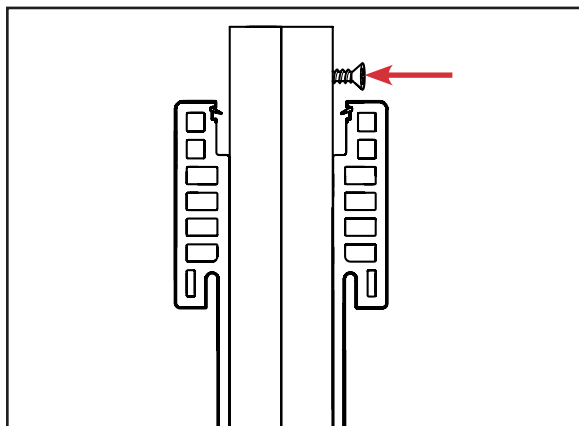


a. Cut down the core of each jamb to be 3/16" less than the overall width of the final mull.



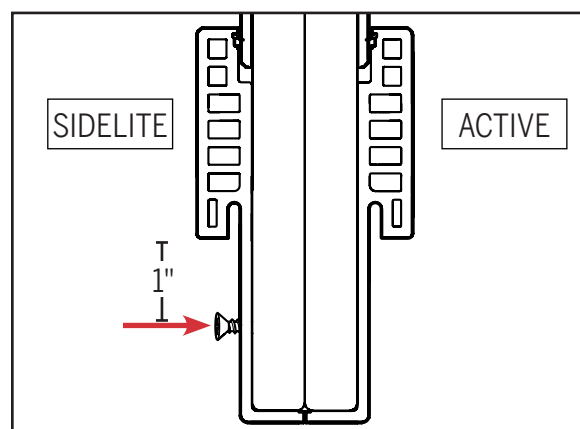
b. For the U-Shaped Cover to fit properly, cut down the legs an equal distance to what was removed from the core.

STORM DOOR READY BACK-TO-BACK MULL ASSEMBLIES (CONT.):

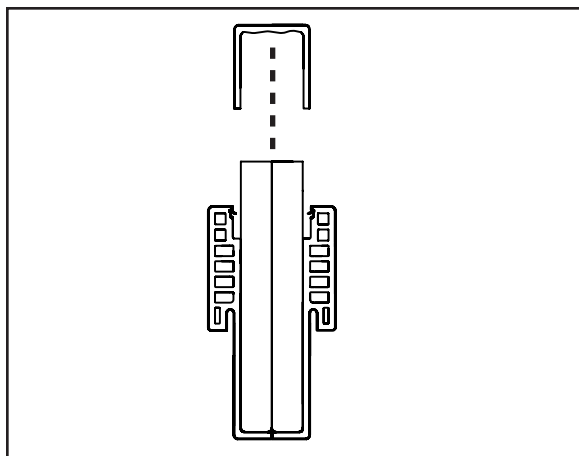


c. Hold the two jambs back-to-back and Install screws through the exposed core of the jambs.

- Recommended: #6 x 1" or #8 x 1" Screws
- For Jambs 6/8 or 7/0 in length, use 4-5 screws on each side
- For Jambs 8/0 in length, use 6-7 screws on each side



d. On the side of the sidelite panel, install screws through the jamb, about 1" off the jamb stop and along the length of the jamb.



e. Install the modified U-Shaped Cover into the brickmould slots to cover the exposed cores.