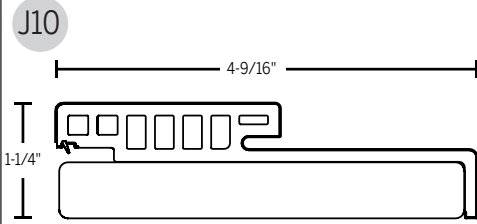
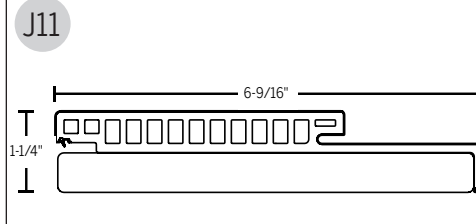


FRAMESAVER® FUSIONFRAME™ JAMBS AND ACCESSORIES

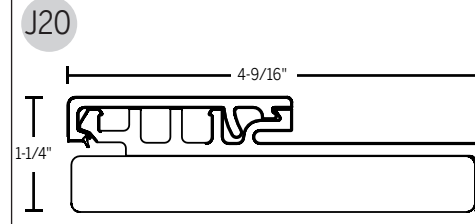
4-9/16" 1-PIECE DEDICATED



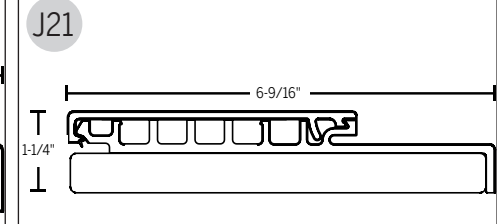
6-9/16" 1-PIECE DEDICATED



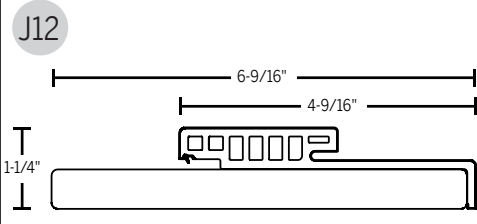
4-9/16" 2-PIECE DEDICATED



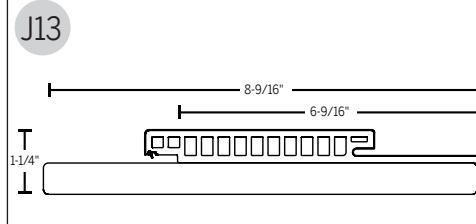
6-9/16" 2-PIECE DEDICATED



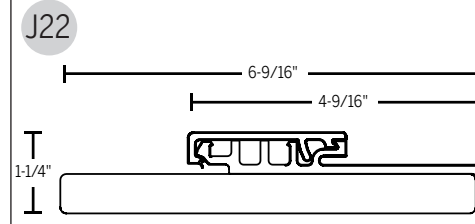
4-9/16" + 2" 1-PIECE RIPPABLE



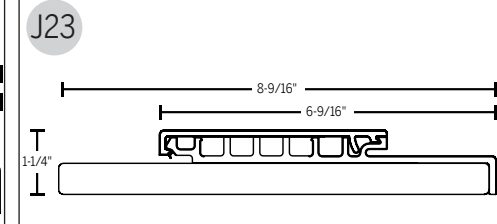
6-9/16" + 2" 1-PIECE RIPPABLE



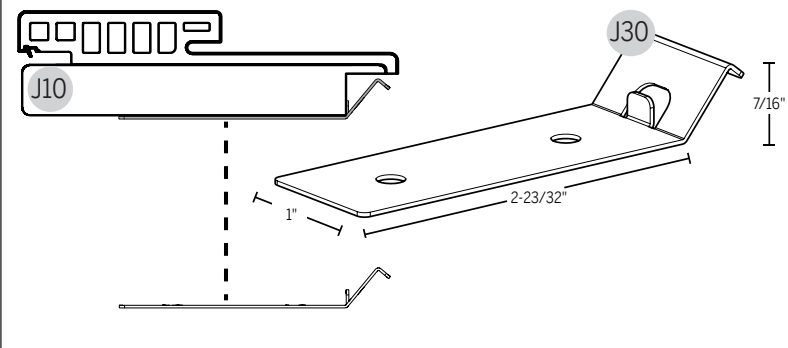
4-9/16" + 2" 2-PIECE RIPPABLE



6-9/16" + 2" 2-PIECE RIPPABLE

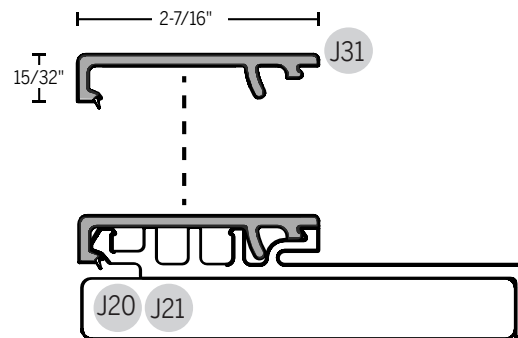


OUTSWING RETENTION BRACKET

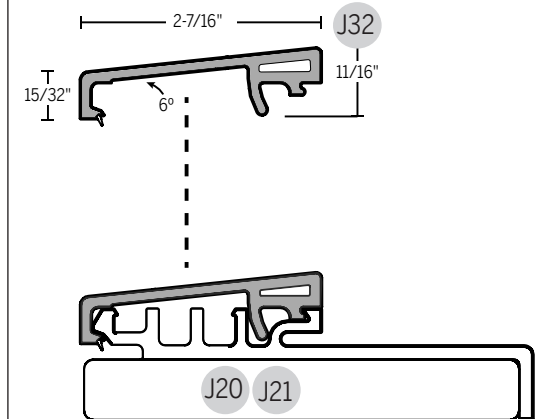


LOOSE JAMB COVER

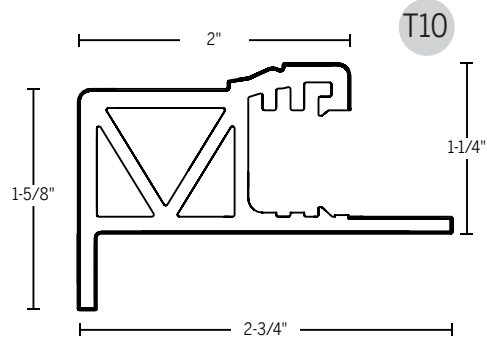
(Available for 4-9/16" & 6-9/16" Jamb Sizes)



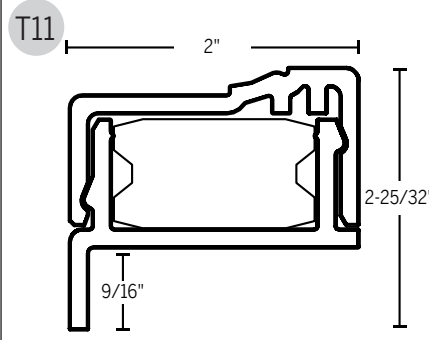
TRANSOM COVER



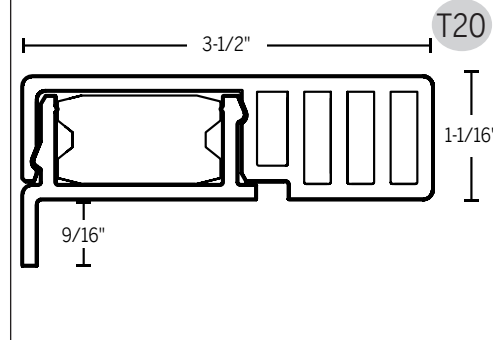
**1-PIECE BRICKMOULD WITH
9/16" RETURN LEG**



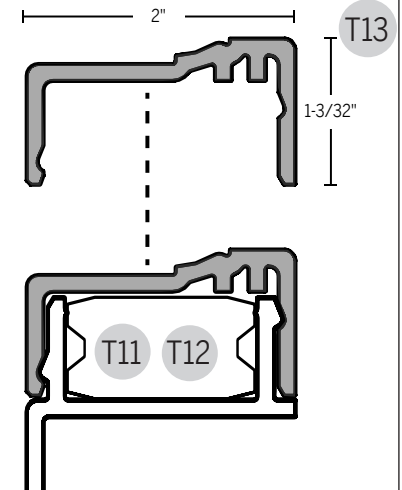
**2-PIECE BRICKMOULD WITH
9/16" RETURN LEG**



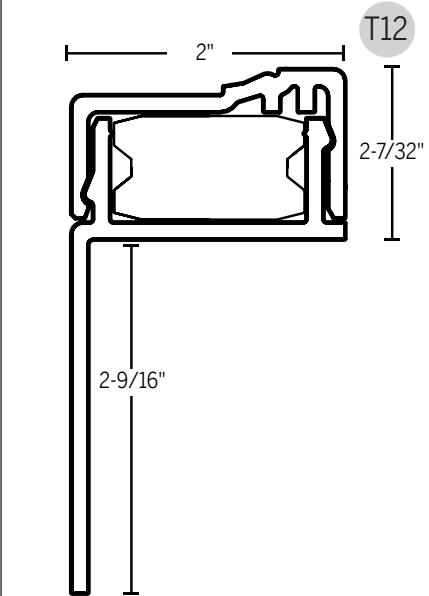
**2-PIECE FLAT CASING WITH
9/16" RETURN LEG**



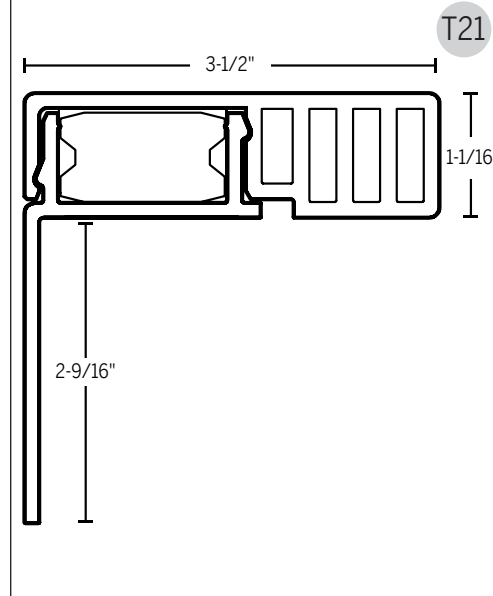
LOOSE WM180 COVER



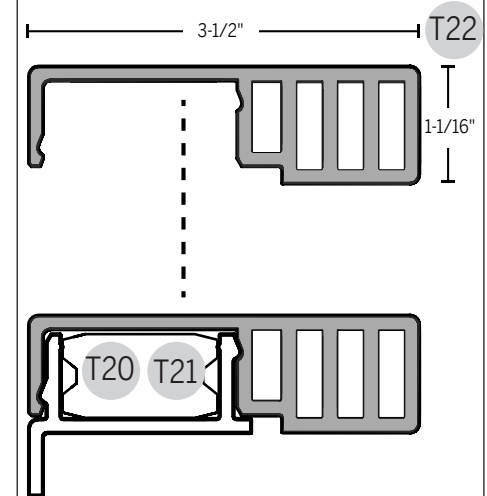
**2-PIECE BRICKMOULD WITH
2-9/16" RETURN LEG**



**2-PIECE FLAT CASING WITH
2-9/16" RETURN LEG**

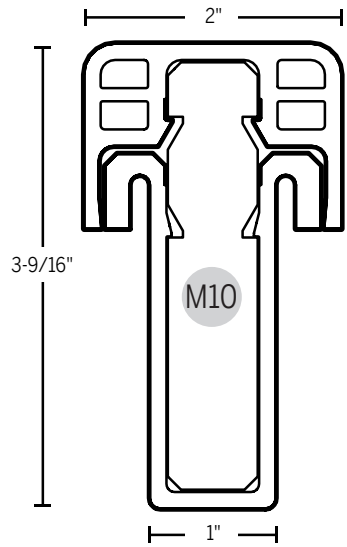


LOOSE FLAT CASING COVER

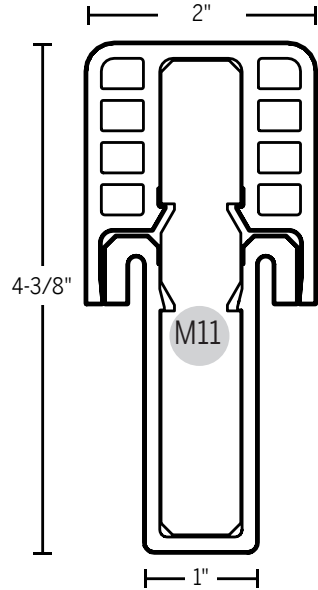


FRAMESAVER® FUSIONFRAME™ MULLS & ACCESSORIES

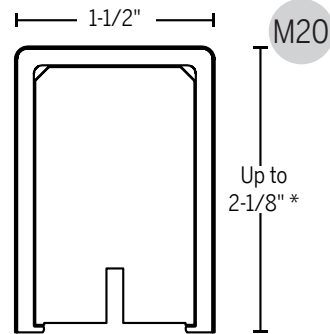
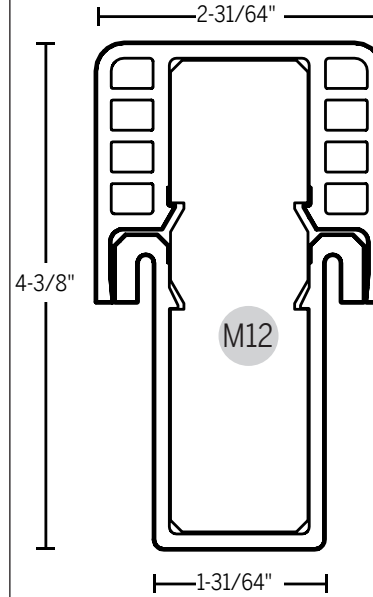
3-9/16" STANDARD MULL



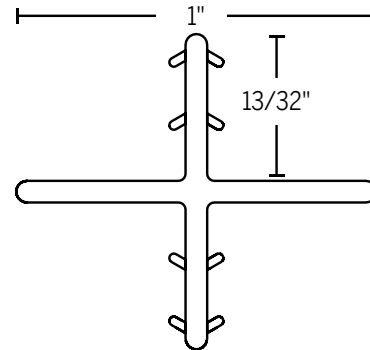
4-3/8" STANDARD MULL



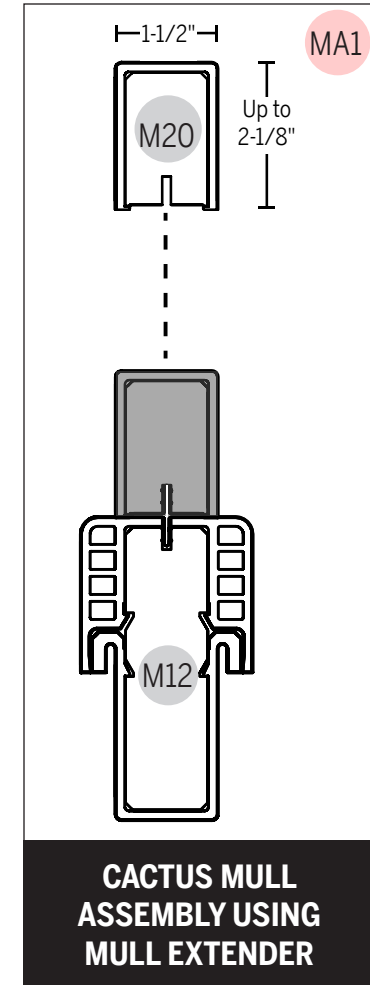
4-3/8" FATBOY MULL



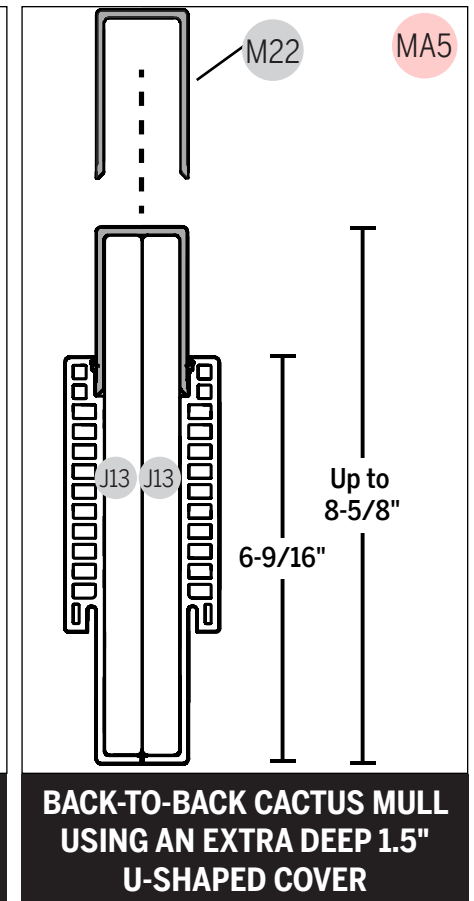
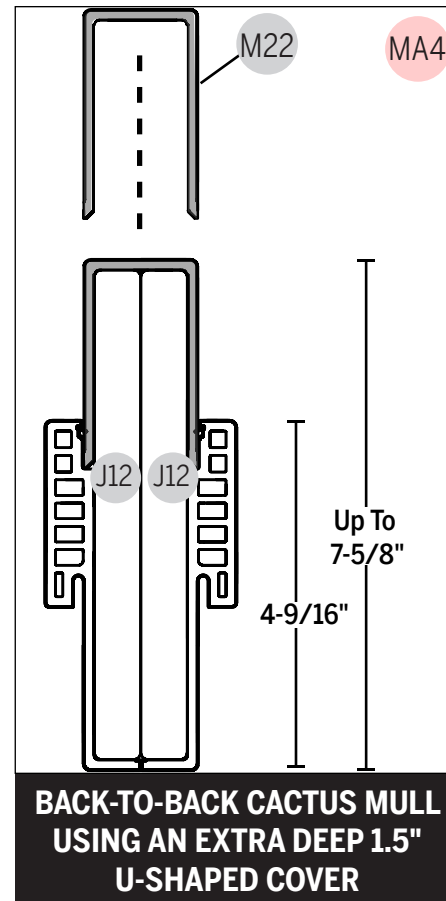
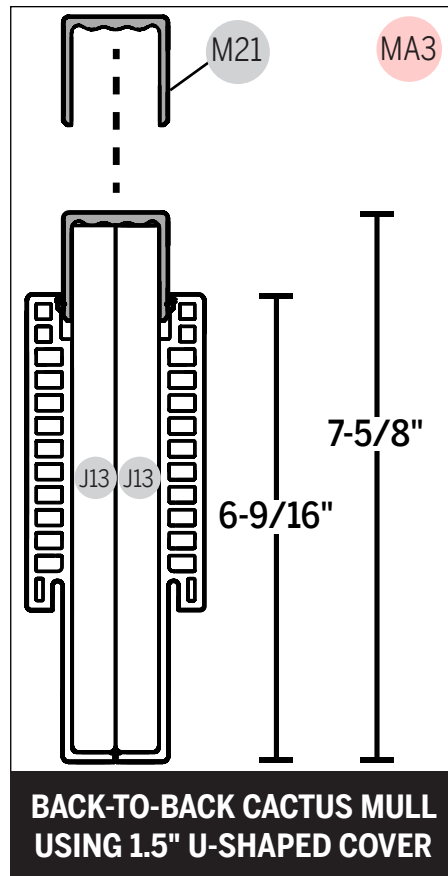
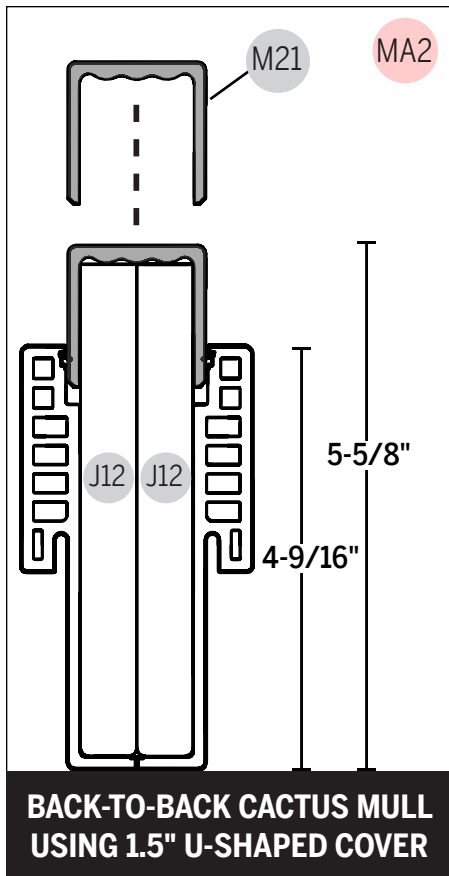
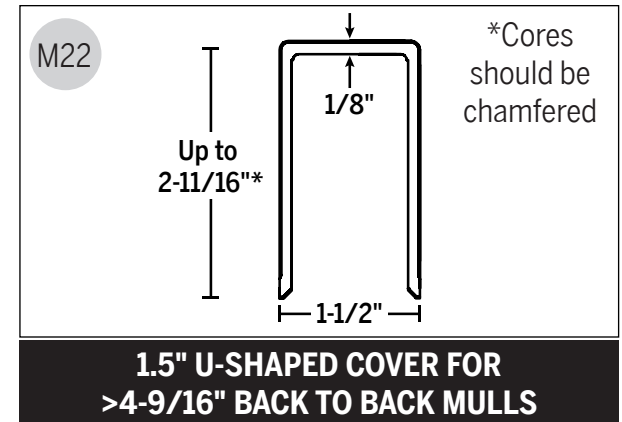
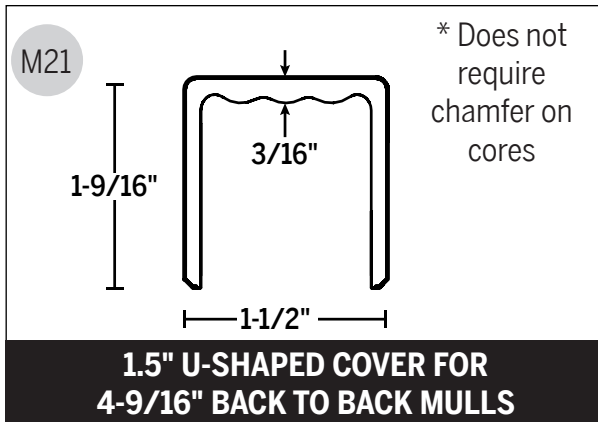
MULL EXTENDER
*Can be cut down



MULL ATTACHMENT
(MEXTATT-___)



CACTUS MULL ASSEMBLY USING MULL EXTENDER



FRAMESAVER® FUSIONFRAME™ BACK-TO-BACK MULL ACCESSORIES - SPREAD MULLS

