

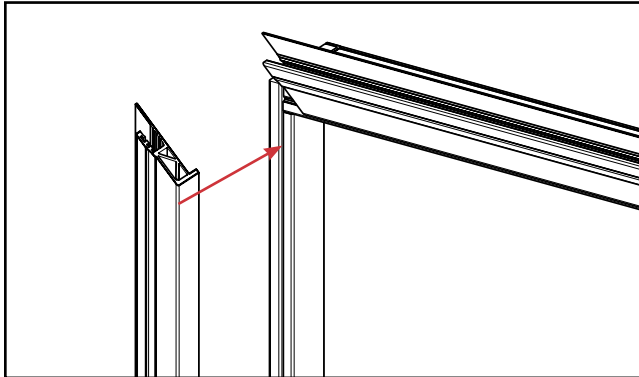
# FrameSaver® FusionFrame™

## Brickmould Corner Alignment

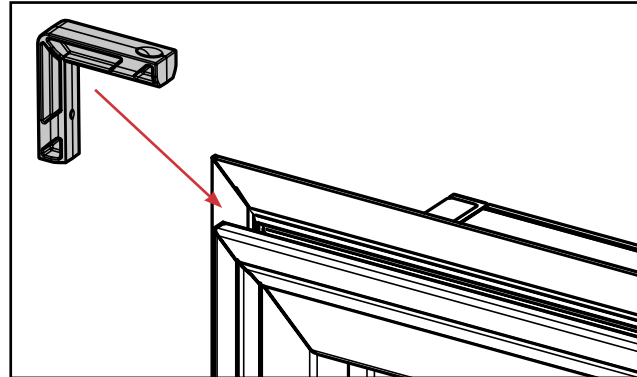


### FOR ONE-PIECE EXTERIOR TRIM:

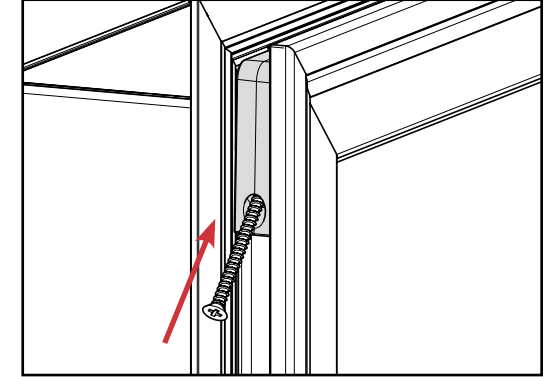
*A corner key will be available in Summer 2019*



**a.** Install the mitered brickmould into the jamb.



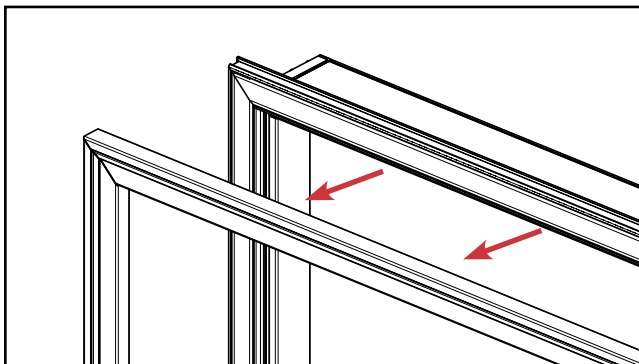
**b.** Place the corner key into the J-Channel of both brickmoulds.



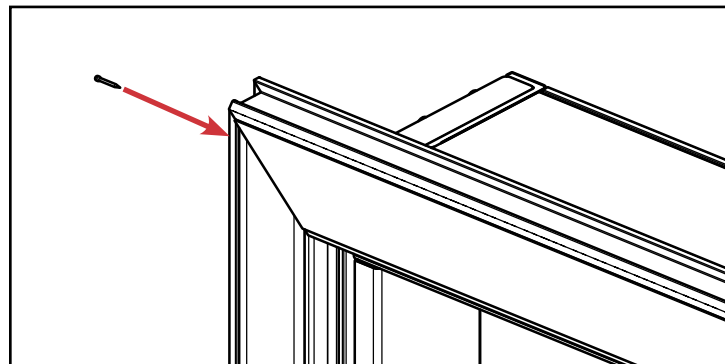
**c.** Secure the corner key with a wood screw and repeat on the other side.

*Please note that using this corner key will require notching of the siding around the corner key.*

### FOR TWO-PIECE EXTERIOR TRIM:



**a.** Remove the covers on the two piece brickmould installed around the frame.



**b.** Hold the mitered corners of the brickmould together and install a brad nail through the side casing into the header core. If using a screw, we recommend predrilling a pilot hole.