

Endura Security Flange Weatherstrip

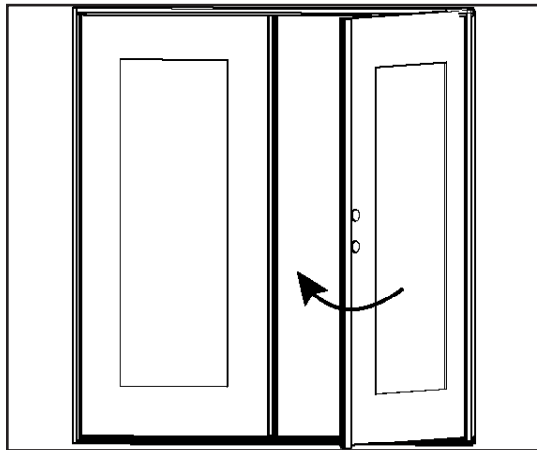
Replacement Instructions



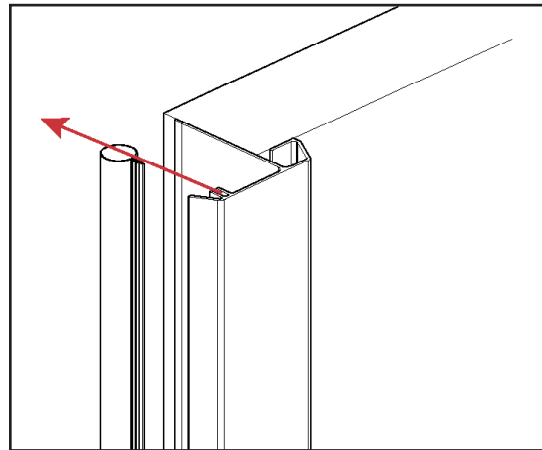
TOOLS AND SUPPLIES:

- Measuring Tape
- Pencil/ Marker
- Scissors
- Needle Nose Pliers (Optional)

STEP 1: REMOVE THE OLD WEATHERSTRIP FROM SECURITY FLANGE



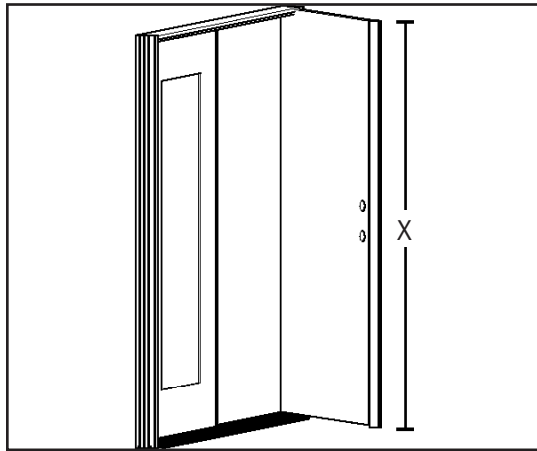
a. Open the door to expose the weatherstrip kerf slot on the security flange.



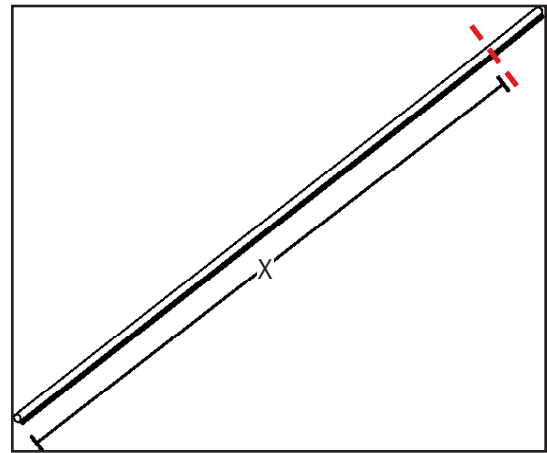
b. Remove the old weatherstrip, using the needle nose pliers if necessary. At this point, clean the kerf slot thoroughly before placing new weatherstrip.



STEP 2: CUT THE WEATHERSTRIP TO THE APPROPRIATE LENGTH

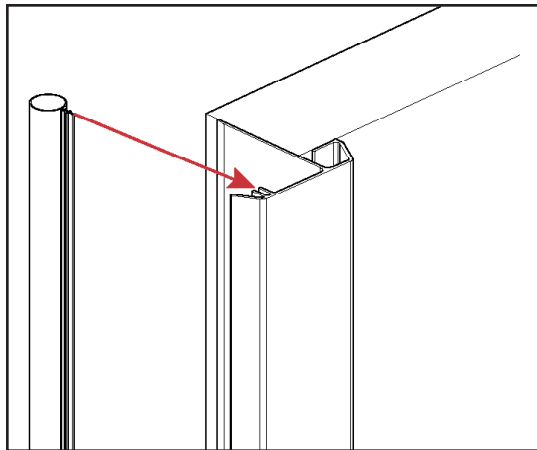


a. Measure the height of the security flange (X).



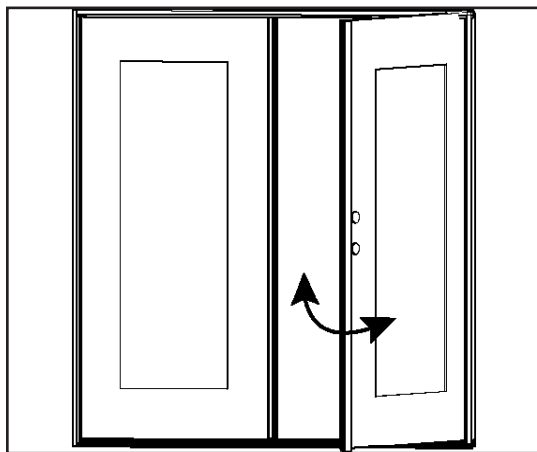
b. Cut the weatherstrip to match this height (X).

STEP 3: INSERT WEATHERSTRIP KERF INTO SECURITY FLANGE SLOT



Starting at the top, work your way down the security flange, firmly pressing the weatherstrip into the kerf slot.

STEP 4: CONFIRM PROPER INSTALLATION



Open and close the door to confirm that the weatherstrip does not interfere with opening and closing the door.