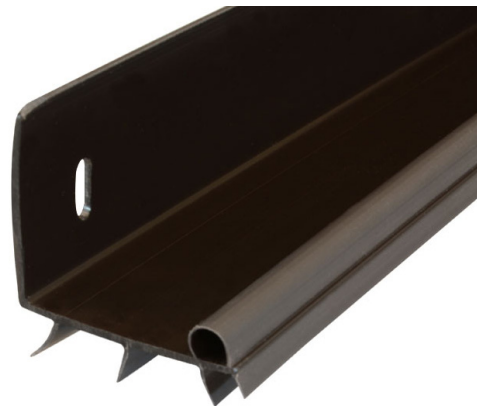


# Endura L-Shaped Screw-On Door Bottom

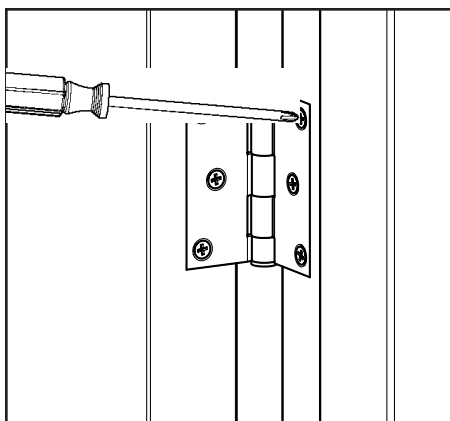


## Installation Instructions

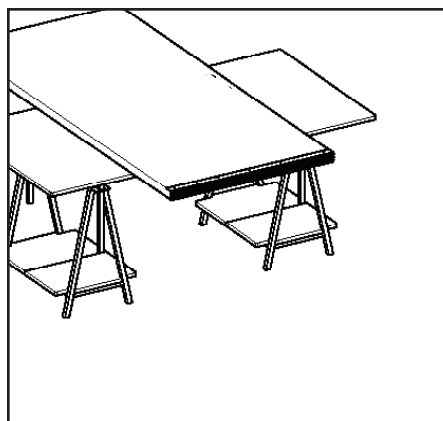
### TOOLS AND SUPPLIES:

- Phillips Screwdriver or Drill
- Putty Knife
- Tape Measure
- Marker
- Cutting Tool (Chop/Miter Saw **strongly** recommended)
- Exterior Grade Caulk
- Flat workspace, large enough for door panel

### STEP 1: REMOVE EXISTING DOOR PANEL FROM THE FRAME - WE RECOMMEND HAVING ANOTHER PERSON ASSIST WITH THIS STEP

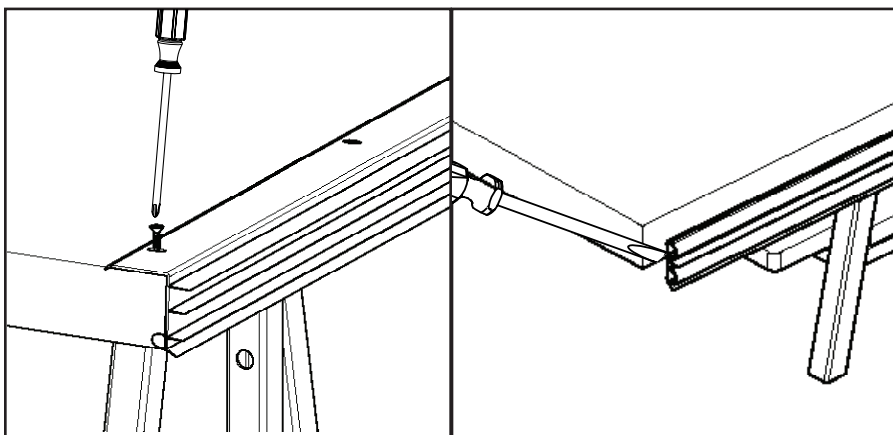


a. Open the door and locate the hinges. Using a Phillips screwdriver or drill, remove the screws from the hinge plate on the jamb.

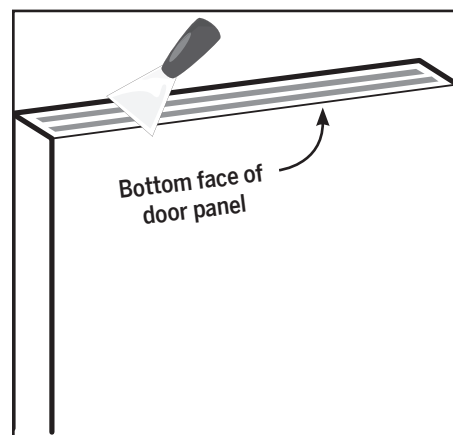


b. Repeat on other hinges. When door is loose from frame, carry it to a flat workspace where the panel can be laid horizontally.

## STEP 2: REMOVE THE OLD DOOR BOTTOM FROM THE PANEL

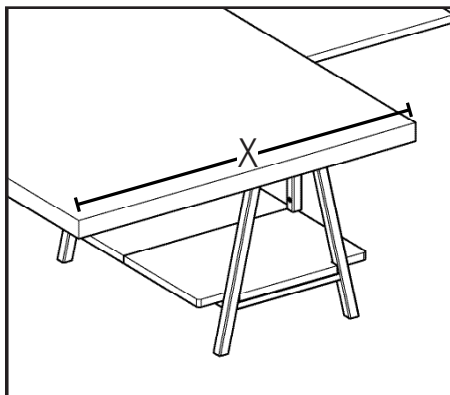


a. Remove the old door bottom from the door panel by removing the screws, if it was a screw-on door bottom. If the door bottom was staple-on, you may need to pry it off with a flathead screwdriver.

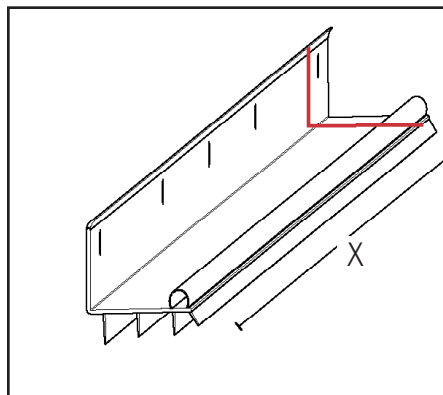


b. Remove any old residue or staples from the door panel's bottom face, using a putty knife or similar tool.

## STEP 3: PREPARE THE NEW DOOR BOTTOM

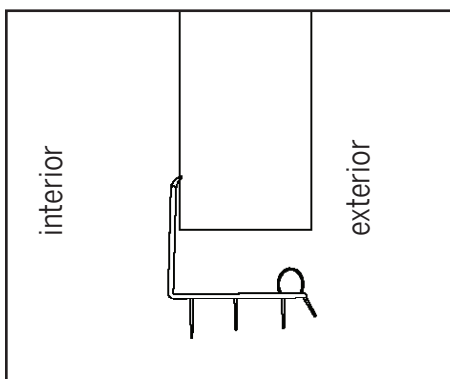


a. Measure the width of the door panel (X).

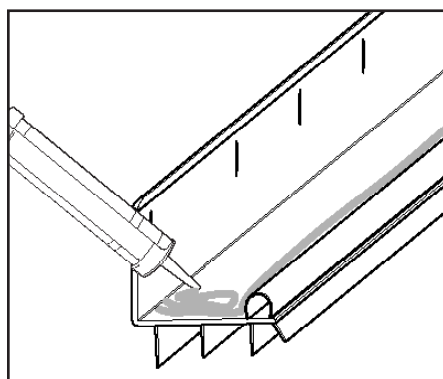


b. Measure and mark the same width (X) on the door bottom, measuring from one end. Cut the door bottom along this line.

## STEP 4: CAULK THE NEW DOOR BOTTOM

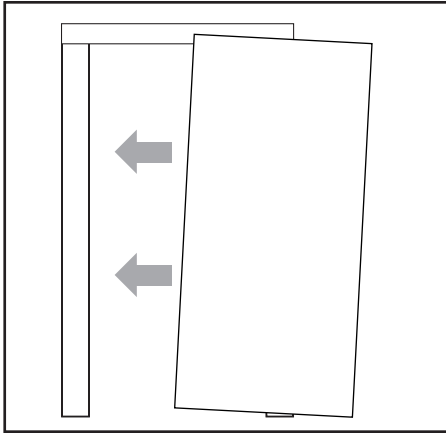


a. Orient the door bottom with the door panel as shown above.

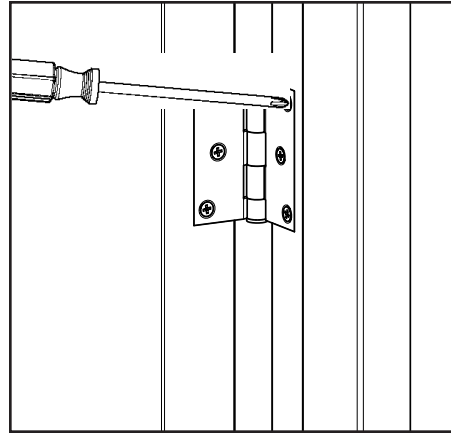


b. Apply exterior grade caulk along the edge of the door bottom that will be facing the exterior of the home. Thoroughly caulk each end of the door bottom.

## STEP 5: RETURN THE DOOR PANEL TO THE FRAME - WE RECOMMEND HAVING ANOTHER PERSON ASSIST WITH THIS STEP.

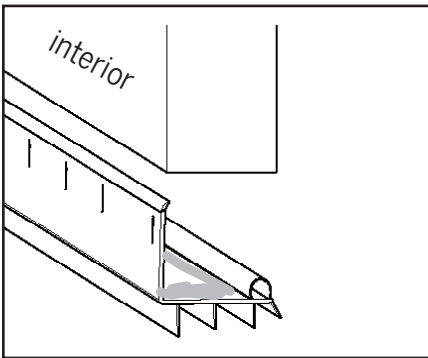


a. Realign the door panel with the hinges in the frame.

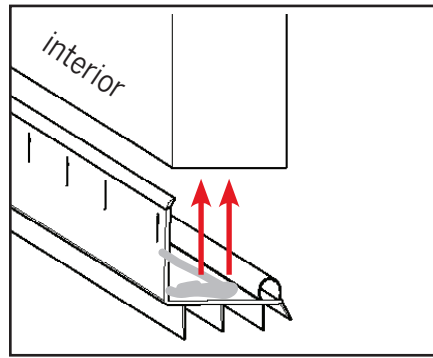


b. Reattach the hinges to the jamb with the screws. Confirm the door operates properly.

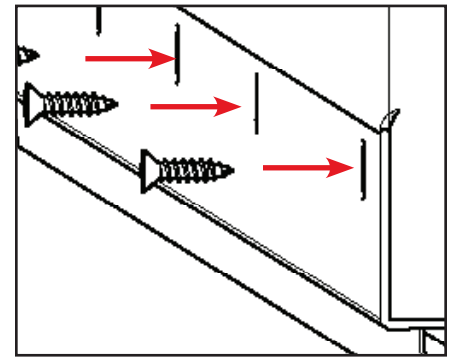
## STEP 6: INSTALL THE NEW DOOR BOTTOM



a. Align one end of the door bottom with the door panel edge on the lock side.



b. Using hand pressure, press the door bottom flush against the bottom of the door panel. Make sure the door bottom is flush down the length of the panel square at the ends.



c. Close the door panel and check that the door bottom meets the sill cap to provide proper weathersealing. Once the positioning is set, secure the door bottom to the door with the screws provided. Position screws in the center of the slots.