

Endura Kerfed Door Bottom for Z-Articulating Cap Sill®

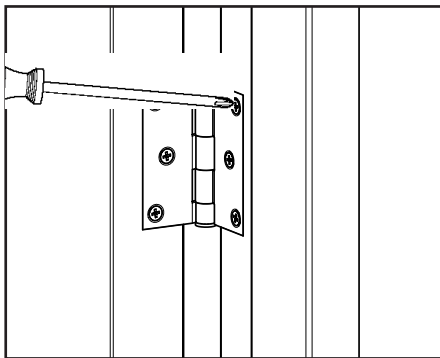


Installation Instructions

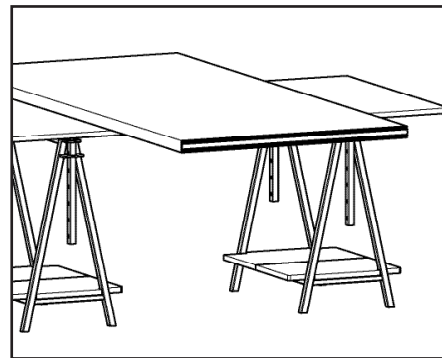
TOOLS AND SUPPLIES:

- Phillips Screwdriver or Drill
- Putty Knife
- Tape Measure
- Marker
- Cutting Tool (Chop/Miter Saw **strongly** recommended)
- Rubber Mallet
- Staple Gun
- 1/2" x 1/2" Staples
- Flat workspace, large enough for door panel

STEP 1: REMOVE EXISTING DOOR PANEL FROM THE FRAME - WE RECOMMEND HAVING ANOTHER PERSON ASSIST WITH THIS STEP



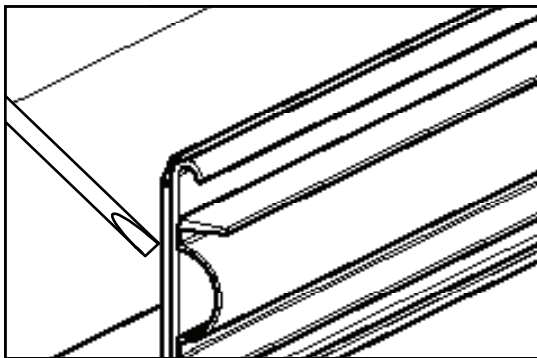
a. Open the door and locate the hinges. Using a Phillips screwdriver or drill remove the screws from the hinge plate on the jamb.



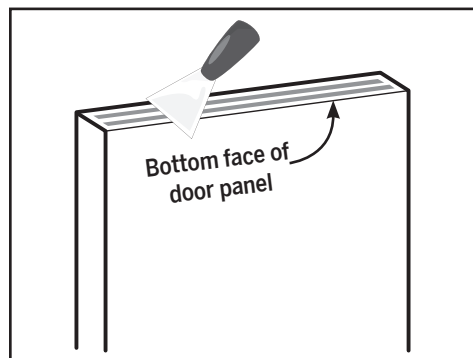
b. Repeat on other hinges. When door is loose from frame, carry it to a flat workspace where the panel can be laid horizontally.



STEP 2: REMOVE THE OLD DOOR BOTTOM FROM THE PANEL

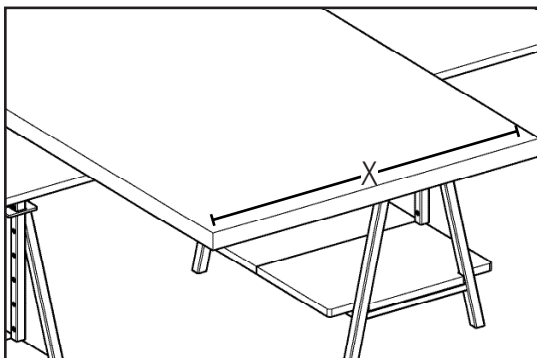


a. Remove the old door bottom from the door panel. Use a flathead screwdriver to pry the end of the door bottom off the panel.

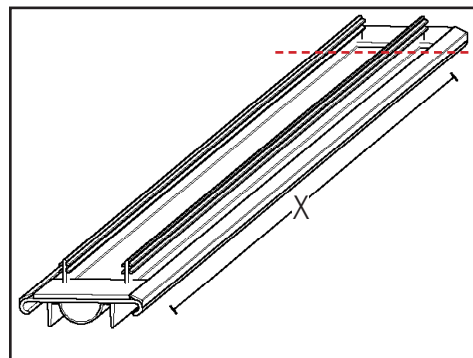


b. Remove any old residue or staples from the door panel's bottom face, using a putty knife or similar tool.

STEP 3: PREPARE THE NEW DOOR BOTTOM

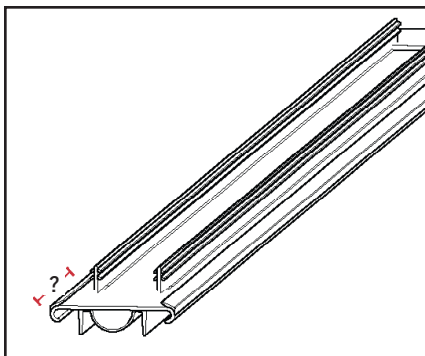


a. Measure the width of the door panel (X).

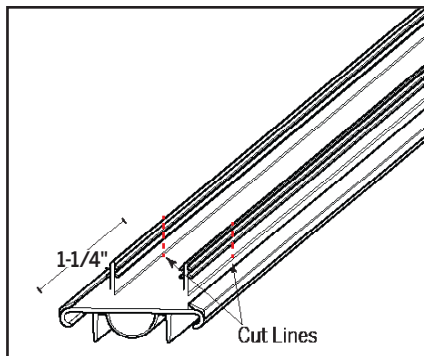


b. Measure and mark the same width (X) on the door bottom, measuring from one end. Cut the door bottom at this line.

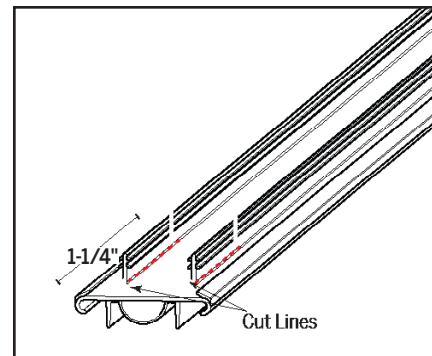
STEP 4: IF NECESSARY, RENOTCH THE KERF LEGS



a. Measuring from the cut end of the door bottom, determine if the notch is greater or less than 1-1/4". If the notch is greater than 1-1/4", move to step 5.

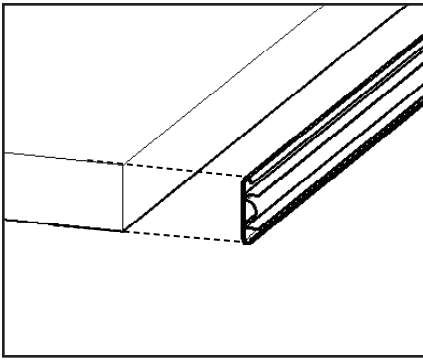


b. If the notch is less than 1-1/4", renotch the kerf legs. Measure 1-1/4" from the end of the door bottom and make a cut into the kerf legs.

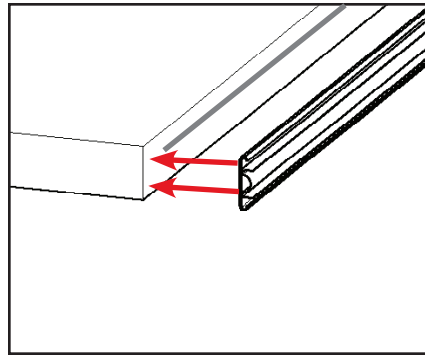


c. Cut the kerf legs, where they meet the door bottom until they are removed. Be sure to cut the kerf legs as close to the door bottom as possible to ensure a flat surface.

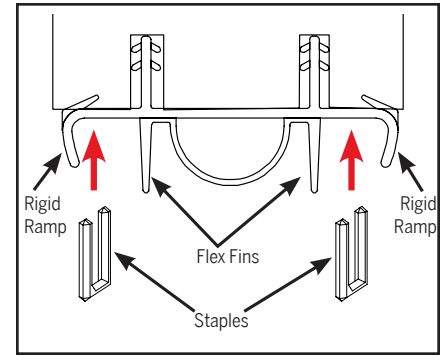
STEP 5: INSTALL THE NEW DOOR BOTTOM



a. Align one end of the door bottom with the door panel edge on the lock side.

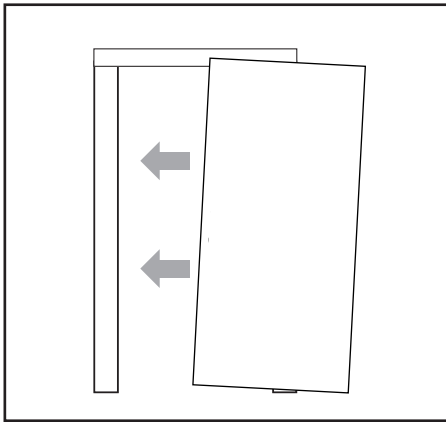


b. Using hand pressure (or a rubber mallet), fully insert the door bottom kerf legs into the panel slots, ensuring ends remain flush.

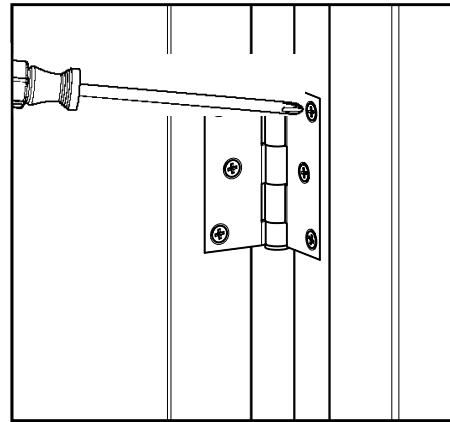


c. Complete insertion by moving along the length of the door bottom. Secure each end with a 1/2" x 1/2" light gauge staple.

STEP 6: RETURN THE DOOR PANEL TO THE FRAME - WE RECOMMEND HAVING ANOTHER PERSON ASSIST WITH THIS STEP



a. Realign the door panel with the hinges in the frame.



b. Reattach the hinges to the jamb with the screws previously removed. Confirm the door operates properly.