

Trilennium® SmartKey™ Retrofit

T TRILENNIUM®
MULTI-POINT LOCKING SYSTEMS

SMARTKEY™
RE-KEY TECHNOLOGY

Tools Required:

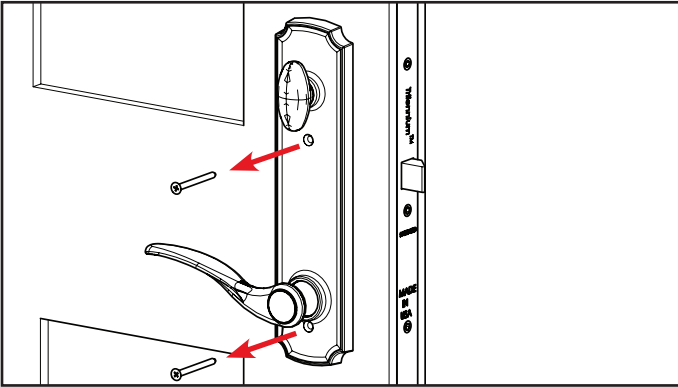


- Phillips Screwdriver

Kit Includes:

- SmartKey Cylinder with (2) Keys
- Retaining Clip
- #8 x 3/8" Self-Tapping Screw
- SmartKey Mounting Bracket

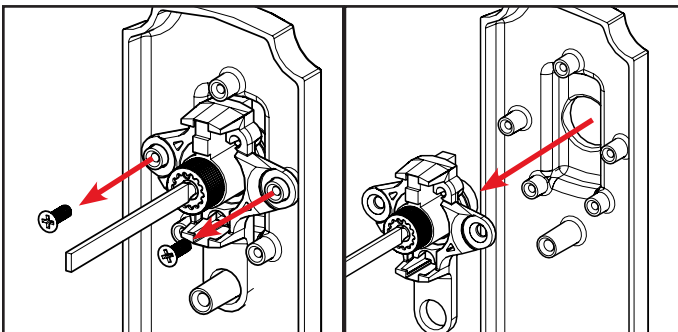
STEP 1: REMOVE THE HANDSET FROM THE DOOR PANEL



Remove the screws from the interior escutcheon, securing the handset to the door panel. Be sure to hold the exterior escutcheon so it does not fall.

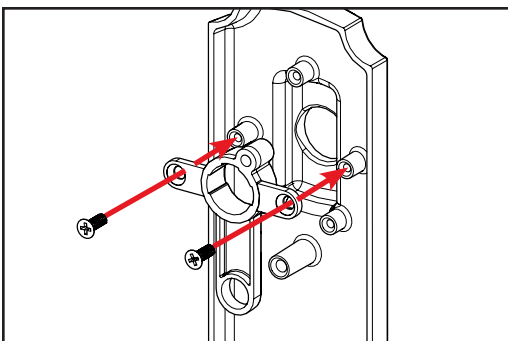
NOTE: There are loose pieces within the handset that may fall out.

STEP 2: REMOVE THE OLD KEY CYLINDER AND MOUNT

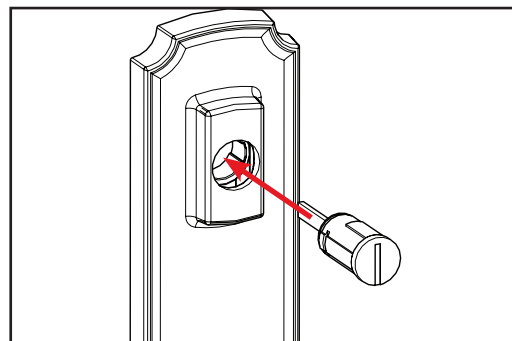


Remove the screws securing the mount into the escutcheon plate and set them aside. Remove the mount and lock cylinder from the handset.

STEP 3: INSTALL THE NEW CYLINDER MOUNT

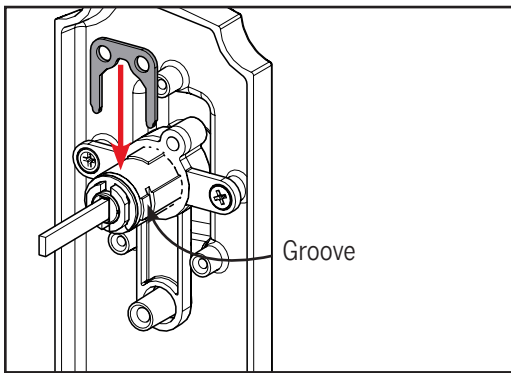


a. Align the new mount into the escutcheon as shown above. Use the screws removed from the previous mount to secure the new mount into the escutcheon.

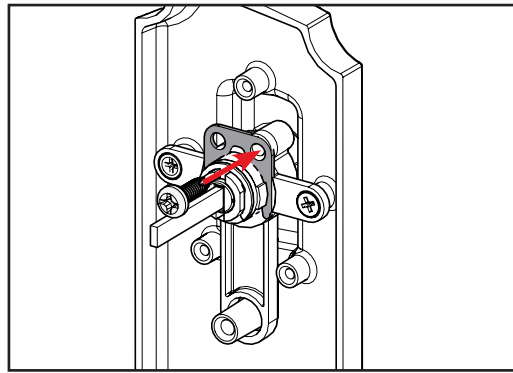


b. Remove the key from the new lock cylinder. Insert the lock cylinder into the mount from the exterior of the escutcheon plate with the smooth side towards the bottom of the mount and the raised portions on the top and side.

STEP 3 (CONT.): INSTALL THE NEW CYLINDER MOUNT

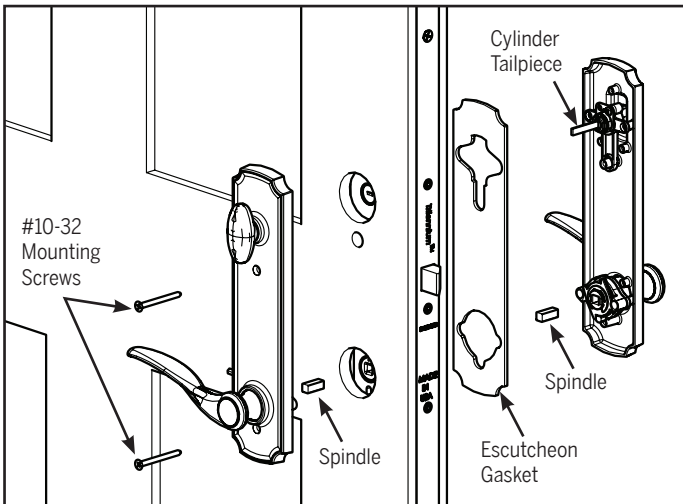


c. Insert the retaining clip into the groove on the cylinder as shown above.



d. Secure the lock cylinder and retaining clip with the #8 x 3/8" self-tapping screw.

STEP 4: REINSTALL THE HANDSET ONTO THE DOOR PANEL



Exterior First:

- Place the escutcheon gasket over the inside face of the escutcheon.
- Guide the cylinder tailpiece and spindle into the respective hubs in the hardware.
- Hold in place

Interior Next:

- Align the receiving slot in the thumbturn with the cylinder tailpiece.
- Guide the spindle into the hub in the hardware.
- Secure with the two #10-32 mounting screws from interior to exterior. **Do not overtighten.**

STEP 5: CHECK FUNCTION OF THE HANDSET AND LOCK

- All three lock bolts should engage strikes as door is closed.
- Turn thumbturn 90° to extend bolts (all three) an additional 1/2" to deadbolted position.
- Rotate interior lever downward to disengage bolts and open door. Bolts can also be moved to latched position by turning thumbturn.
- Engage deadbolt again. From the exterior, confirm that the lever cannot rotate and disengage the latches (door is deadbolted). With key, confirm that the door can be unlocked and then opened by rotating the lever downward.



8817 W. Market St., Colfax, NC 27235
1.800.334.2006 www.enduraproducts.com