

Trilennium[®] Magnum Bolt

Installation Instructions



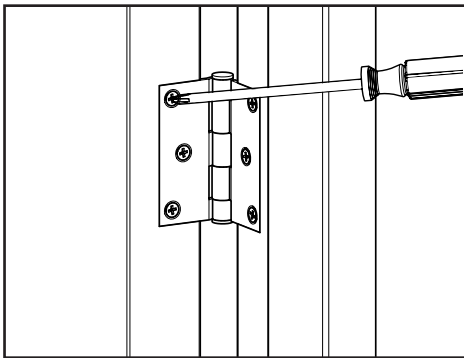
TOOLS AND SUPPLIES:

- Phillips Screwdriver
- #8 Pan-Head Sheet Metal Screws
 - 2 Screws for 9" Magnum Bolts
 - 3 Screws for 19" Magnum Bolts
- Pencil
- Measuring tape
- Router with 1" diameter bit (Only if you need to route your door for a new Magnum Bolt)
- Workspace, where you can clamp the door panel vertically.

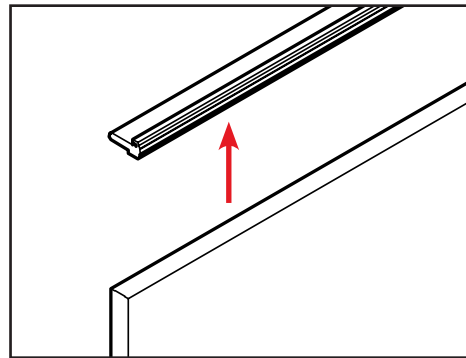
PART A: ROUTING DOOR (Only for new doors/first time installations)

STEP 1: REMOVE EXISTING DOOR PANEL FROM FRAME AND ASTRAGAL FROM PANEL

We recommend you use another person for assistance with this step.

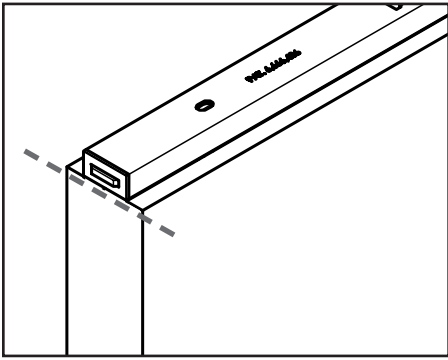


a. Loosen screws at the hinges on the door panel. Repeat on other hinges. Set the door with the hinge side down and clamp it to something to give you a stable work surface.

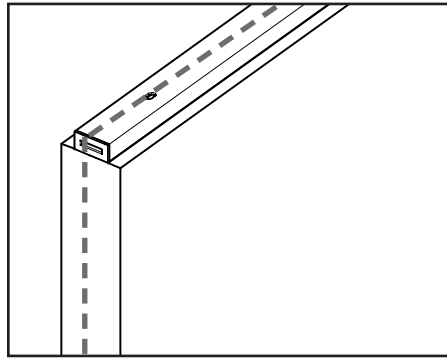


b. Remove the astragal from the door panel. Be sure to keep the fasteners to use when reinstalling.

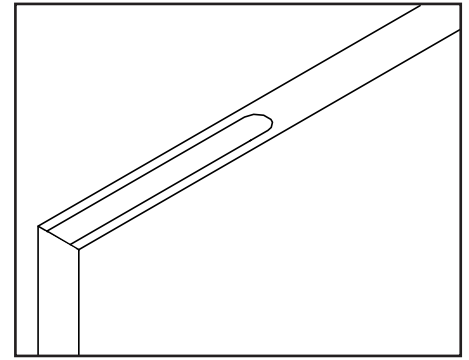
STEP 2: DETERMINE LOCATION OF MAGNUM BOLT



a. Align the retracted Magnum Bolt with the top or bottom of the door panel, depending on your desired location.

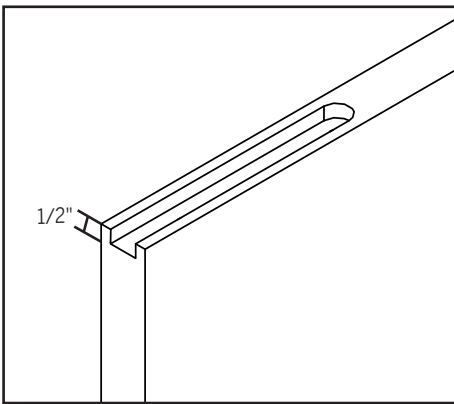


b. Center the bolt along the width of the door and trace around the bolt.



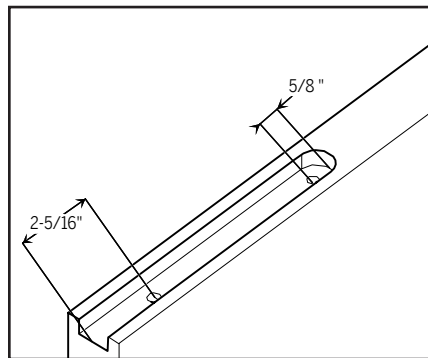
c. Check that the traced outline is centered on the door and flush with the end.

STEP 3: CREATE 1/2" DEEP GROOVE IN DOOR

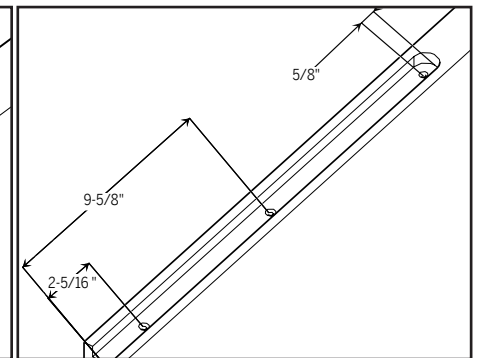


a. Use a router with a 1" diameter bit to create the groove within the lines you traced in the previous step.

FOR 9" MAGNUM BOLTS



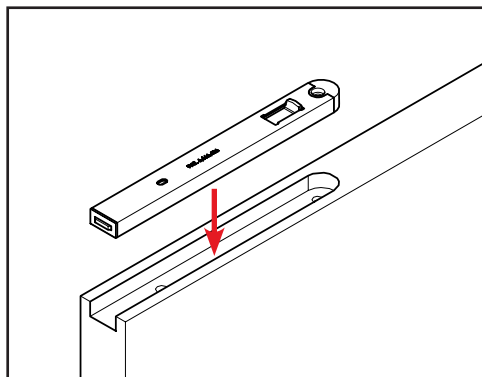
FOR 19" MAGNUM BOLTS



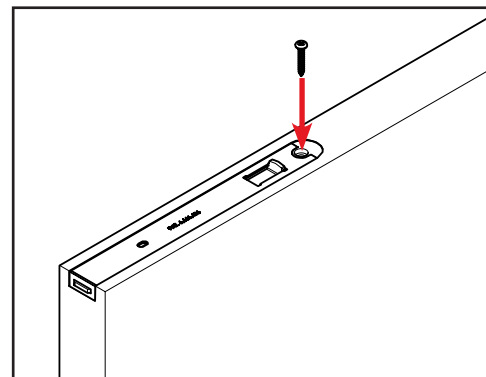
b. Drill two pilot holes into the door panel, using the dimensions shown above. Clean out the groove, removing all the shavings.

PART B: INSTALLING MAGNUM BOLT

STEP 4: INSTALL MAGNUM BOLT INTO GROOVE



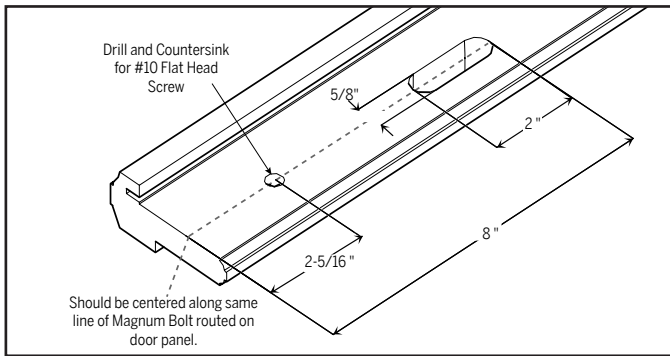
a. Place the new Magnum Bolt into the groove.



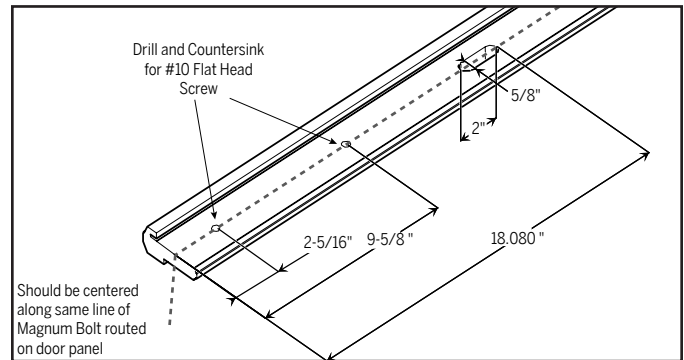
b. Screw the Magnum Bolt into the panel securely.

STEP 5: PREPARE AND REINSTALL ASTRAGAL

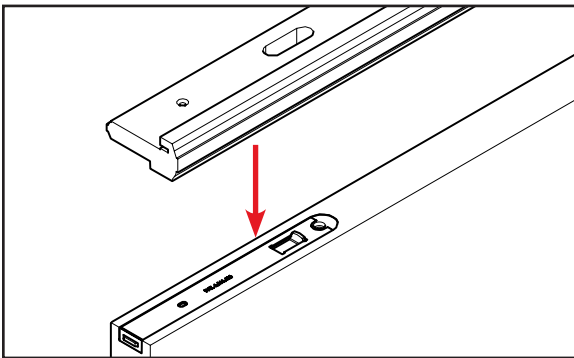
FOR 9" MAGNUM BOLT



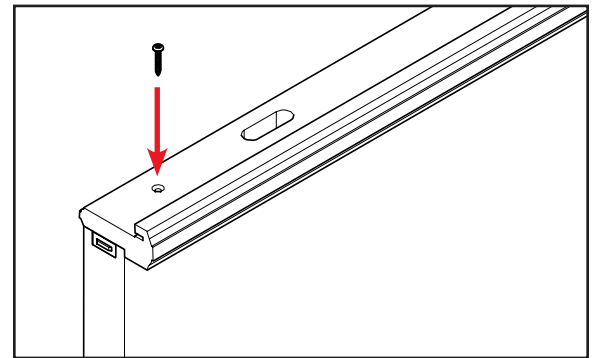
FOR 19" MAGNUM BOLT



a. Prepare the astragal with the holes shown above to allow for Magnum Bolt access.



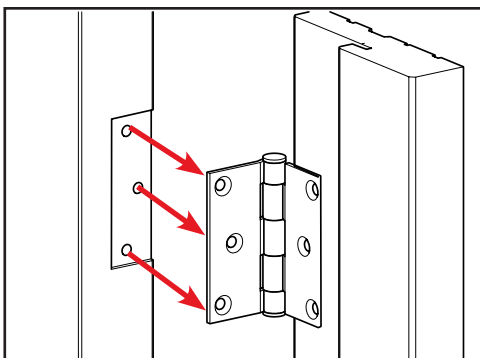
b. Reinstall the astragal to the door panel, over the Magnum Bolt. Confirm the holes on the astragal provide proper access to the Magnum Bolt.



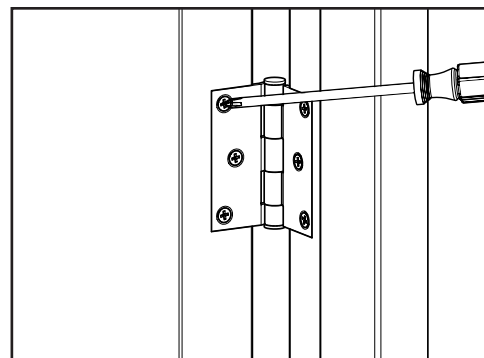
c. Secure the astragal through the Magnum Bolt to the door panel using a screw through the hole(s) you drilled into the astragal that align with the holes in the Magnum Bolt.

STEP 6: REINSTALL DOOR PANEL

We recommend you use another person for assistance with this step.



a. Realign the door panel with the hinges on the frame.



b. Reattach the hinges to the jamb with the screws. Confirm the door operates properly.