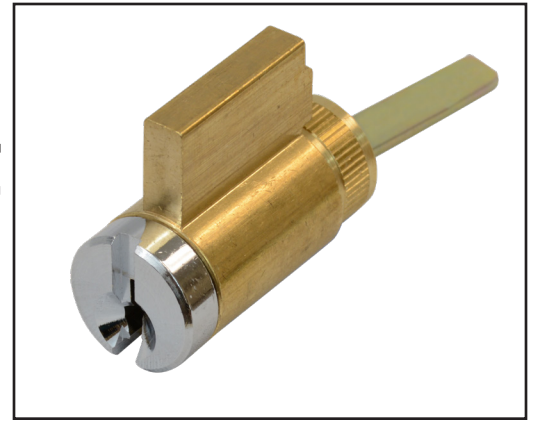


Key Cylinder for Trilennium® Multi-Point Locks

Installation Instructions

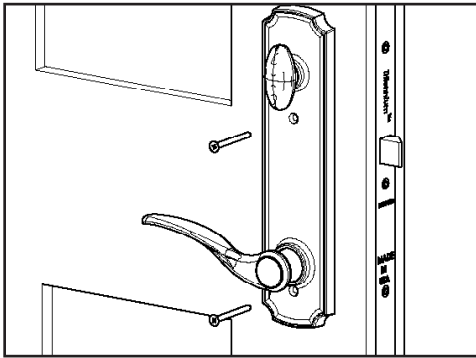


Tools Required:



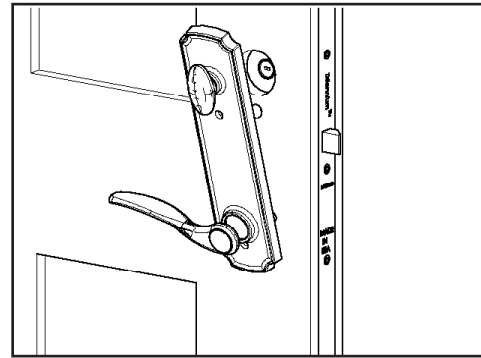
Phillips
Screwdriver

STEP 1: REMOVE HANDSETS FROM THE DOOR



a. Remove the 2 mounting screws on the interior handset that are securing both plates together.

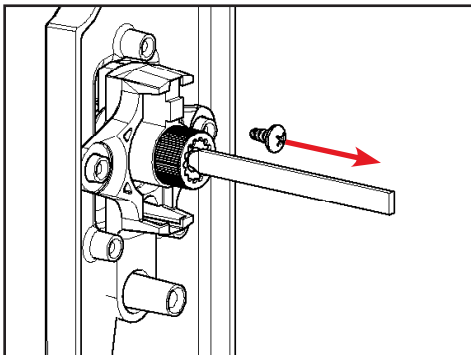
NOTE: Do not lose these screws. You will need them to reattach the handset.



b. Carefully remove the plates from the door panel.

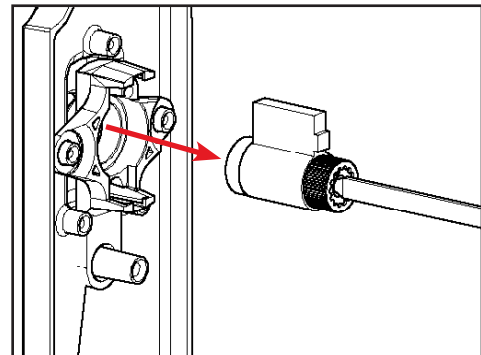
NOTE: There are loose pieces that may fall out as the plates are removed - do not lose these pieces.

STEP 2: REMOVE THE OLD KEY CYLINDER



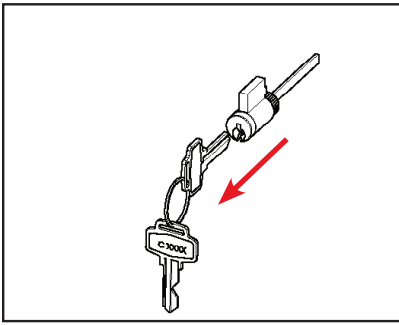
a. Remove the screw securing the current key cylinder.

NOTE: Do not lose this screw. You will need it to install the new cylinder.

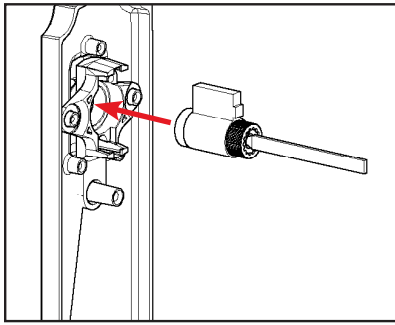


b. Remove the key cylinder from the handset faceplate.

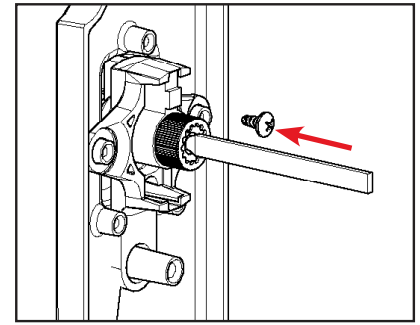
STEP 3: INSTALL THE NEW KEY CYLINDER



a. Remove the keys from the key cylinder.

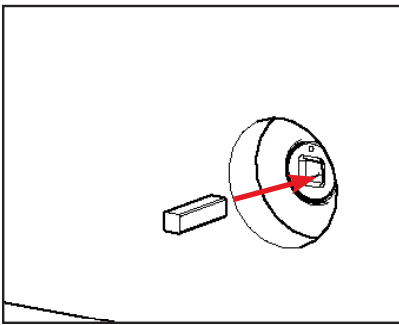


b. Insert the key cylinder into the upper hole from the back side of the faceplate with the tab pointing up.

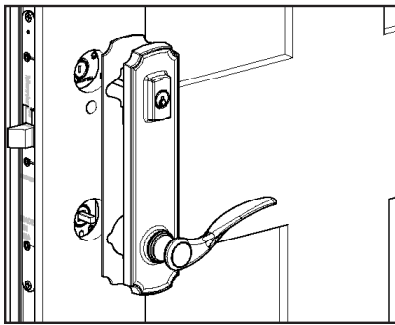


c. Secure the cylinder using the tapping screw you removed in step 2.

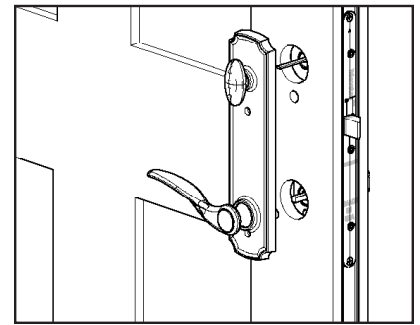
STEP 4: RETURN THE HANDSETS TO THE DOOR



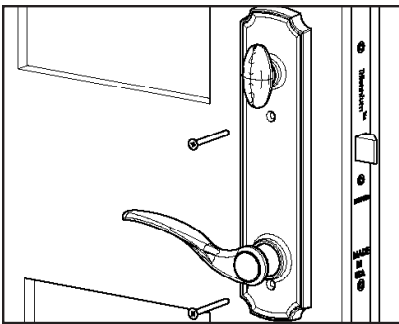
a. If the square spindles fell out of the lock when the faceplates were removed, reinsert them into their hubs within the lock.



b. Start with the exterior handset. If the gasket is still present, align it with inside face of the faceplate. Guide the cylinder tailpiece and handle cartridge into the respective hubs on the lock hardware. Hold in place.



c. With the interior handset, guide the thumb-turn receiving slot towards the cylinder tailpiece and align the handle cartridge with the spindle. Both handsets should lay flush against the door panel.



d. Secure the handsets with the mounting screws from the interior to exterior. Do not overtighten.