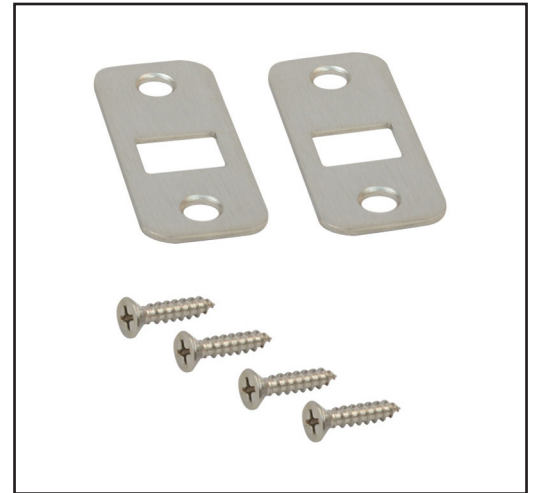


Head and Sill Strike Kit for Trilennium[®] Magnum Bolt

Installation Instructions

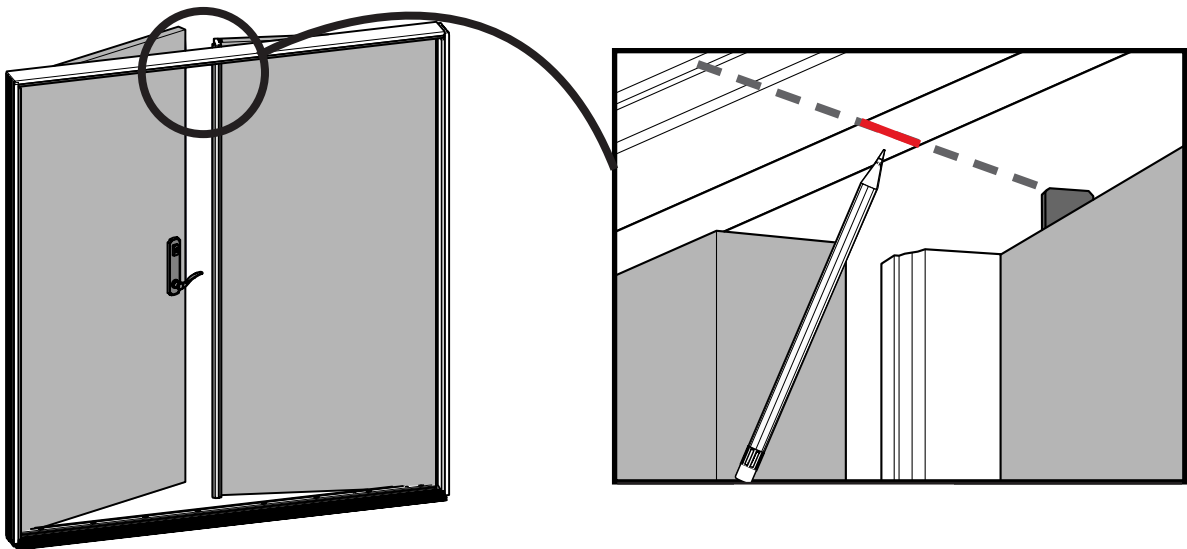
Tools Required:

- Pencil/Marker
- Measuring Tape
- Drill



Part A: Install Strike Plate on Header

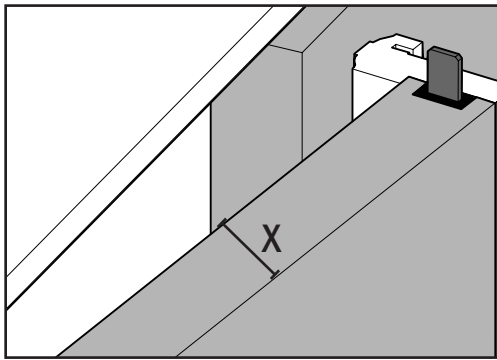
STEP 1: DETERMINE PLACEMENT OF HEADER STRIKE PLATE



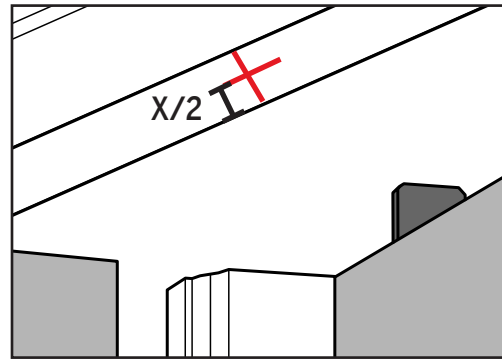
Close the inactive door and engage the magnum bolts. Mark where the lock meets the header. This will serve as a reference point to mount the strike plate.



STEP 2: ALIGN THE PLATE ALONG THE CENTER LINE OF THE DOOR

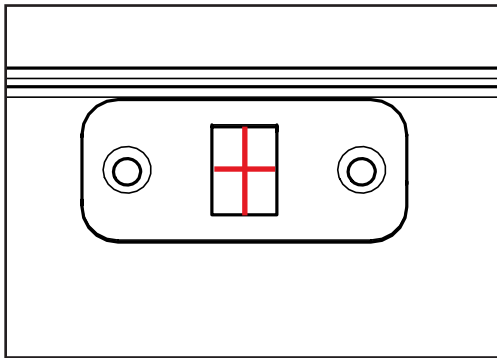


a. Measure the thickness of the door panel (x).

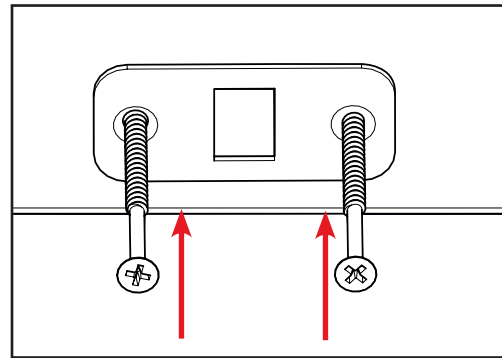


b. Divide this thickness (X) in half and mark that distance on the header. This will help you center the plate.

STEP 3: SCREW IN PLATE TEMPORARILY

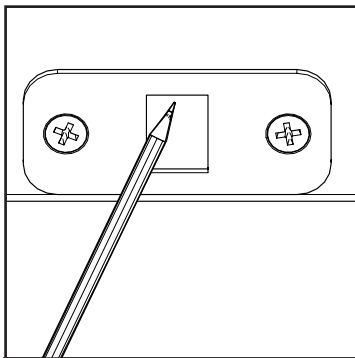


a. Using the marks from Steps 1 and 2, line up the strike plate on the header.

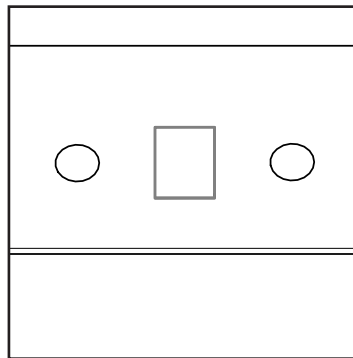


b. Spot drill the location of the screw holes. Once spot drilled, secure the plate into the header temporarily with the screws provided.

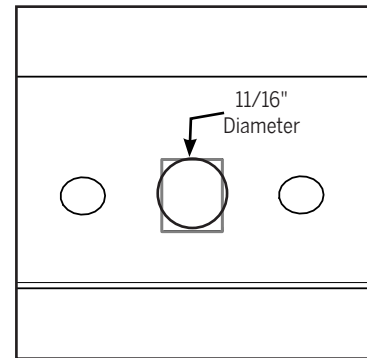
STEP 4: DRILL THE HOLE FOR THE BOLT



a. Trace the rectangular space of the strike plate with a pencil to use as a template to drill the holes.



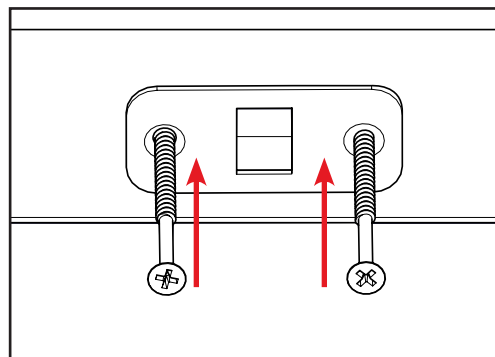
b. Unscrew and remove the strike plate.



c. Drill into the header using an 11/16" diameter drill bit to create a space at least 1" deep.

STEP 5: SECURE STRIKE PLATE INTO HEADER

Return the strike plate to the exact position it was before (Steps 3 & 4) and screw into place.

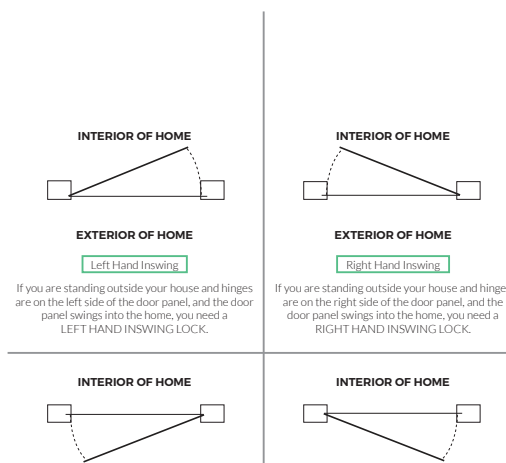


Note: You will only be able to confirm proper installation of the header strike plate after you install the strike plate on the sill and are able to fully close the door. Proceed to Part B for sill strike plate installation.

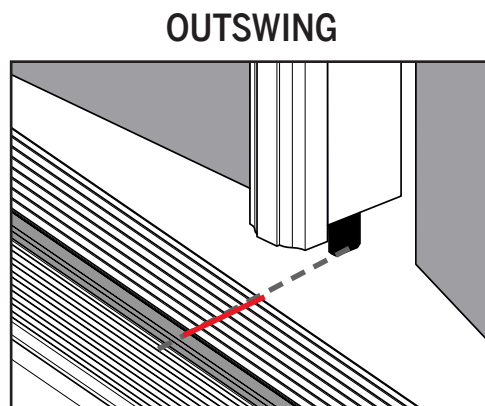
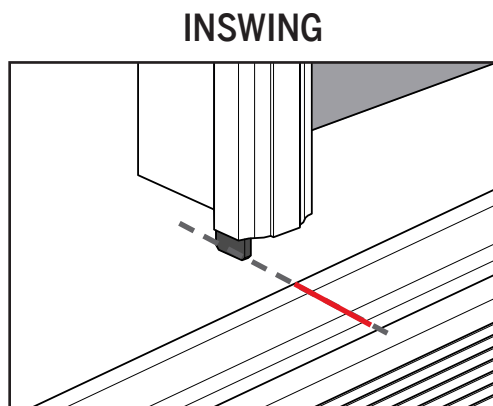
Part B: Install Strike Plate on Sill

STEP 6: DETERMINE SWING OF THE DOOR

For inswing doors, the strike plate will be installed on the sill cap. For outswing doors, the strike plate will be installed on the sill deck.



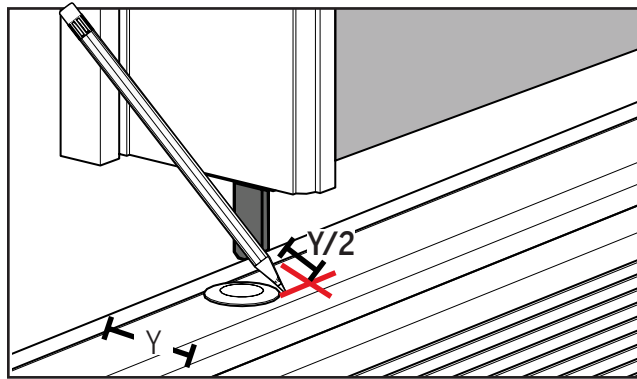
STEP 7: DETERMINE PLACEMENT OF SILL STRIKE PLATE



Close the inactive door and turn the lock to engage the upper and lower bolts. Mark where the lock meets the sill cap or deck. This will serve as a reference point to mount the strike plate.

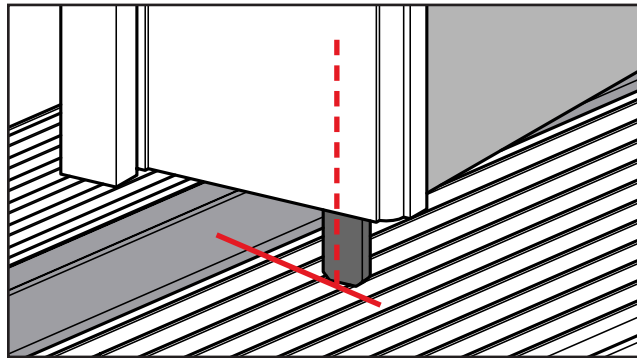
STEP 8: ALIGN THE PLATE ALONG THE CENTER LINE OF THE DOOR

IN SWING



Measure the width of the sill cap (Y) and mark the center point (Y/2).

OUT SWING

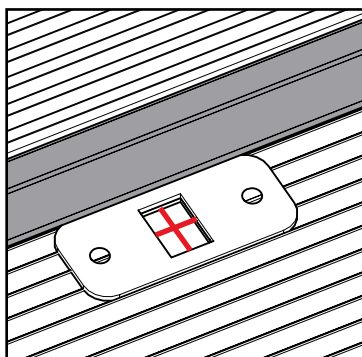
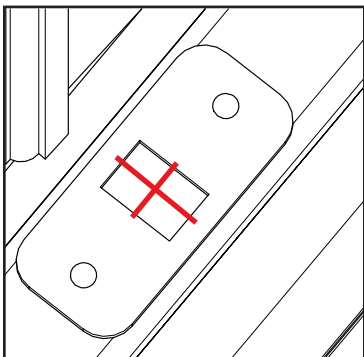


Close the door until the length of the door panel is parallel to the sill cap. Mark the centerline of the door panel onto the sill deck.

STEP 9: SCREW IN PLATE TEMPORARILY

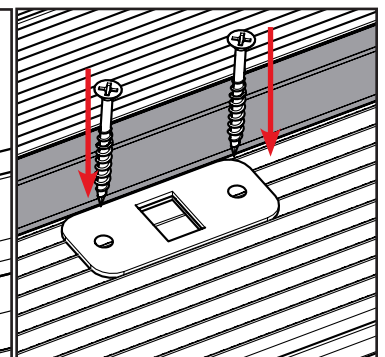
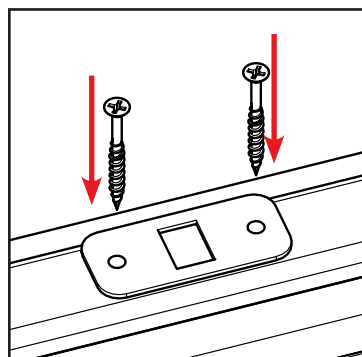
IN SWING

OUT SWING



IN SWING

OUT SWING

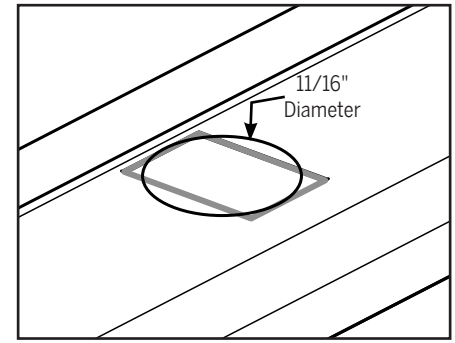
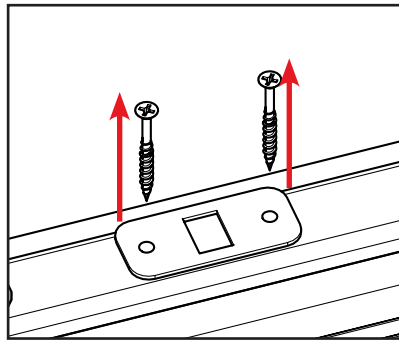
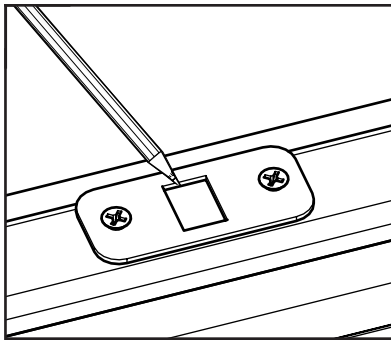


a. Using the marks you have made in Steps 7 and 8, line up the strike plate on the sill cap or deck.

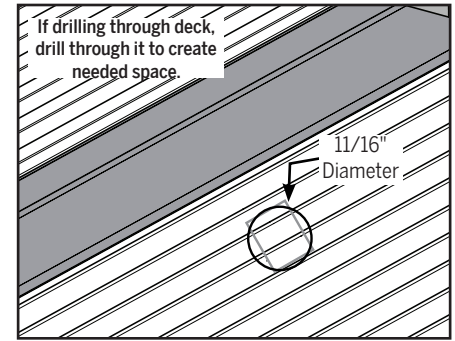
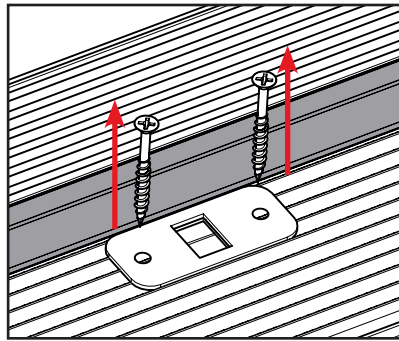
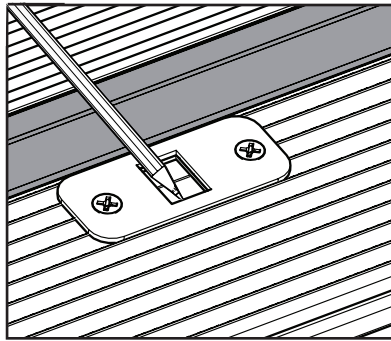
b. Spot drill the location of the screw holes. Once spot drilled, fully secure the plate into the sill with the screws provided.

STEP 10: DRILL THE HOLE FOR THE BOLT

IN SWING



OUT SWING



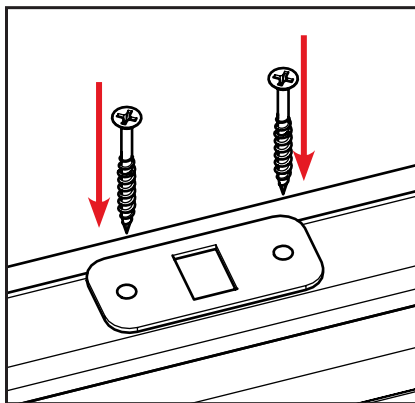
a. Trace the rectangular space of the strike plate with a pencil to use as a template to drill the holes.

b. Unscrew and remove the strike plate.

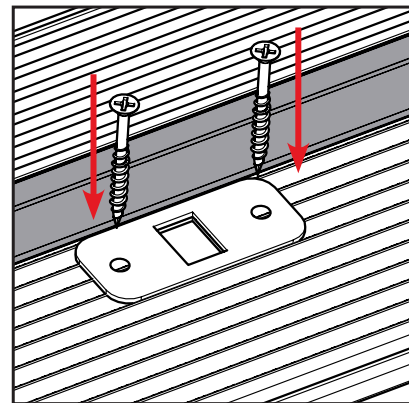
c. Drill into the sill cap or deck using an 11/16" diameter drill bit to create a space at least 1" deep.

STEP 11: SECURE STRIKE PLATE ONTO SILL

IN SWING



OUT SWING



Return the strike plate to the exact position it was before (Steps 9 & 10) and screw into place.

STEP 12: CONFIRM PROPER INSTALLATION

Close the door and engage the bolts to ensure the proper placement of the strike plates.