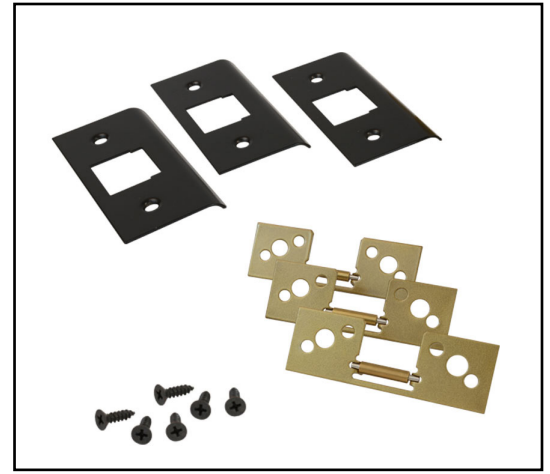
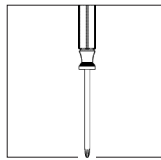


# Reinforcing Strike Plates for Endura Ultimate Trilennium<sup>®</sup> Compatible Astragal

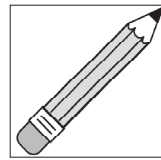


## Installation Instructions

### Tools Required:

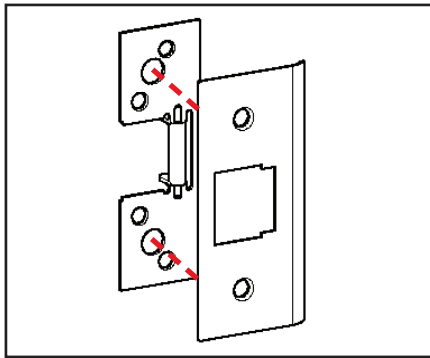


Phillips  
Screwdriver

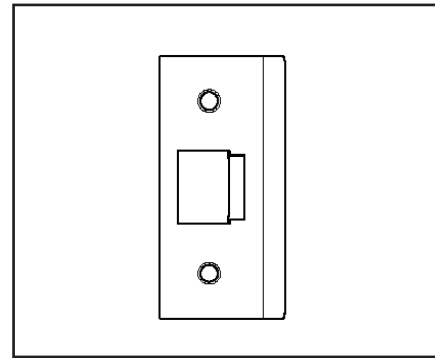


Pencil

### STEP 1: SETUP THE NEW PLATES



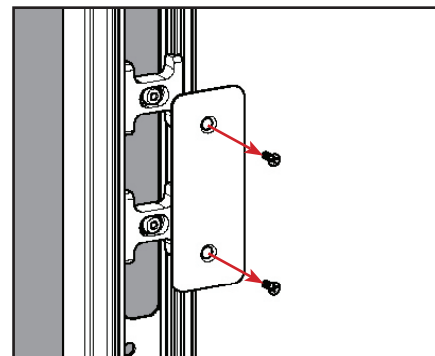
a. Attach the reinforcing plate to the strike plate by aligning the screw holes.



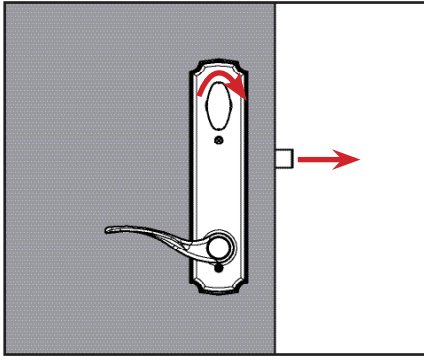
b. Orient the plates as shown.

### STEP 2: REMOVE EXISTING STRIKE PLATE

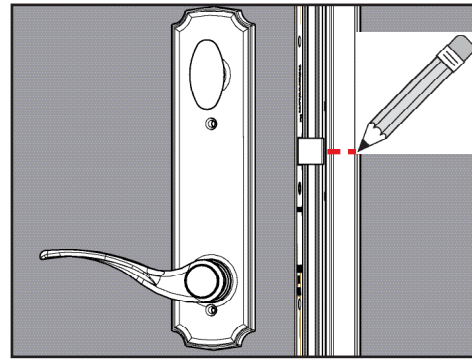
Remove the screws that secure the strike plate currently in the astragal and remove the plate.



## STEP 3: DETERMINE PLATE LOCATION

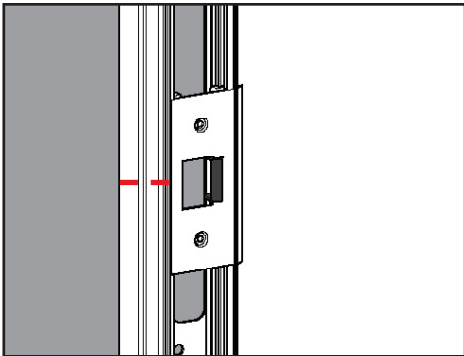


a. With the door slightly open, turn the Trilennium® lock to engage the deadbolts.

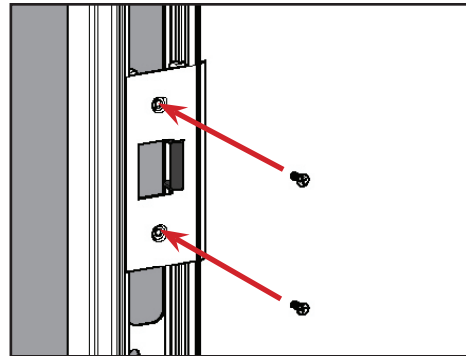


b. Mark the spot where the deadbolts would meet the astragal. This will be a guide to center the new strike plate.

## STEP 4: INSTALL NEW PLATE KITS



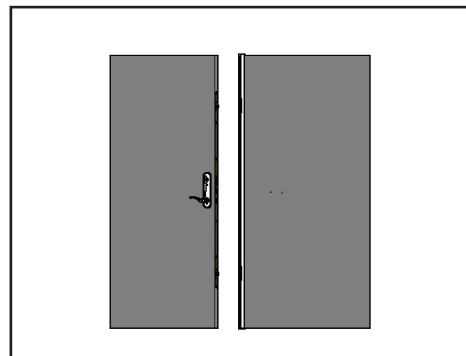
a. Place the plates against the retainer, being sure to center the plate with the mark you made in Step 3.



b. Screw in the strike plate to secure them on the retainer. Repeat for all strike plate locations.

## STEP 5: CONFIRM PLACEMENT

Close and lock the door to confirm the deadbolts align properly with the strike plate. If not, repeat step 4.



8817 West Market Street, Colfax, NC 27235  
800.334.2006 Fax: 336.668.4478  
www.enduraproducts.com

SKU: BD-INST-ETCAPLATE  
Revised: 02.23.2017