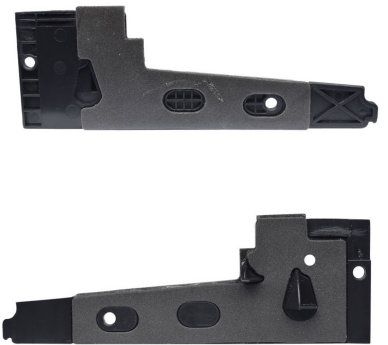


Endura Z-End Bases™ for Z-Articulating Cap Sill®



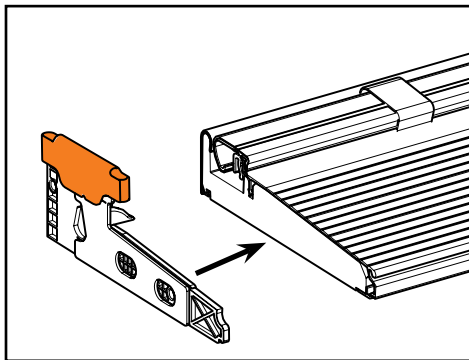
Installation Instructions

Note: In order to install a new Z-End Base™, the sill must be uninstalled.

TOOLS AND SUPPLIES:

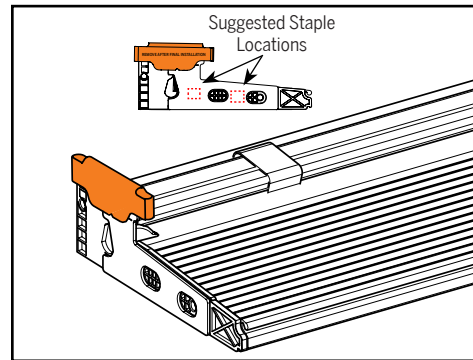
- Stapler with 1/2" crown staples

STEP 1: PLACE THE Z-END BASE™



a. Place the Z-End Base™ against the end of the uninstalled sill as shown in image.

Note: Z-End Bases™ are handed and can only be placed one way.



b. Staple the base onto the side in the locations shown. Repeat this on the other end of the sill with the other Z-End Base™.

Note: Leave the protective orange gasket on. Only remove after the door unit is fully installed.

