

Endura Z-Articulating Cap Sill[®] Sidelite Stiffeners

Installation Instructions

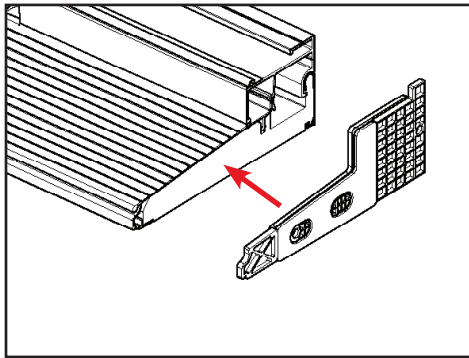
Note: In order to install a new sidelite stiffener, the sill must be uninstalled.



TOOLS AND SUPPLIES:

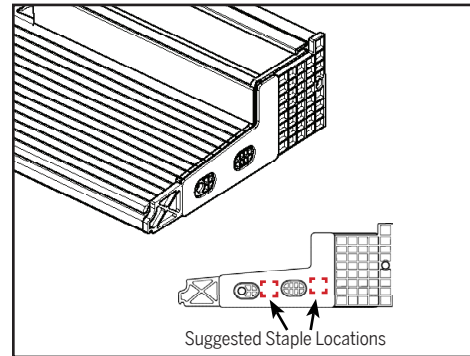
- Stapler with 1/2" crown staples

STEP 1: INSERT NEW Z-END BASE™ SIDELITE STIFFENER



a. Place the sidelite stiffener against the end of the uninstalled sill as shown in image.

Note: The sidelite stiffeners are handed and can only be placed one way.



b. Staple the base onto the side in the locations shown. Repeat on the other side of the sill if a sidelite is present on that side as well.

