

Endura All-Aluminum Z-Articulating Cap Sill™ Retrofit Kit for Single Doors

Installation Instructions

Before You Begin:

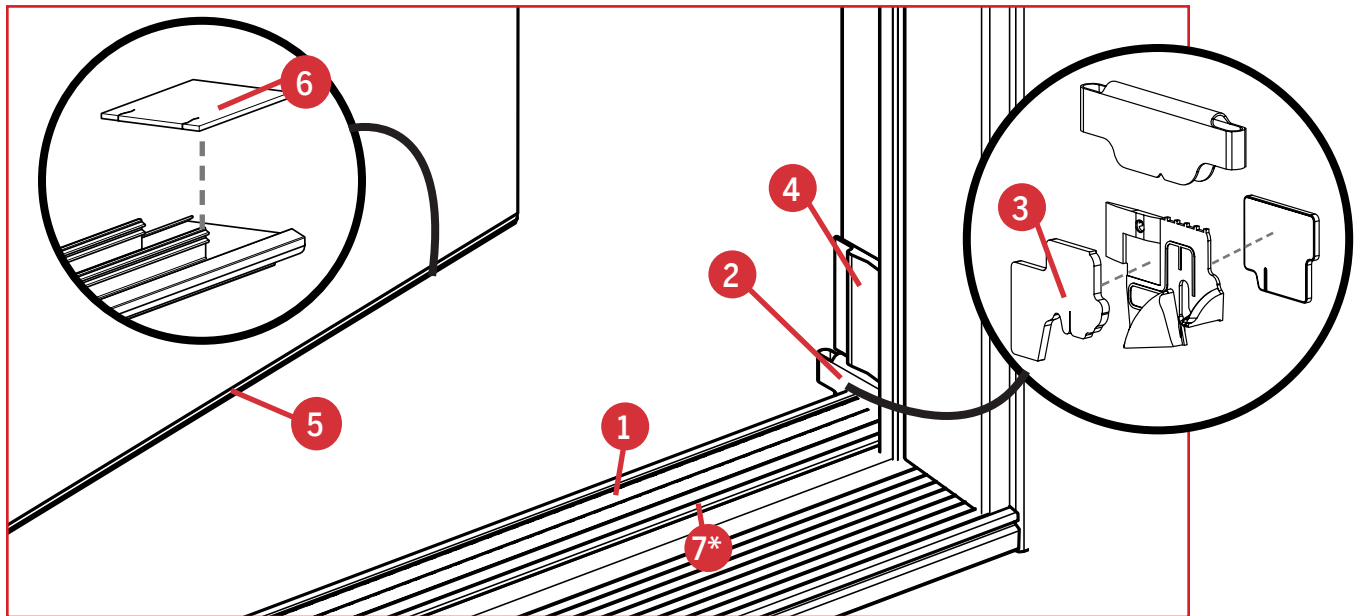
- This retrofit kit is designed for the Endura Z-Series sill. Please ensure it is compatible with your current sill before you begin installation.
- When replacing the sill cap you will also have to update components around the bottom of your door panel. These steps (Part B) will require you to remove the door panel off the frame. **We recommend you use assistance while doing this.**

TOOLS REQUIRED:

- Flathead screwdriver
- Small wooden block or thin board
- Measuring Tape
- Pen or Pencil
- Cutting Tool: Chop/Miter Saw recommended
- 1/2" crown Staples
- 7/8" Diameter drill bit

If you already have a ZAC 2.0 sill, you will also need:

- Scraping Tool
- Caulk



KIT INCLUDES:

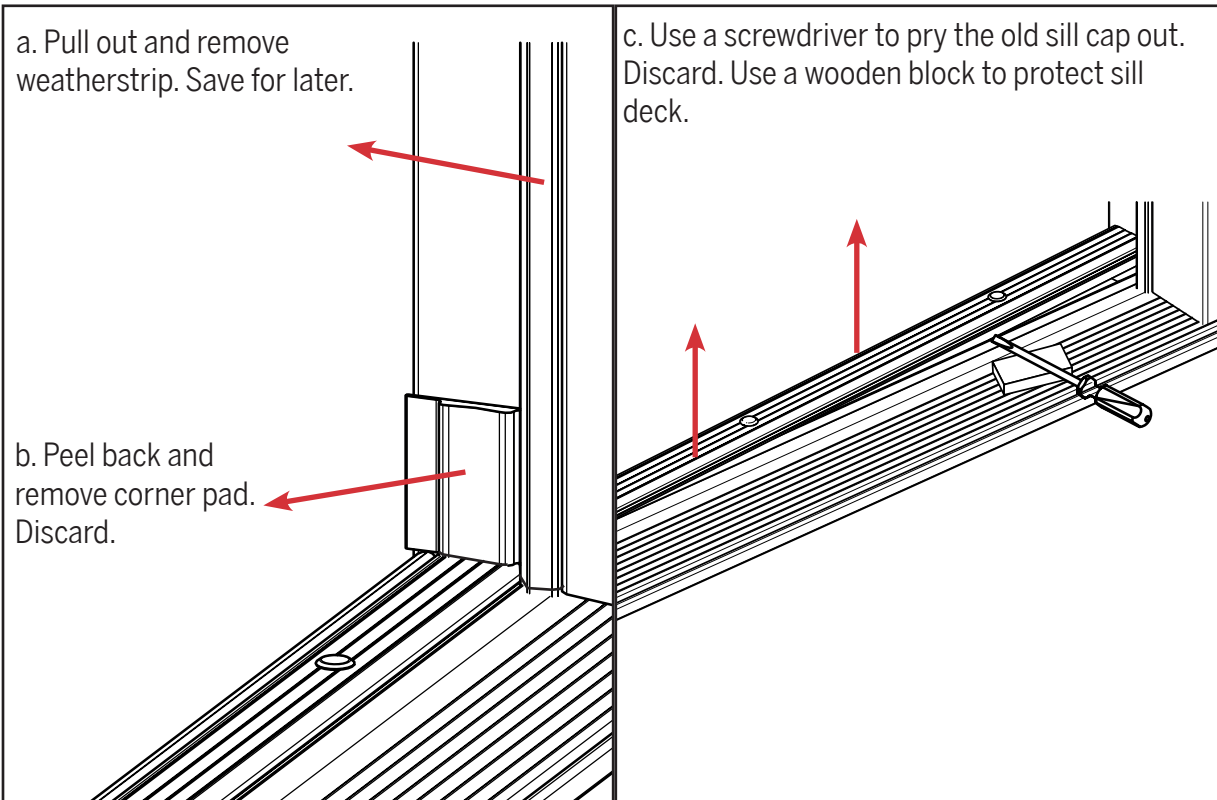
1. 3' Z-Articulating Cap (1)
2. Z-End Base™ Mull Stiffeners (1)
3. Active Mull Stiffener Gaskets (Use if you are replacing an existing Z-AC sill) (2)
4. Simple Solution™ Corner Pads (2)
5. Door Bottoms (Kerfed and Staple-On - you will only use one)
6. Door Bottom Gasket for Kerfed Door Bottom (1)
7. 3' Mylar Strip (1)

*Hidden within the sill channel



Part A: Prepare for Install

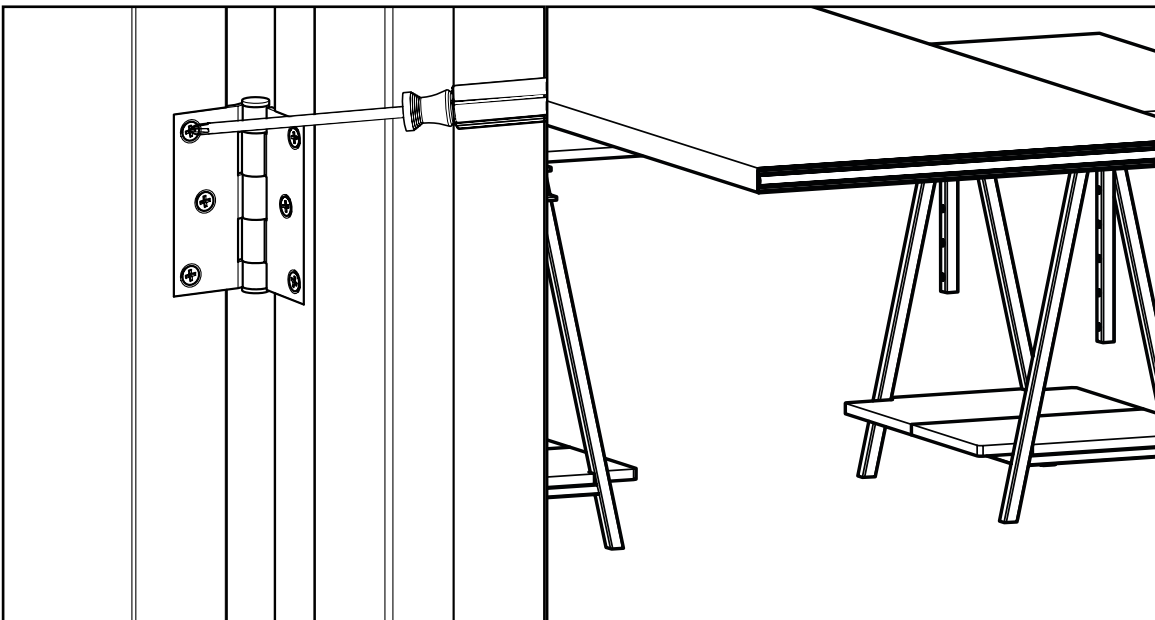
STEP 1: PREPARE THE SILL BY REMOVING THE FOLLOWING COMPONENTS



STEP 2: REMOVE THE DOOR PANEL FROM THE FRAME

Remove the door panel by unscrewing at the hinges. Carry to a flat work surface and lay horizontally.

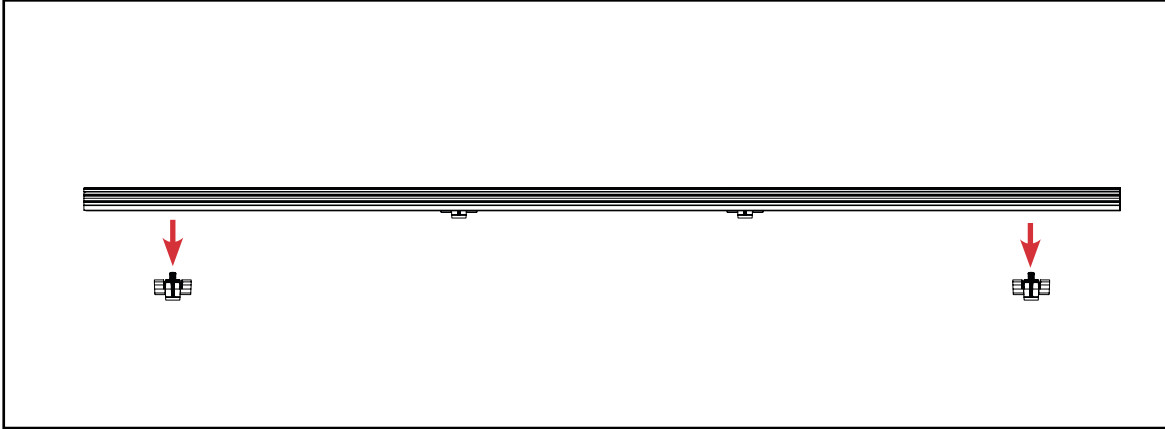
We recommend you use assistance for this step.



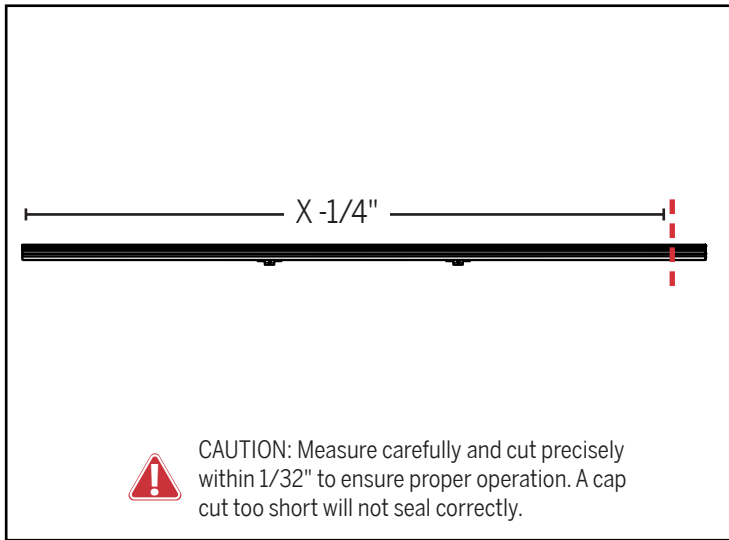
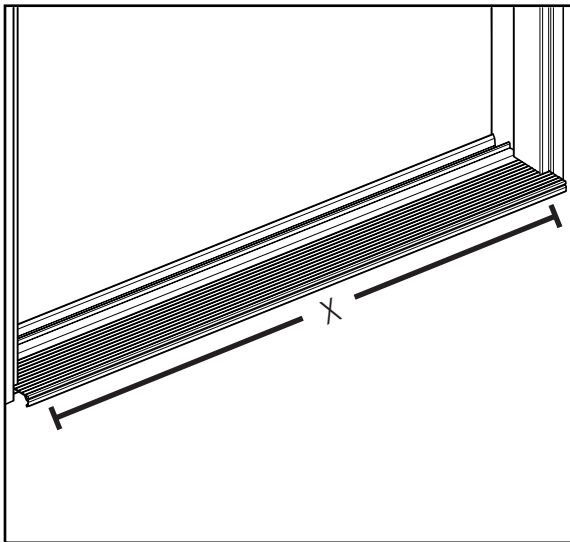
Part B: Install New Sill Cap

STEP 3: PREPARE AND SIZE NEW SILL CAP

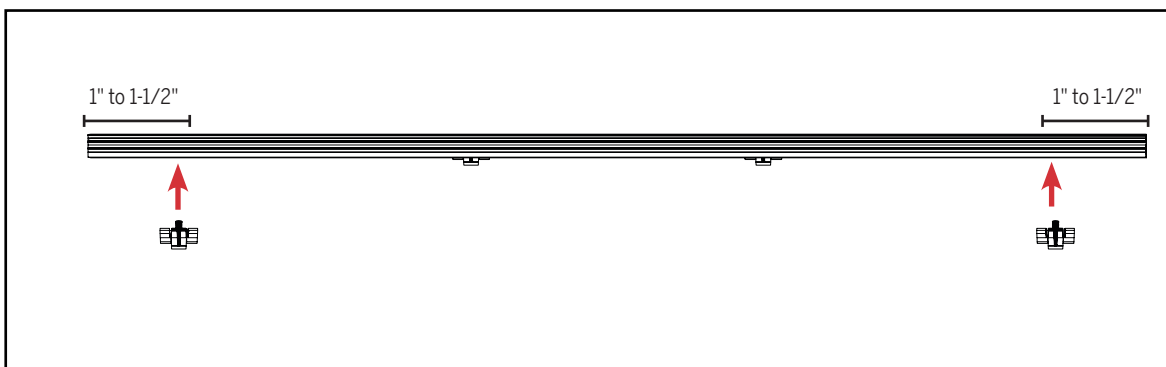
a. Remove the two spring-loaded bases that are on each end of the sill cap. Keep these to return on cap after resizing.



b. Measure the length of the sill (X). Cut the sill cap to $X - 1/4"$.

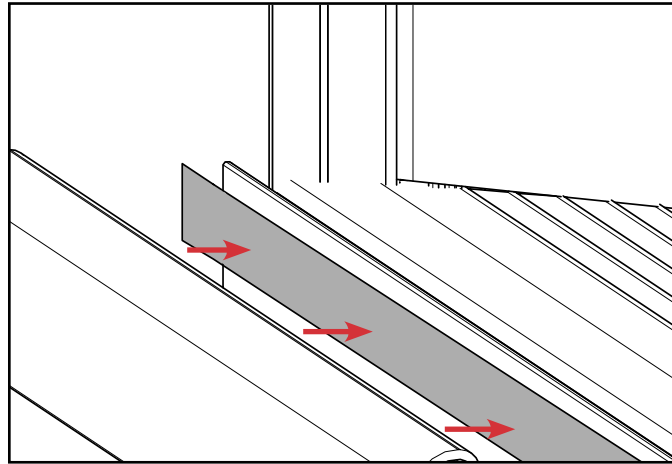


c. Return the two spring-loaded bases on each end of the cut sill cap.



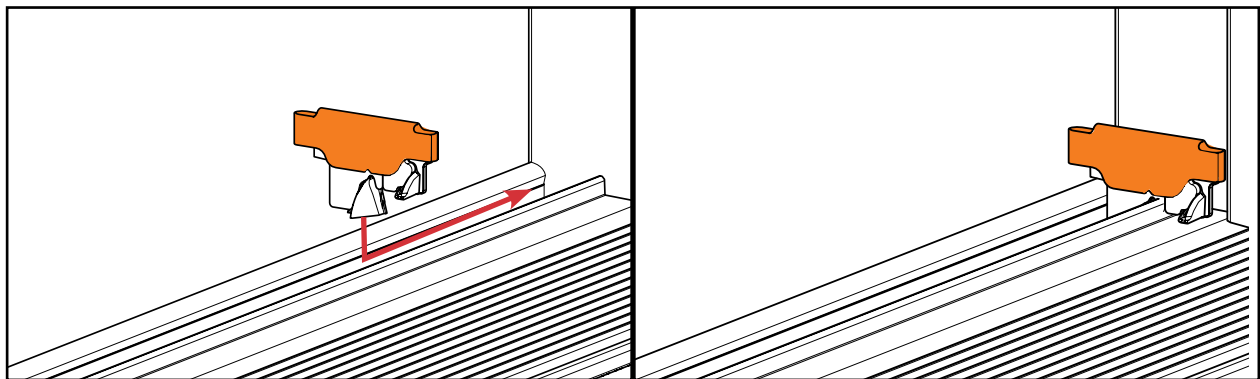
STEP 4: INSTALL THE MYLAR STRIP

Remove the paper backing from the mylar strip. Align with the inside edge of the sill dam and apply by pressing into place.



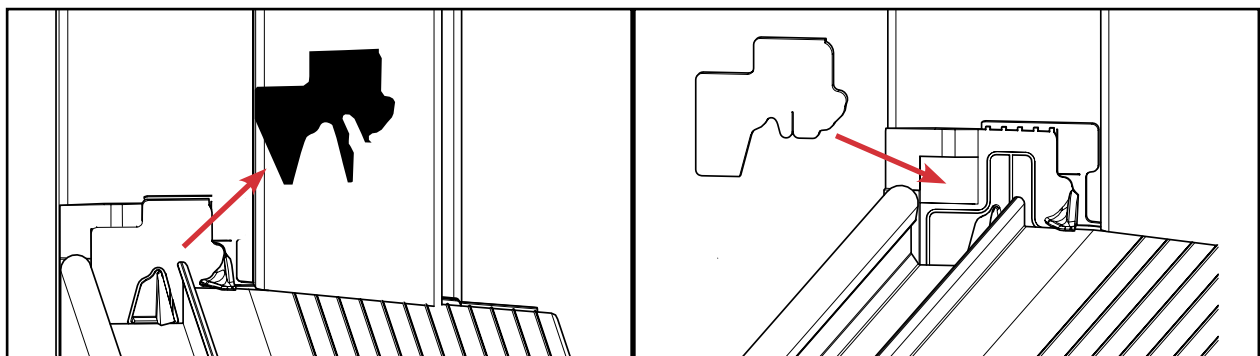
STEP 5: INSERT MULL STIFFENERS

Insert the mull stiffeners into the sill channel and slide to the end so it is flush with the jamb. The stiffeners are handed and will only go in one way. Repeat on the other side of the sill.



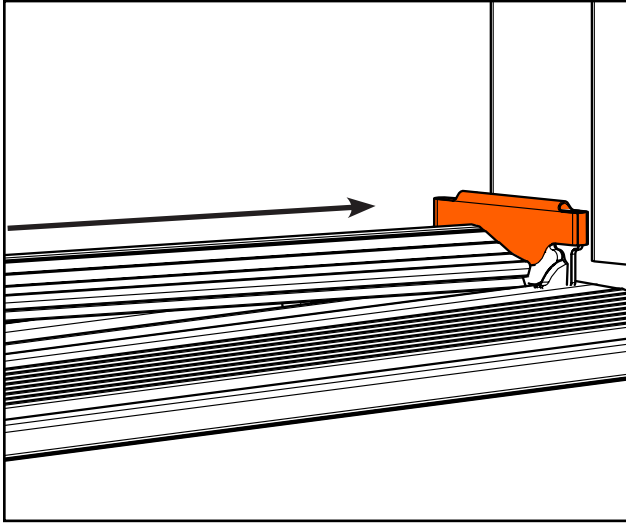
Note: Do not remove the orange protective label. Only remove after Step 6, when new sill cap is installed.

If you are replacing an existing ZAC 2.0 cap, you already have the Z-End Base™ installed and only need to replace the foam pad.

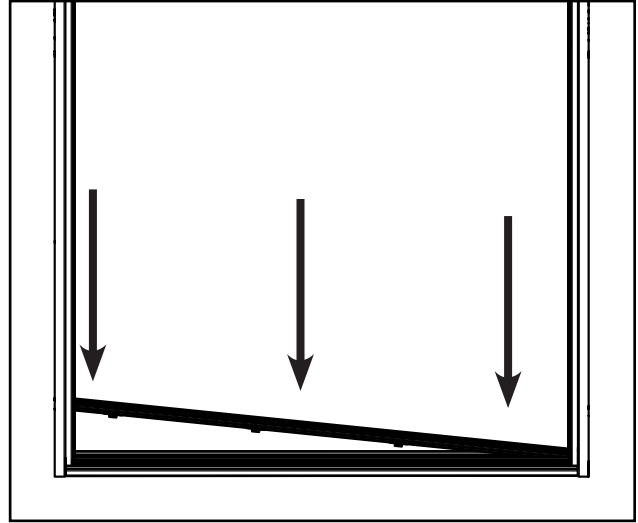


STEP 6: INSTALL NEW SILL CAP

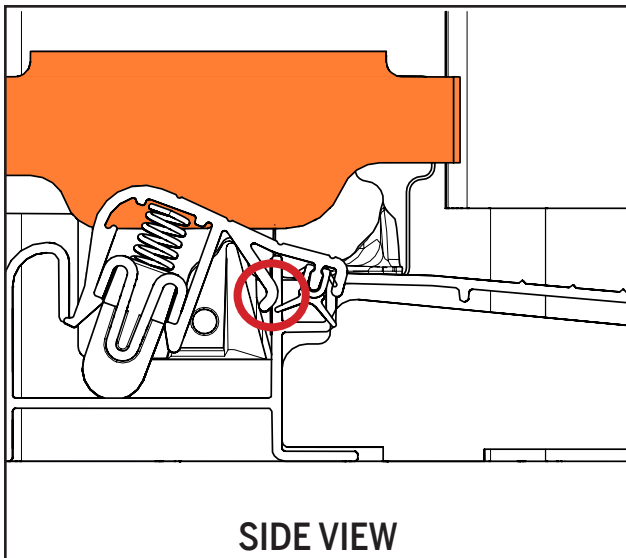
To install new sill cap into the channel align the edges of the sill cap with the mull stiffeners and applying pressure evenly across the length to seat the cap in the channel.



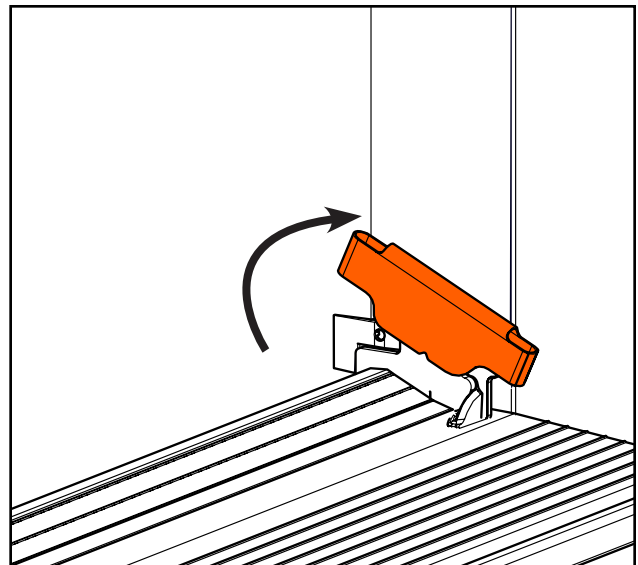
a. Align edge of cap with mull stiffener on one end.



b. Install the other end of the cap by aligning it straight with the sill channel and pressing down.



The sill cap should sit in the channel as shown above, with the angled leg contacting the back side of the sill dam.

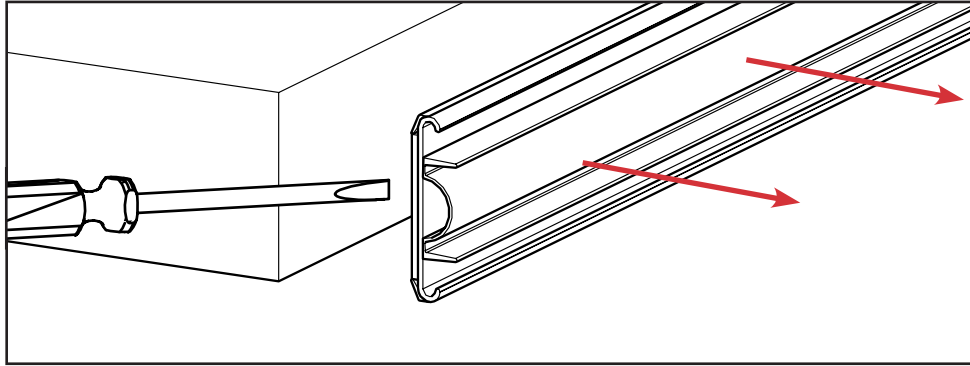


c. Remove the orange protective gasket.

Part C: Update Door Bottom

STEP 7: REMOVE EXISTING DOOR BOTTOM

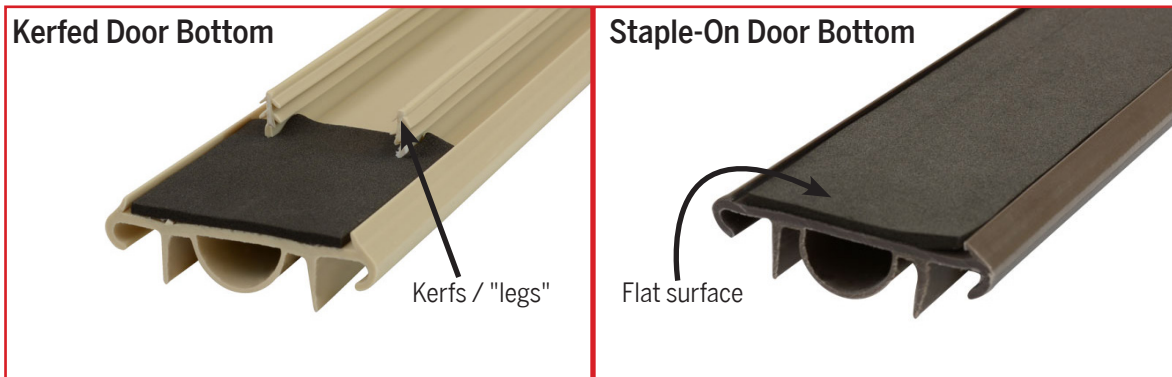
Use a flathead screwdriver to pry off the door bottom from the bottom of the door panel. Identify type (Step 8) and discard.



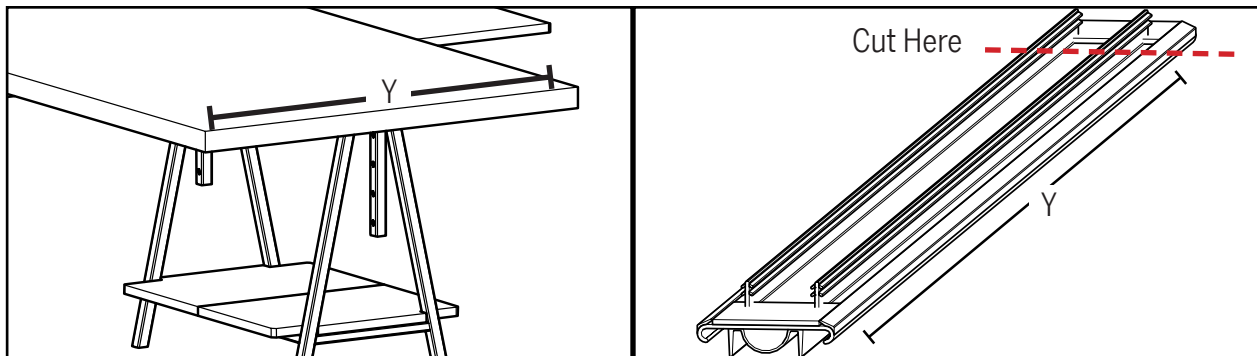
STEP 8: IDENTIFY YOUR DOOR BOTTOM AND CUT THE NEW DOOR BOTTOMS TO SIZE

- a. Look at the door bottom that you just removed, examining the side that was against the door panel.
- If it has kerfs or "legs" on it, you have the Kerfed Door Bottom
 - If it is smooth, you have the Staple-On Door Bottom

You may discard the other and proceed with the appropriate steps for replacement.



- b. Measure the length of the door panel. Cut the door bottom to match this length.

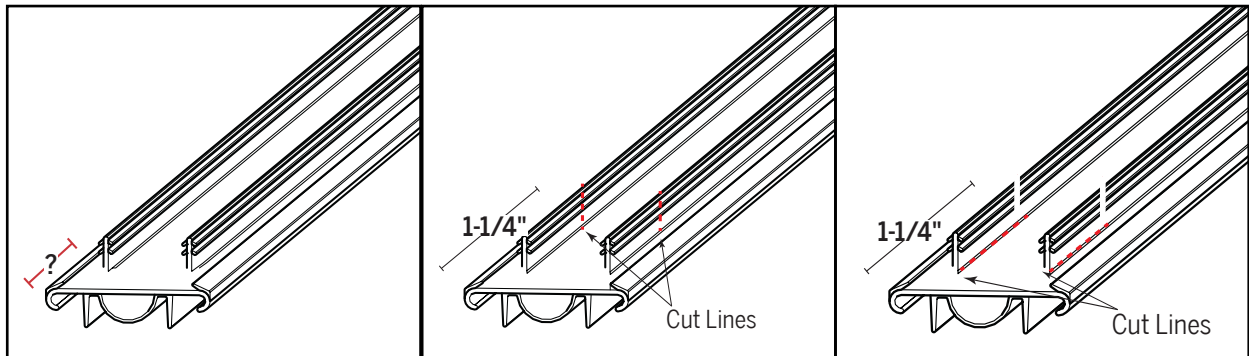


STEP 9: INSTALL THE DOOR BOTTOMS

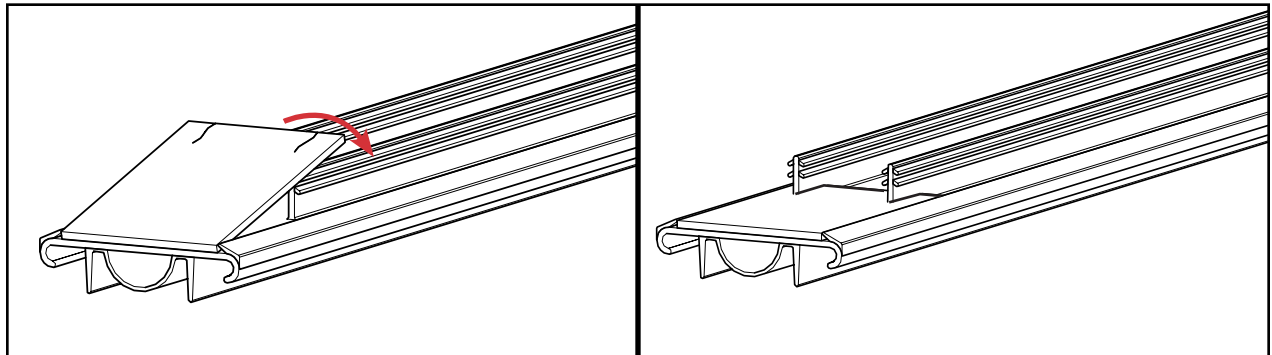
To install the door bottom on the panel, follow the appropriate steps for Kerfed and Staple-On door bottoms.

Kerfed Door Bottoms

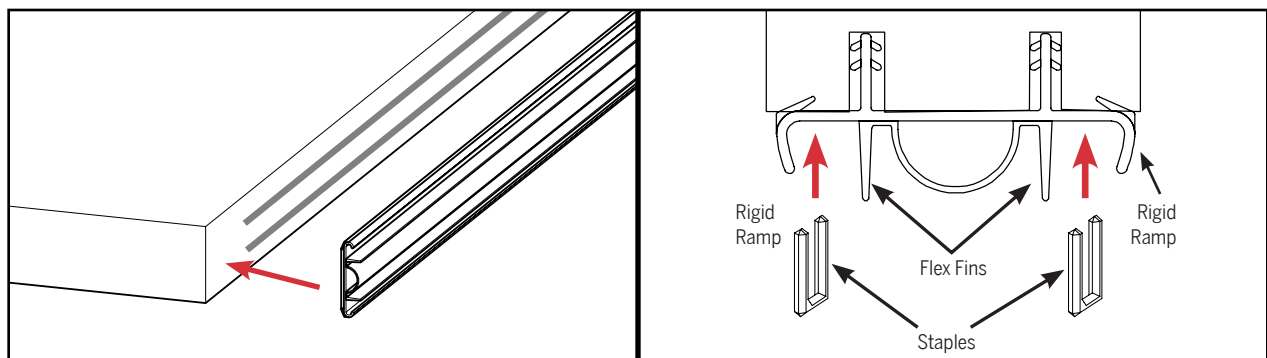
a. Measure the notch from the cut side of the door bottom. If the notch is less than 1-1/4", cut the kerf legs to create a notch that is 1-1/4".



b. Apply the door bottom gasket, ensuring the solid edge is flush with the cut edge of the door bottom.



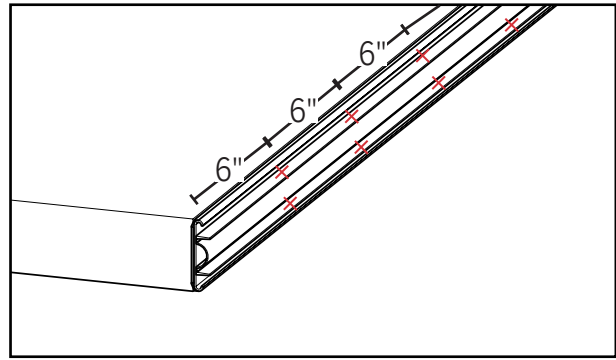
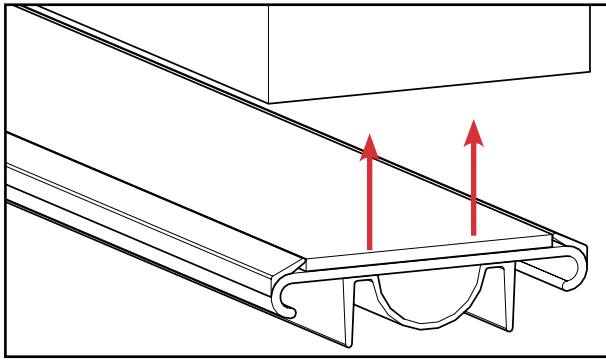
c. Install the new door bottom by inserting the kerf legs into the panel slots and secure each end with staples.



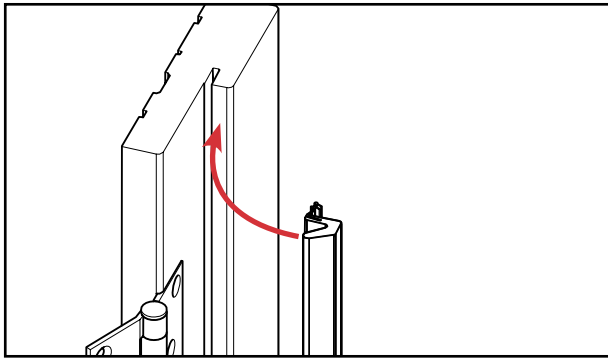
STEP 9 (CONT.): INSTALL THE DOOR BOTTOMS

Staple-On Door Bottoms

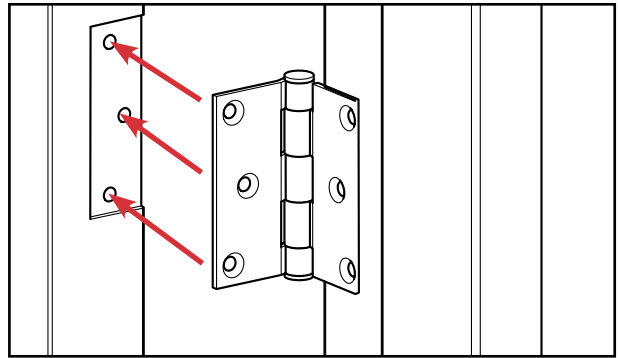
a. Install new door bottom by aligning it with the panel and stapling along the length at 6" intervals.



STEP 10: RETURN THE DOOR PANEL AND WEATHERSTRIP

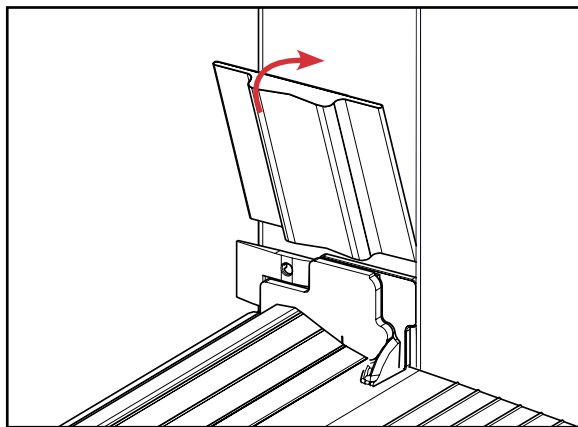


a. Return the weatherstrip pressing firmly along the jamb.

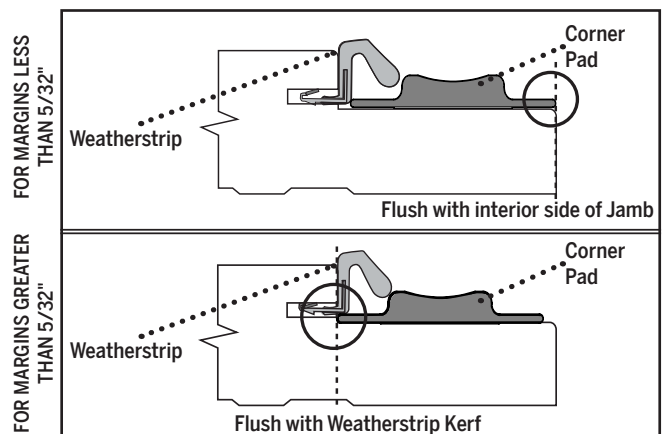


b. Realign the door panel and screw back into the hinges.

STEP 11: REPLACE THE CORNER PAD ON THE JAMB



a. Remove paper backing and align bottom of corner pad flush against the top of the stiffener.



b. Align with weatherstrip and jamb based on strike margins. Press corner pad firmly against jamb and confirm the door operates properly. The sill cap should move up and down as the door opens and closes. Repeat on other side.

Confirm proper operation of the door. The sill cap should move up and down as you open and close the door.