

Endura Universal Z-End Base™ for Z-Articulating Cap Sill™

Installation Instructions



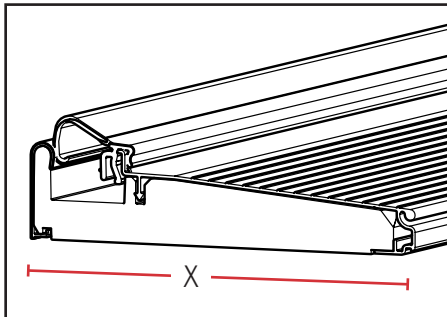
TOOLS AND SUPPLIES:

- Stapler with 1/2" crown staples

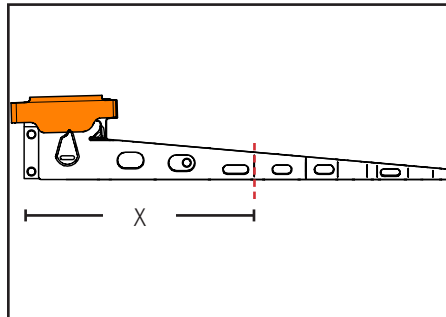
NOTE:

In order to install a new Universal Z-End Base, the sill must be uninstalled.

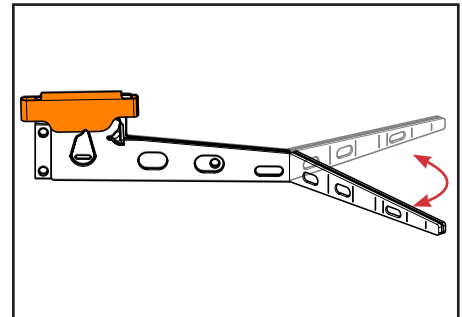
STEP 1: SIZE THE UNIVERSAL Z-END BASE



a. Measure the width of the sill (X) requiring the Z-End Base.

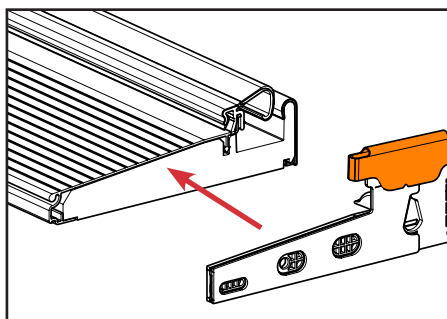


b. Identify the break point on the Z-End Base that corresponds to the sill width.



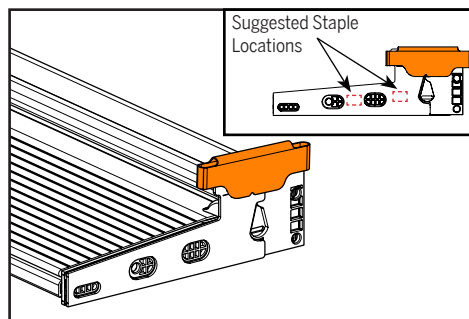
c. Break the Z-End Base at the identified break point. Discard the end piece.

STEP 2: INSTALL THE SIZED Z-END BASE



a. Place the sized Z-End Base against the end of the uninstalled sill as shown in the image.

Note: Z-End Bases are handed and can only be placed one way.



b. Staple the base onto the side in the locations shown. Repeat this on the other end of the sill with another Z-End Base.

Note: Leave the protective orange gasket on. Remove it only after the door unit is fully installed.

SKU: BD-INST-UNIVZEND
Rev Date: 09.20.2017



8817 West Market Street, Colfax, NC 27235
800.334.2006 Fax: 336.668.4478
www.enduraproducts.com