

Z-Series Sill Extender

Shop Installation Instructions



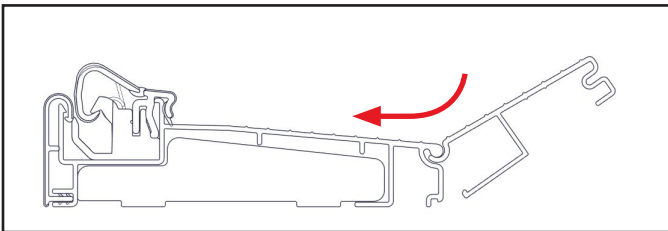
8817 West Market Street
Colfax, NC 27235 | 800.334.2006
www.enduraproducts.com

Tools Required:

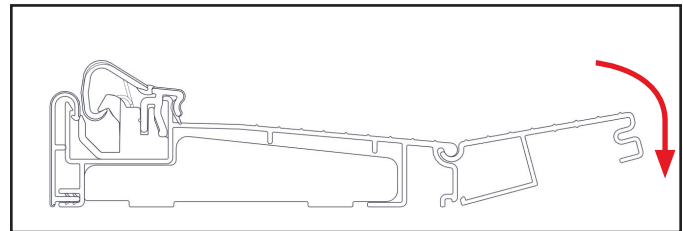
- Rubber Mallet

These Instructions do NOT apply to the Replaceable Deck Sill Extenders

STEP 1: ALIGN AND ATTACH EXTENDER

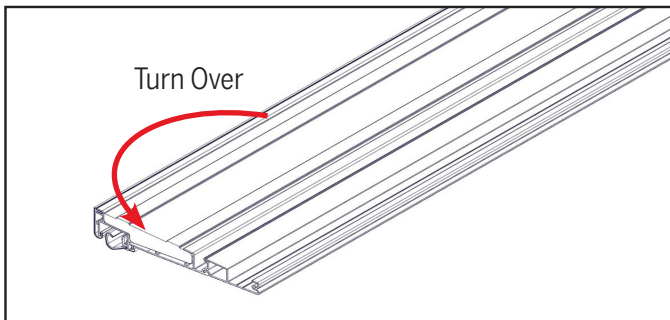


a. Align the hook of the extender into the top extender groove on the sill.

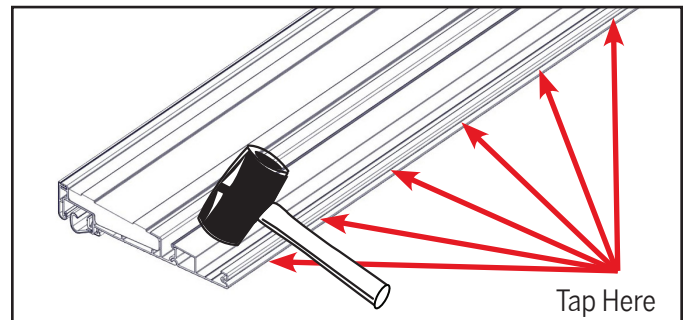


b. Insert the extender hook into the groove and rotate in and downwards into place.

STEP 2: SECURE EXTENDER TO SILL

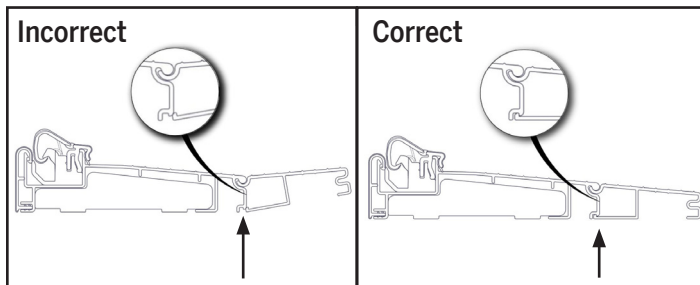


a. Turn the sill over, aluminum facing downward, on a covered flat surface. Using hand, press down on the sill to engage the lower clip.



b. Using a rubber mallet tap the extender along the length of the sill to ensure the extender clips onto the sill.

Be sure to use a clean covered surface to prevent scratching the aluminum deck.



c. Double check that extender is in place correctly.