

Inswing Sill Cover Replacement Instructions



8817 West Market Street, Colfax, NC 27235
800.334.2006 Fax: 336.668.4478
www.enduraproducts.com

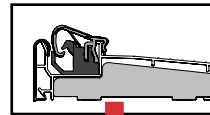
TOOLS AND SUPPLIES:

- Cutting Tool

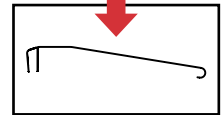
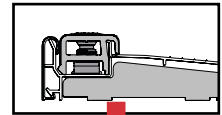
NOTE:

There are two styles of sill covers for inswing doors.
Confirm you have the correct style for your sill:

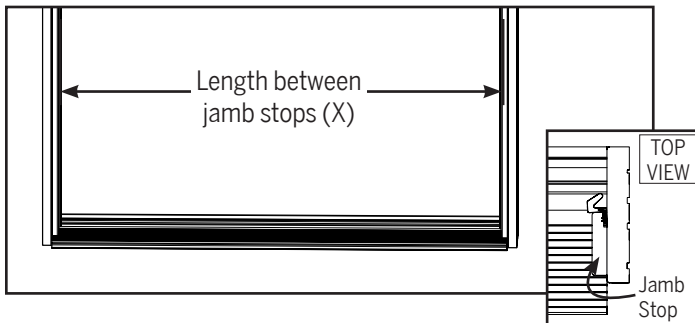
Z-Articulating Cap Sill™



Z-Series Inswing Sills

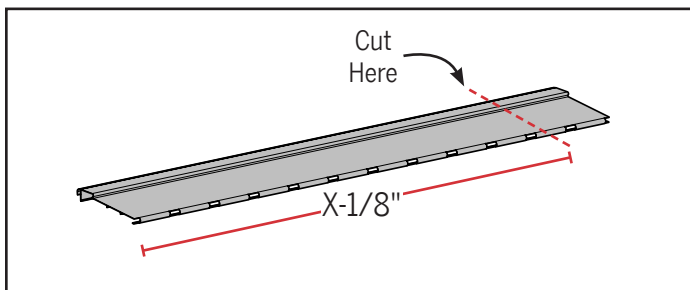


STEP 1: MEASURE SILL WIDTH



Measure the width of the sill, between the jamb stops.

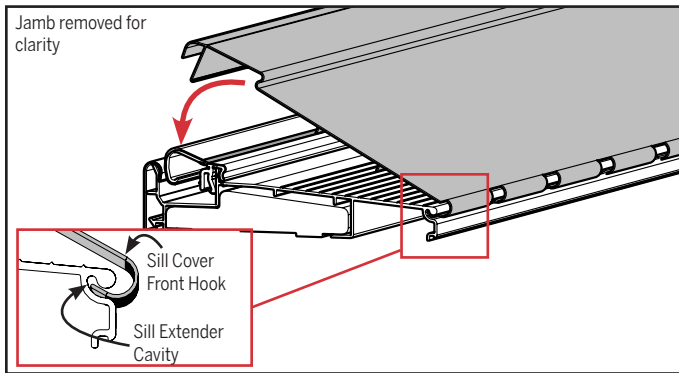
STEP 2: SIZE THE SILL COVER



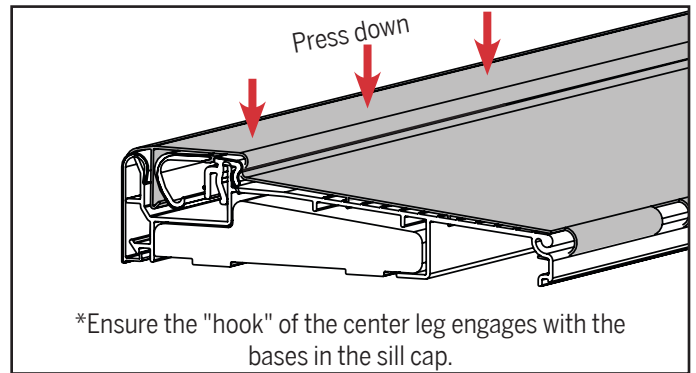
Cut the sill cover length 1/8" less than the measurement (X) from Step 1.

STEP 3: ATTACH SILL COVER TO SILL

FOR Z-ARTICULATING CAP SILLS:

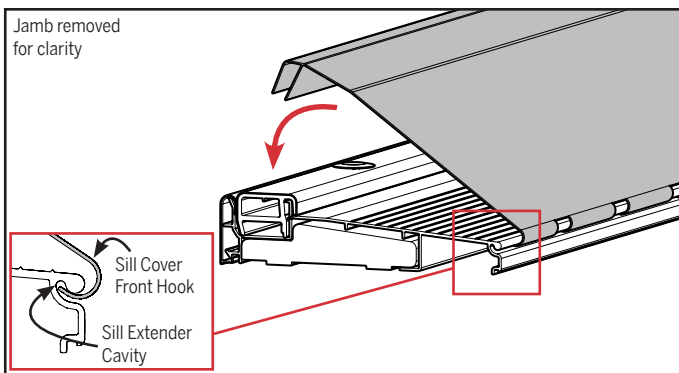


a. Engage the front hook of the sill cover into the sill extender cavity and rotate it over the deck and sill cap.

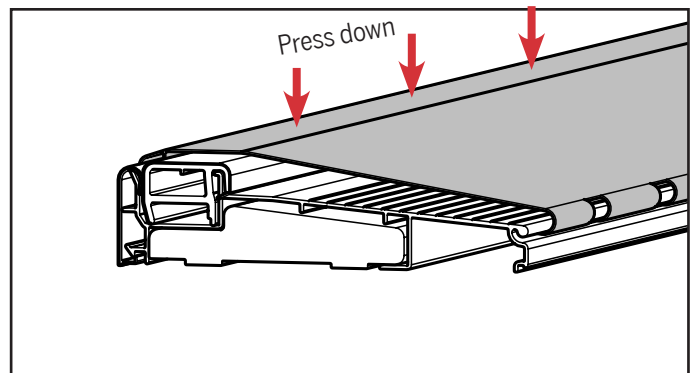


b. Press down on the sill cover along the sill length so that it is secure between the cap and the back of the sill.

FOR Z-SERIES SILLS:



a. Engage the front hook of the sill cover into the sill extender cavity and rotate it over the deck and sill cap.



b. Press the sill cover down along the length of the sill cap to ensure it is securely attached.