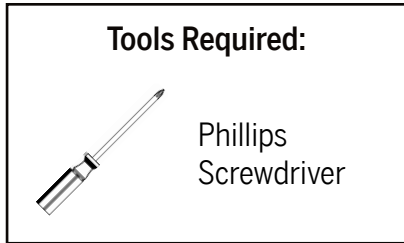
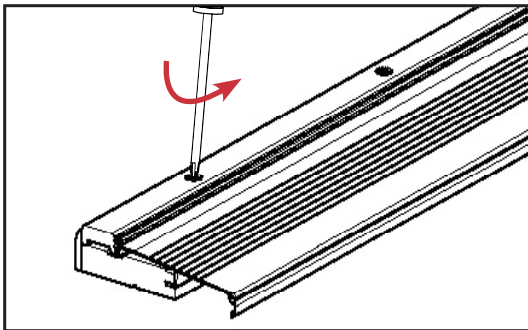


Endura Rainseal Gasket for Oak Adjustable Sills

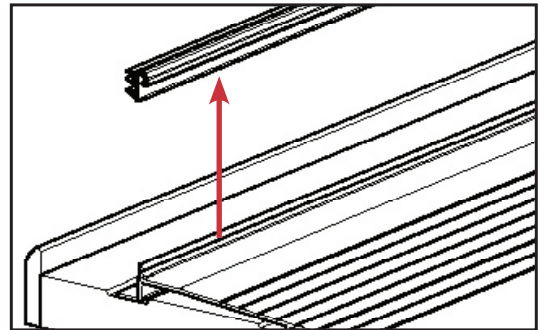
Replacement Instructions



STEP ONE: ACCESS AND REMOVE OLD GASKET

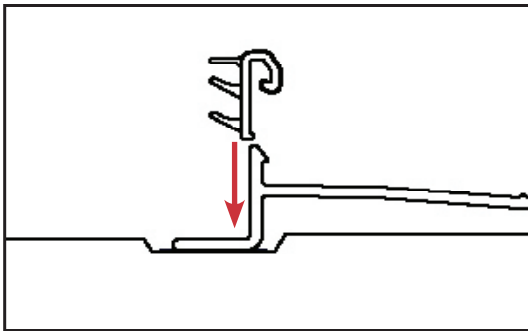


a. Remove the wood sill cap by gradually loosening the screws across the length of the sill. Remove and set aside

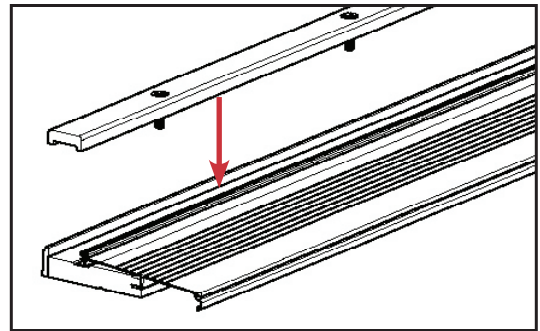


b. Remove the existing rainseal gasket from the sill dam, if present.

STEP TWO: INSTALL NEW GASKET AND REINSTALL SILL CAP



a. Replace with new rainseal gasket ensuring that it sits securely along the sill dam.



b. Replace the sill cap by screwing into place. Tighten the screws incrementally along the cap for a uniform reinstallation.