

Ultimate Slide Bolt Astragal

Reversibility Instructions



8817 West Market Street
Colfax, NC 27235 | 800.334.2006
www.enduraproducts.com

Tools Required:

- Chop Saw
- Tape Measure
- Pencil/Marker

Kit Includes:

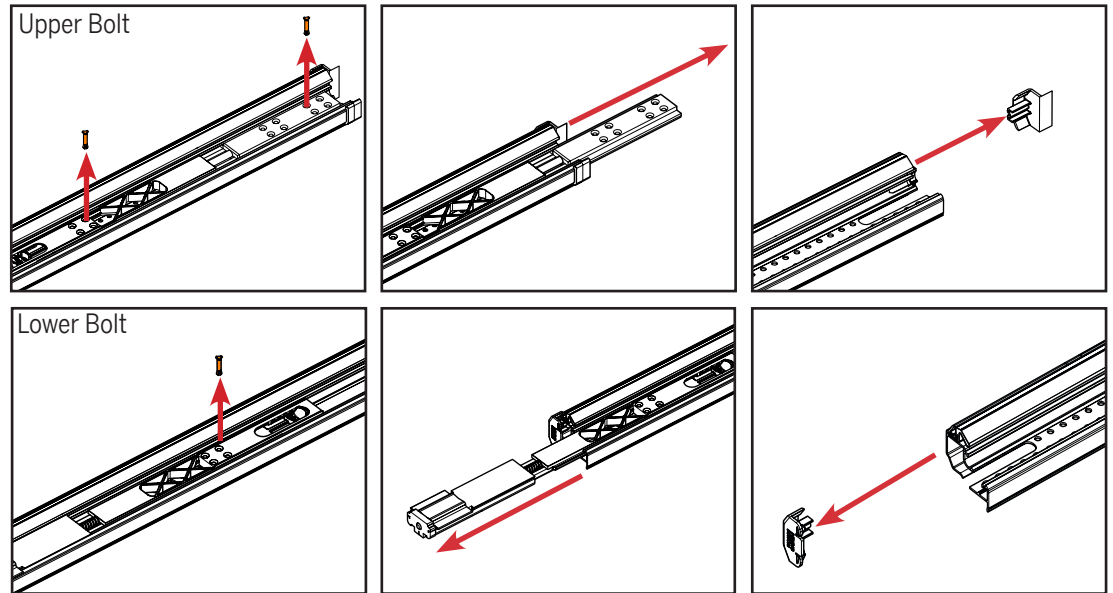
- Upper and Lower Trim Caps
- Tail Caps (2)
- Back Pad

Notes:

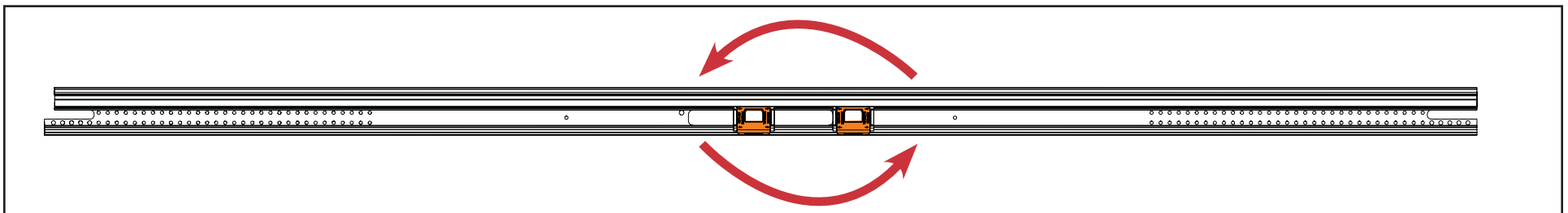
- Reverse astragals before cutting them down.

STEP 1: REVERSE THE ASTRAGAL

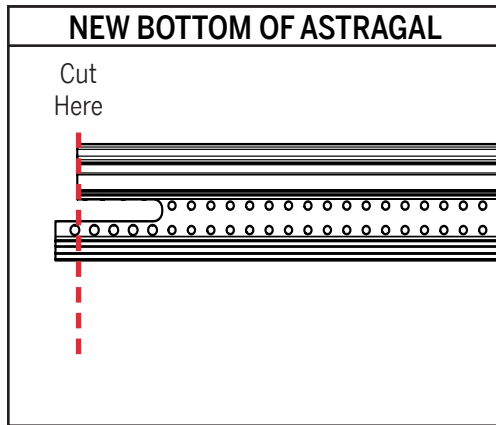
a. Remove upper and lower bolts: Remove the orange securing pins (two on upper, one on lower bolt) and slide the bolts out of the astragal. Remove the upper and lower trim caps and tail cap (if present).



b. Reverse the astragal: Rotate the astragal so the upper and lower ends are reversed.

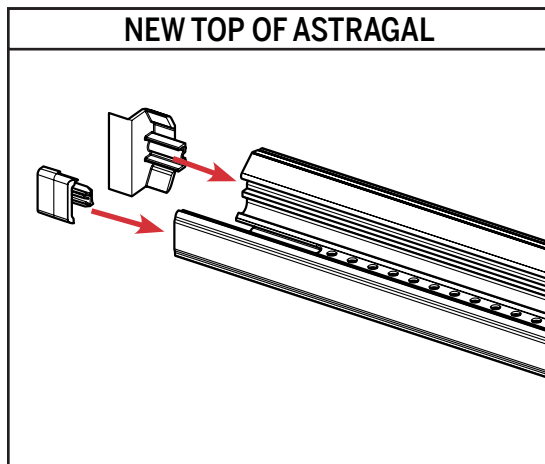


STEP 2: CUT THE ASTRAGAL BODY FLUSH

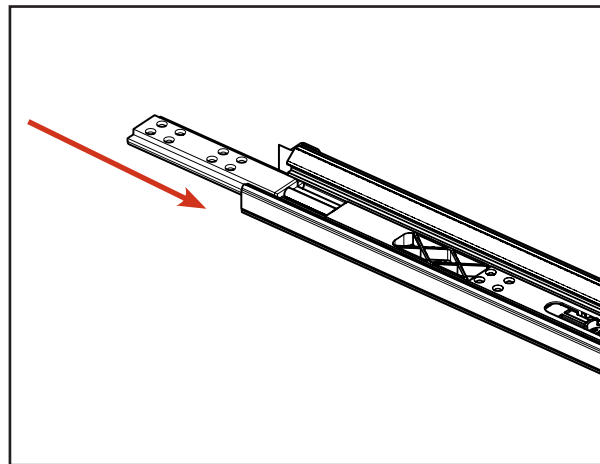


a. Using a chop saw, cut the **narrow side** of the astragal, so it is flush with the wide side.

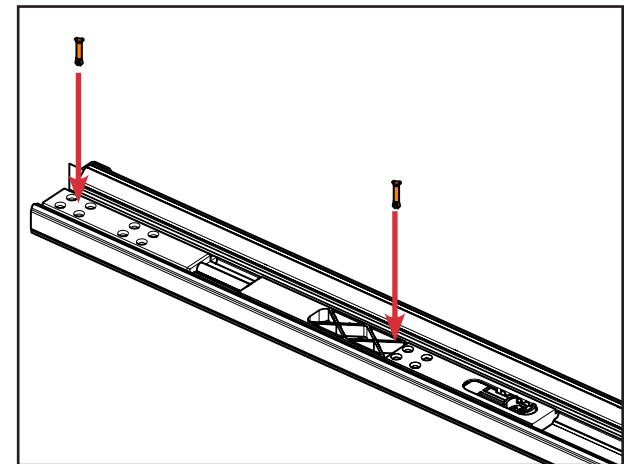
STEP 3: REINSTALL THE UPPER BOLT



a. On what is now the top of the astragal, install the upper trim cap on the **wide side** and a tail cap on the **narrow side**.

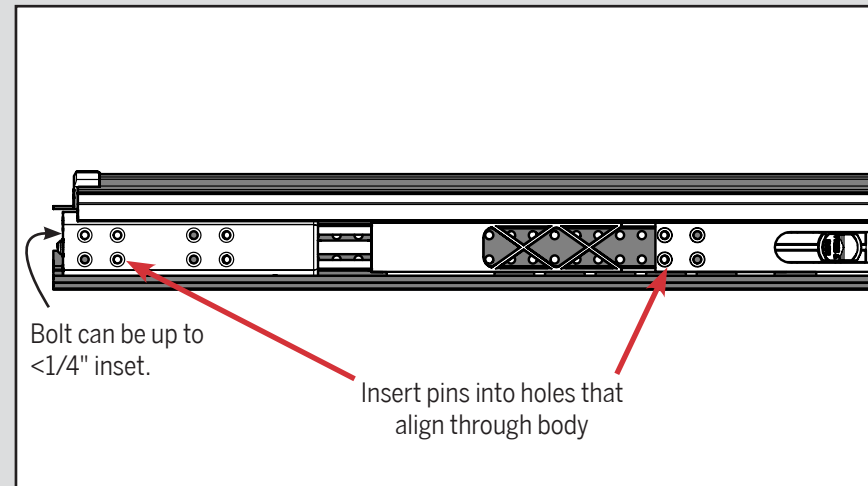
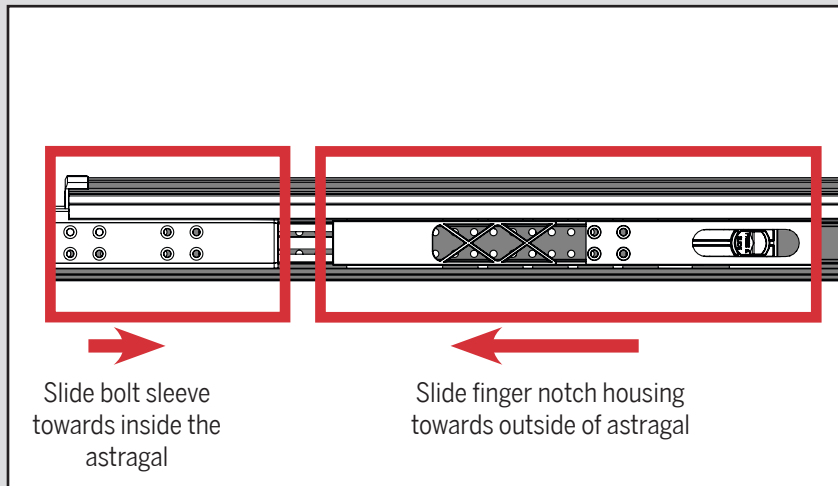


b. Return the **retracted** upper bolt by sliding back into the astragal body until the end of the bolt sleeve is flush with the end of the astragal. If a tail cap is present, the bolt should be flush with the tail cap.



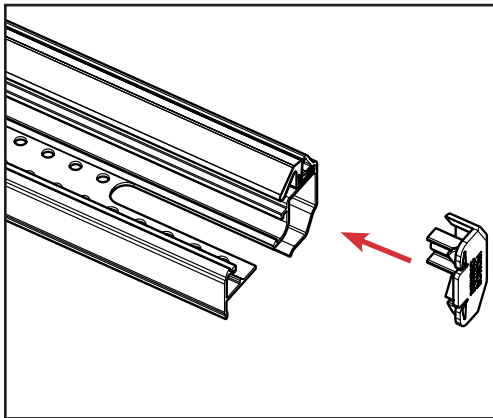
c. Insert the two orange securing pins into the bolt in the holes that align with the holes in the astragal body. (See below if holes are not aligned.)

STEP 3 (CONT.): REINSTALL THE UPPER BOLT

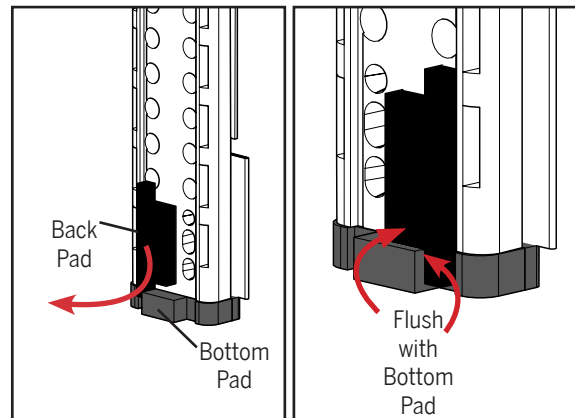


If the holes on the bolt do not align with the holes in the astragal body, adjust the location of the bolt sleeve and/or the finger notch housing to align the holes and then insert the orange securing pins. The bolt sleeve may be up to 1/4" inset from the end of the astragal.

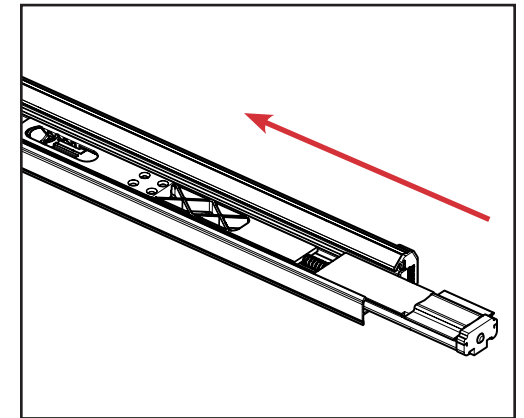
STEP 4: REINSTALL THE LOWER BOLT



a. Reinstall the lower trim cap on to the astragal.



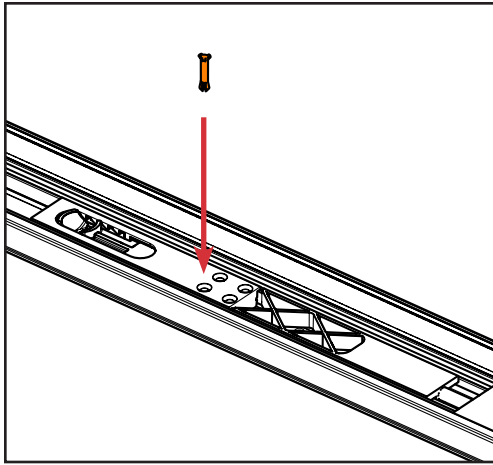
b. Before replacing the lower bolt, remove the existing back pad and place a new one mirroring the original pad.



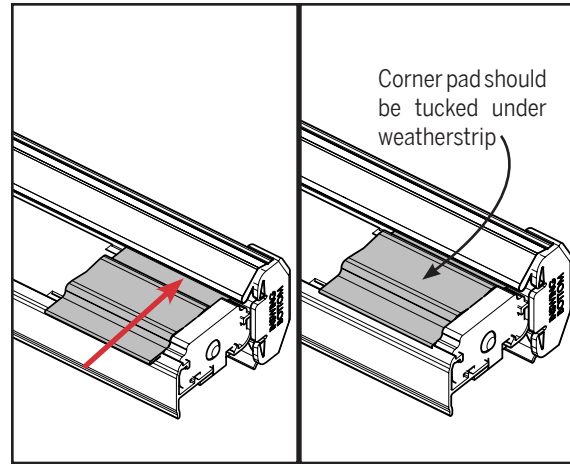
c. With the bolt in the unlocked position, slide the lower bolt back into the astragal.

! Do not remove or damage the bottom pad

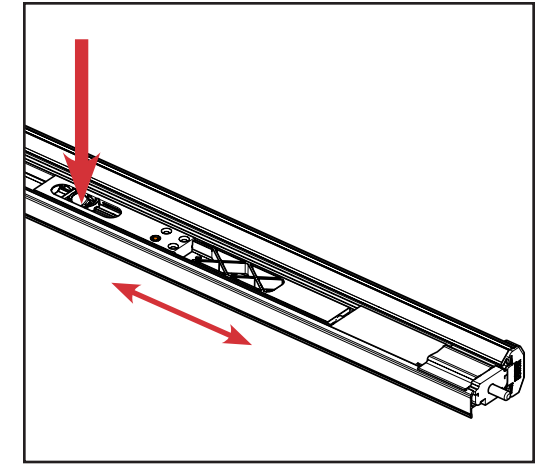
STEP 4 (CONT.): REINSTALL THE LOWER BOLT



d. Insert the orange securing pin into the hole on the bolt sleeve that aligns with the hole in the astragal body. If holes do not align, see gray box on Page 3 to align holes.

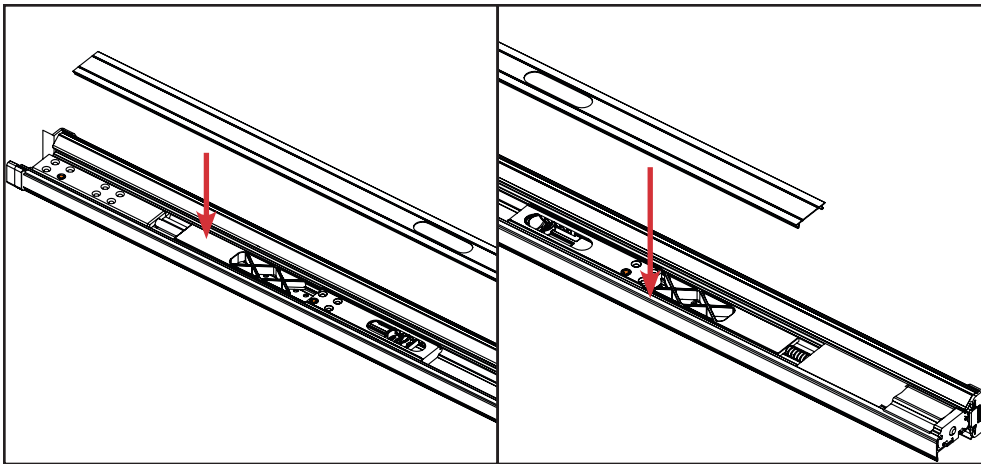


e. Once the lower bolt is installed, realign the Simple Solution Corner Pad under the weatherstrip.



f. Confirm proper bolt operation by pressing down on the finger notch to pull and retract it.

STEP 5: REINSTALL THE TRIM STRIP



a. Reinstall the trim strip onto the astragal. The trim strip with the larger space between the notch and edge will be for the top of the astragal.