

# Ultimate Slide Bolt Astragal

## Outswing Field Installation Instructions



8817 West Market Street  
 Colfax, NC 27235 | 800.334.2006  
 www.enduraproducts.com

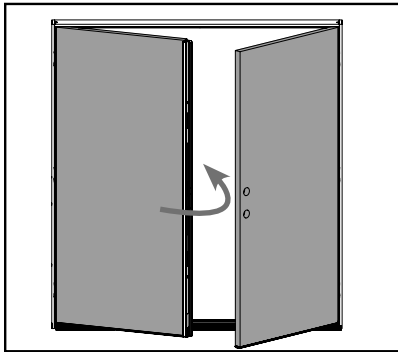
### Tools Required:

- Pencil/Marker
- Utility Knife
- Flathead Screwdriver
- Drill (3/8" and 5/8" Bits)
- Rubber Mallet

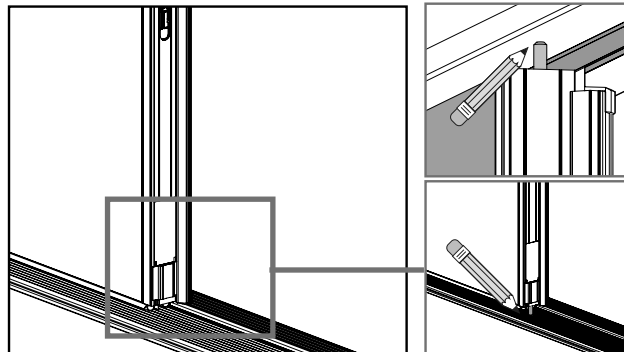
### Kit Includes:

- Outswing Bolt Receiver
- Header Strike Plate
- (2) #6 x 1-1/2" Screws

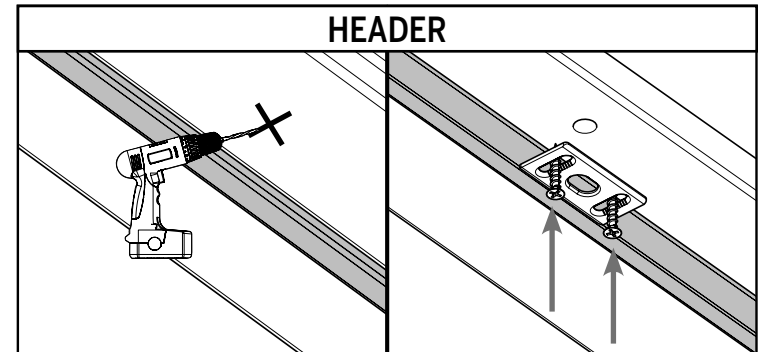
## STEP 1: INSTALL HEADER AND SILL BOLT RECEIVERS



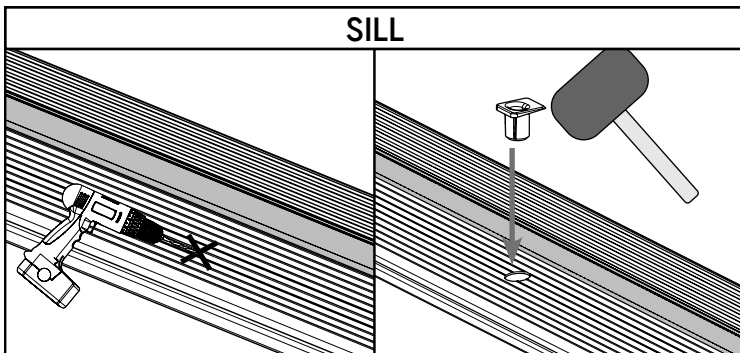
a. Close the inactive door panel until the weatherstrip on the header is compressed.



b. Press and engage the upper and lower bolts so the bolt pins come in contact with the header and the sill. Mark these points of contact.



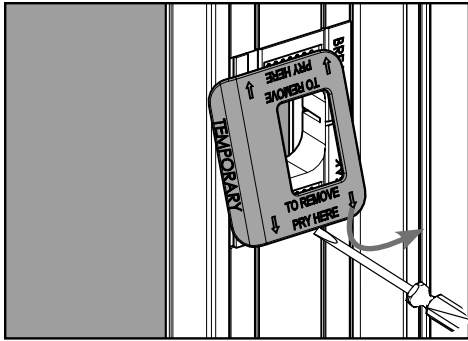
c. At the marked location on the header, drill a hole **3/8" in diameter** and at least **1-3/8" deep**. Install the upper strike plate by screwing into the header.



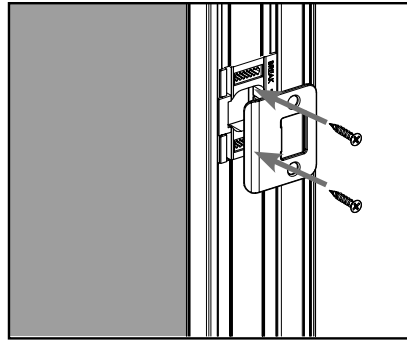
d. At the marked location on the sill, drill a hole **5/8" in diameter** and at least **1-3/8" deep**. Install the lower bolt receiver by tapping into the sill with rubber mallet.

Rev. Date: 6.12.2018  
 ©Endura Products, Inc.  
 Innovation protected under patents and patents pending  
 in U.S. and Canada. See [www.EnduraPatents.com](http://www.EnduraPatents.com).  
 #211159-LTPLUS-O-FP

## STEP 2: INSTALL STRIKE AND DEADBOLT PLATES

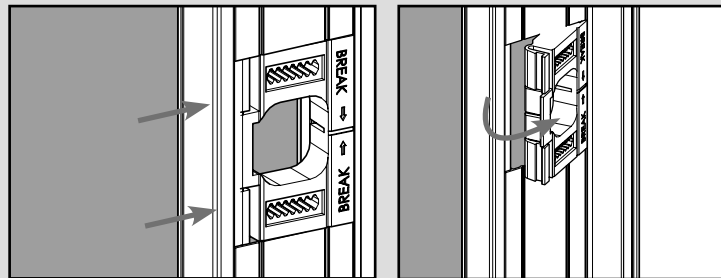
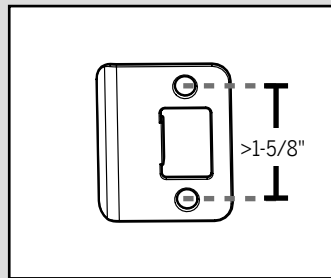


a. When you are ready to install the hardware on the door, pry off the dummy strike plates using a flathead screwdriver.

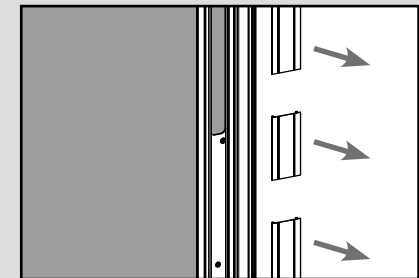


b. Install the strike and deadbolt plates by screwing into the retainers.

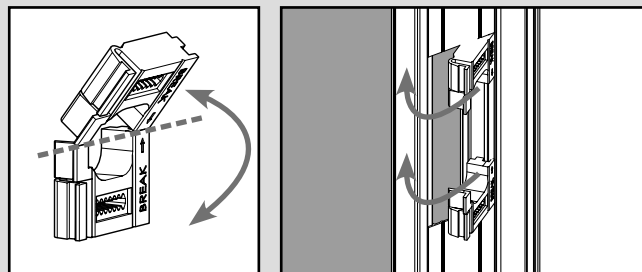
If the hardware has mounting holes greater than 1-5/8" center to center:



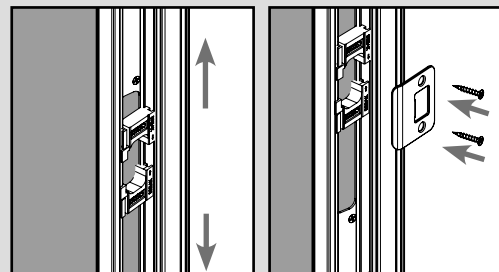
a. Remove the retainers from the astragal body by pushing the tabs in and rotating the retainer out.



b. Remove the trim strip from the astragal and set aside.



c. Break retainer in half using the bend lines. Return the two pieces of the retainer to the astragal and adjust to fit the larger hardware.

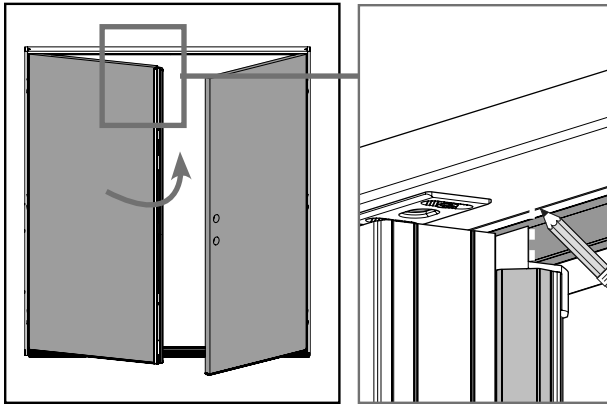


d. Adjust the location of the two pieces of the retainer and install the new hardware.

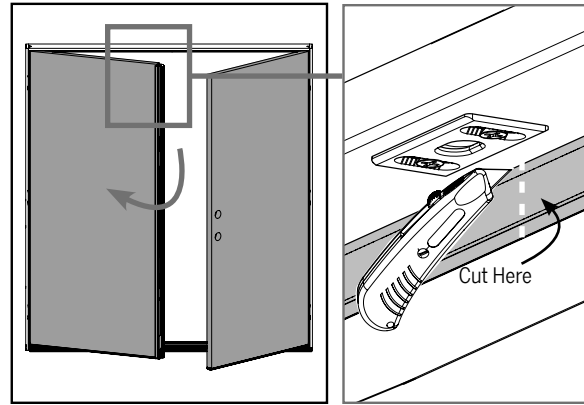


e. Resize the trim strip to fit flush against the deadbolt and strike plates and install into the astragal.

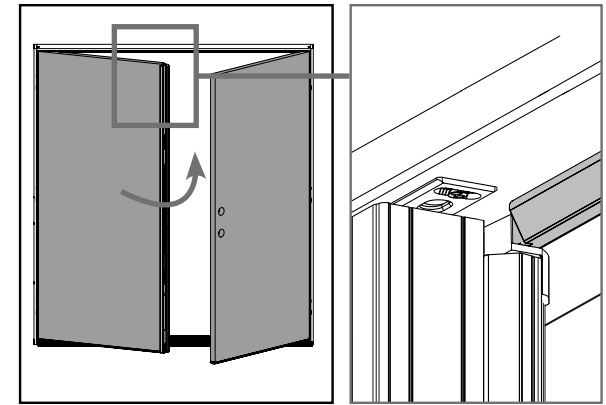
### STEP 3: CUT WEATHERSTRIP AT HEADER



**a.** Close the inactive door. Make a mark at the location where the trim cap contacts the weatherstrip.

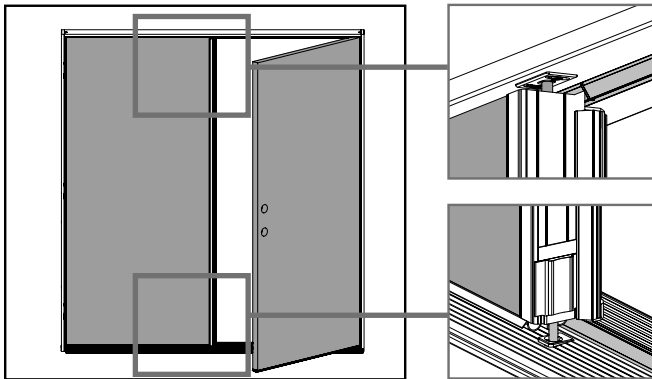


**b.** Open the inactive door. Using a utility knife, make a slit in the weatherstrip along the mark made.

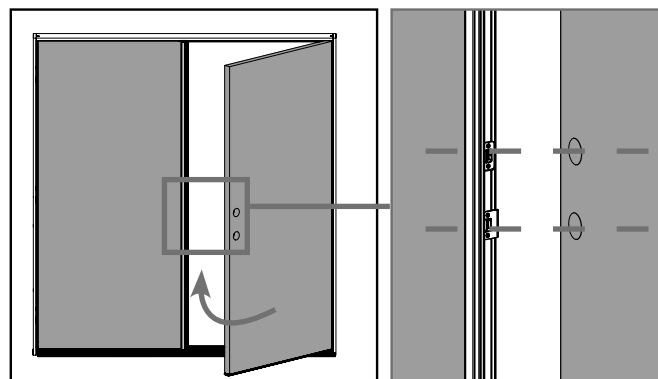


**c.** Close the inactive door panel and ensure the weatherstrip forms a secure seal around the trim cap.

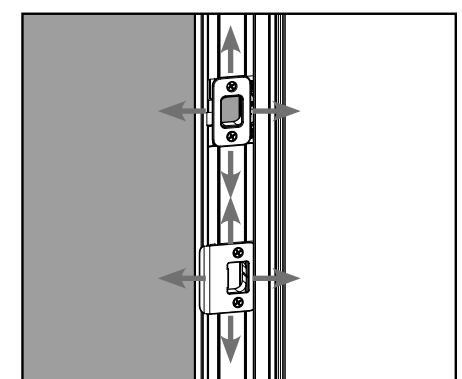
### STEP 4: CONFIRM PROPER INSTALLATION



**a.** With the inactive door panel closed, engage both the upper and lower bolts to ensure they fit into the bolt receivers smoothly.



**b.** Close the active door panel ensure the deadbolt and strike plates are aligned with the crossbores on the active panel.



**c.** If it is not aligned, loosen screws and slightly adjust the locations of the plates.