

# Ultimate Push Button Astragal

## Reversibility Instructions



8817 West Market Street  
Colfax, NC 27235 | 800.334.2006  
www.enduraproducts.com

### Tools Required:

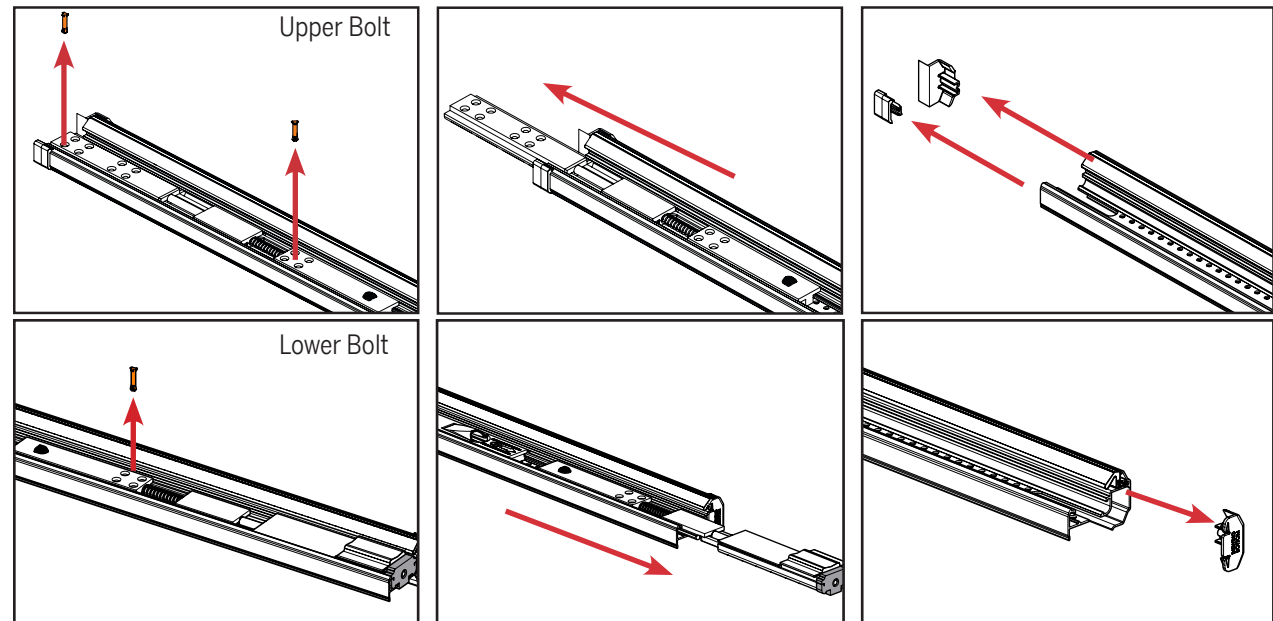
- Chop Saw
- Tape Measure
- Pencil/Marker

### Kit Includes:

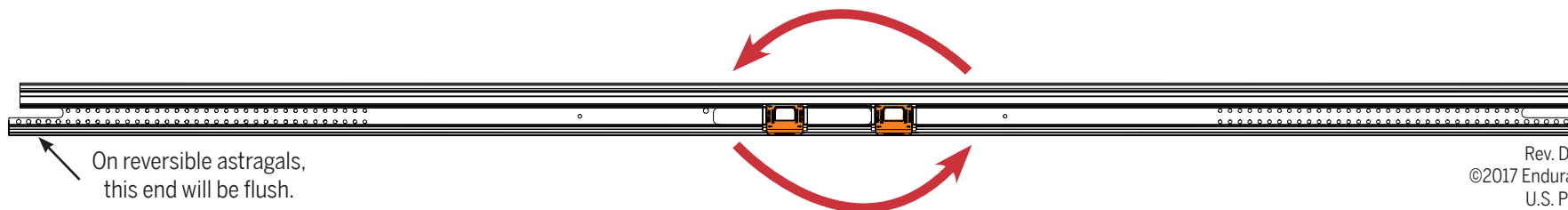
- Upper and Lower Trim Caps
- Tail Caps (2)

## STEP 1: REVERSE THE ASTRAGAL

**a. Remove astragal components:** Remove the two orange securing pins from the upper bolt sleeve and slide the bolt out of the astragal. Remove upper trim cap and tail cap if present. Remove the orange securing pin from the lower bolt and slide the bolt out of the astragal. Remove the lower trim cap.

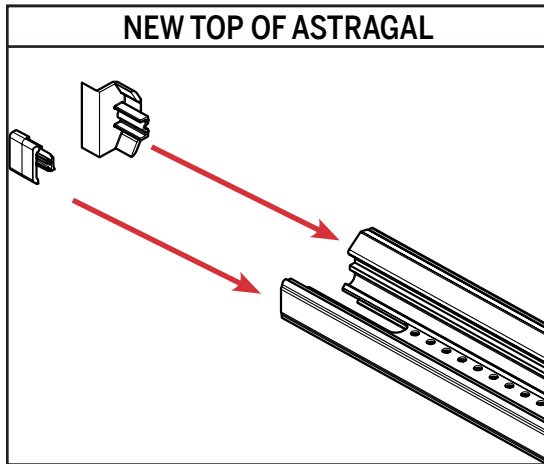


**b. Reverse the astragal:** Rotate the astragal so the upper and lower ends are reversed.

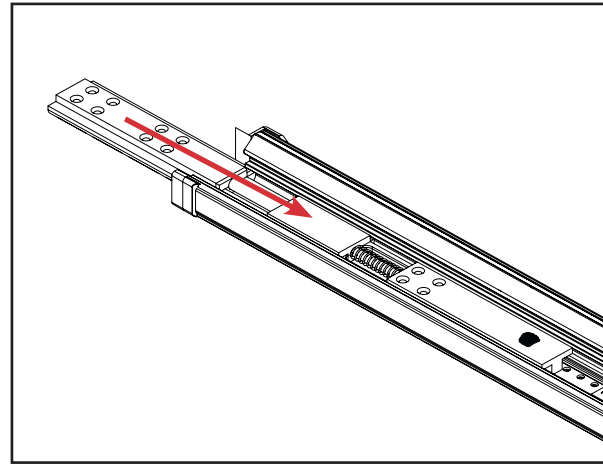


Rev. Date: 05.17.2017  
©2017 Endura Products, Inc.  
U.S. Patents Pending

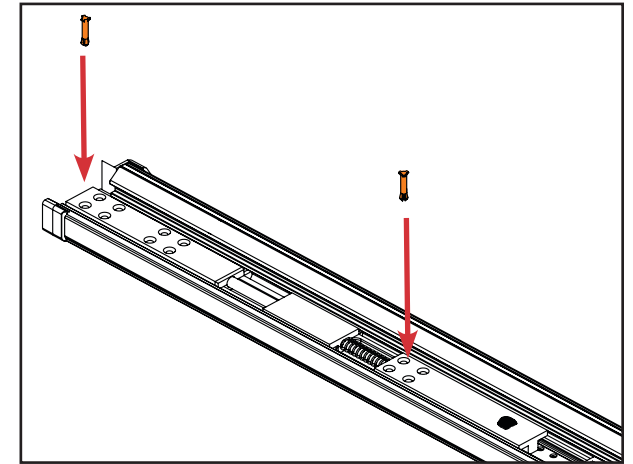
## STEP 2: REINSTALL THE UPPER BOLT



a. On what is now the top of the astragal, install the upper trim cap on the **wide side** and a tail cap on the **narrow side**.



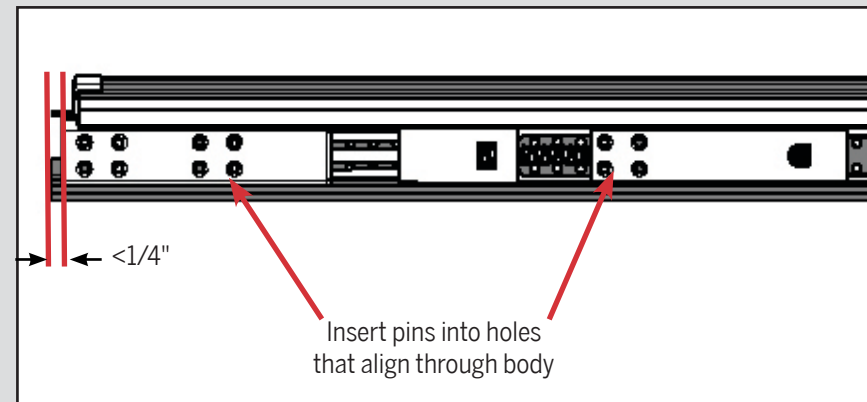
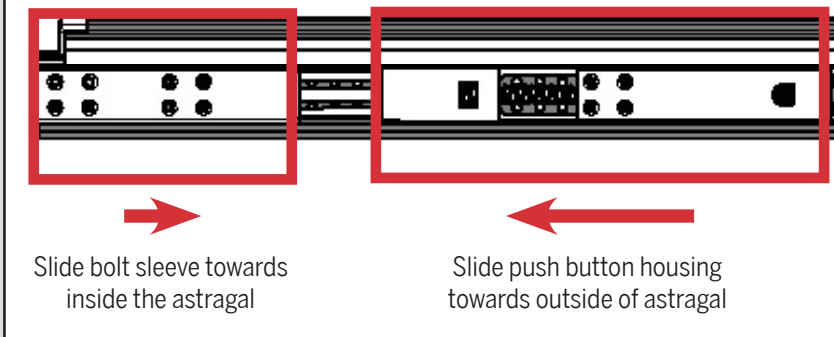
b. Return the upper bolt by sliding it back into the astragal body until the end of the bolt sleeve is flush with the end of the astragal.



c. Insert the two orange securing pins into the bolt in the holes that align with the holes in the astragal body. (See below if holes are not aligned.)

### To align screw holes in the bolt:

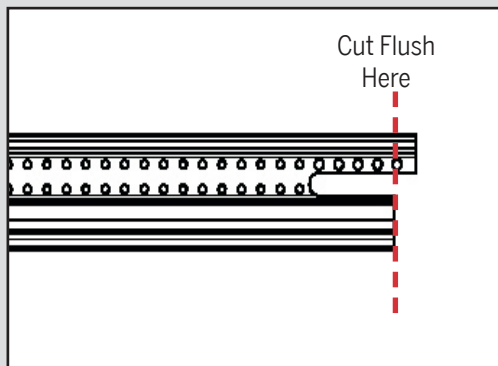
\* Body is darkened to show contrast.



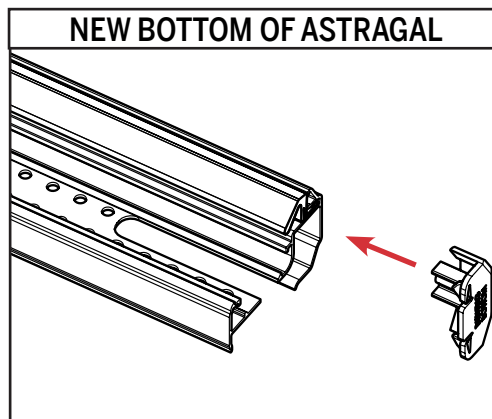
If the holes on the bolt do not align with the holes in the astragal body, adjust the location of the bolt sleeve and/or the push button housing to align the holes and then insert the orange securing pins. The bolt sleeve may be up to 1/4" inset from the end of the astragal.

## STEP 3: REINSTALL THE LOWER BOLT

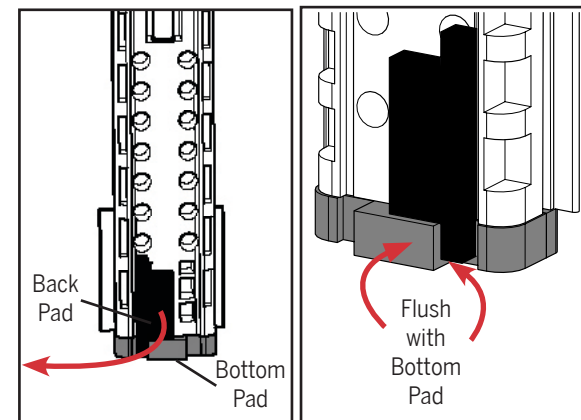
**!** For non-reversible astragals only:



To make what is now considered the bottom of the astragal flush, cut the **narrow side** of the astragal, using a chop saw. If you ordered a reversible astragal, you will not need to perform this step, as this end of the astragal will already be flush.

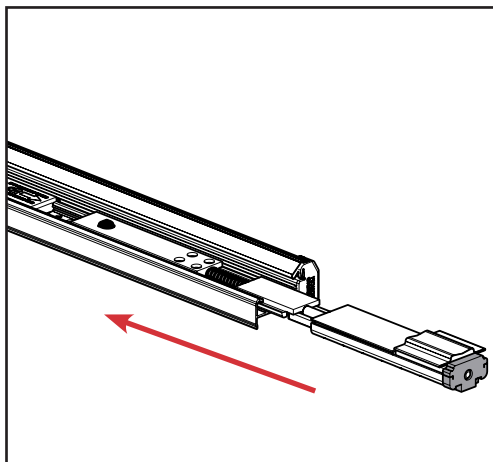


**a.** Reinstall the lower trim cap on to the astragal.

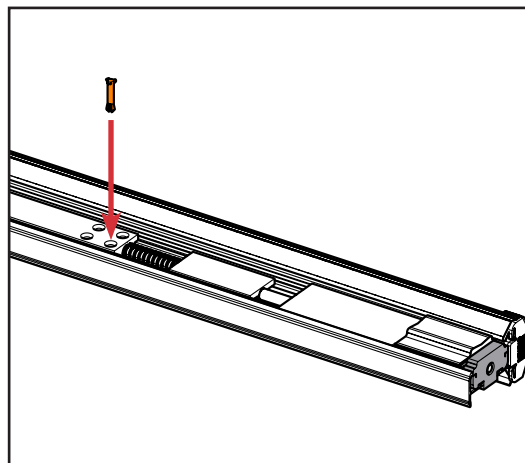


**b.** Before replacing the lower bolt, remove the existing back pad and place a new one mirroring the original pad.

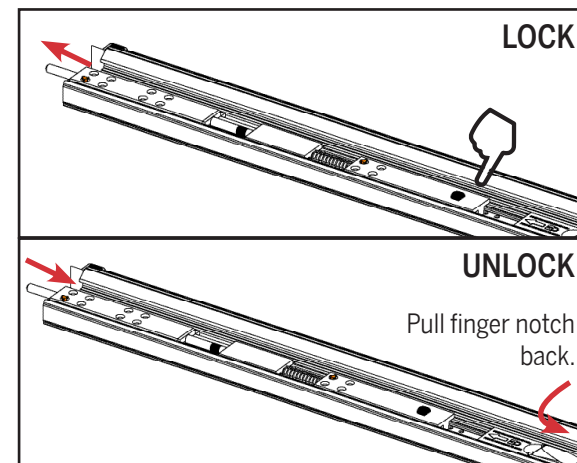
**!** Do not remove or damage the bottom pad.



**c.** With the bolt in the unlocked position, slide the lower bolt back into the astragal.



**d.** Insert the orange securing pin into the hole on the bolt sleeve that aligns with the hole in the astragal body. If holes do not align, see gray box on Page 2 to align holes.



**e.** Confirm proper bolt operation by pushing the black button to engage the bolt and pulling back the finger notch to retract it.