

# Ultimate Lite Astragal

## Reversibility Instructions



8817 West Market Street  
Colfax, NC 27235 | 800.334.2006  
www.enduraproducts.com

### Tools Required:

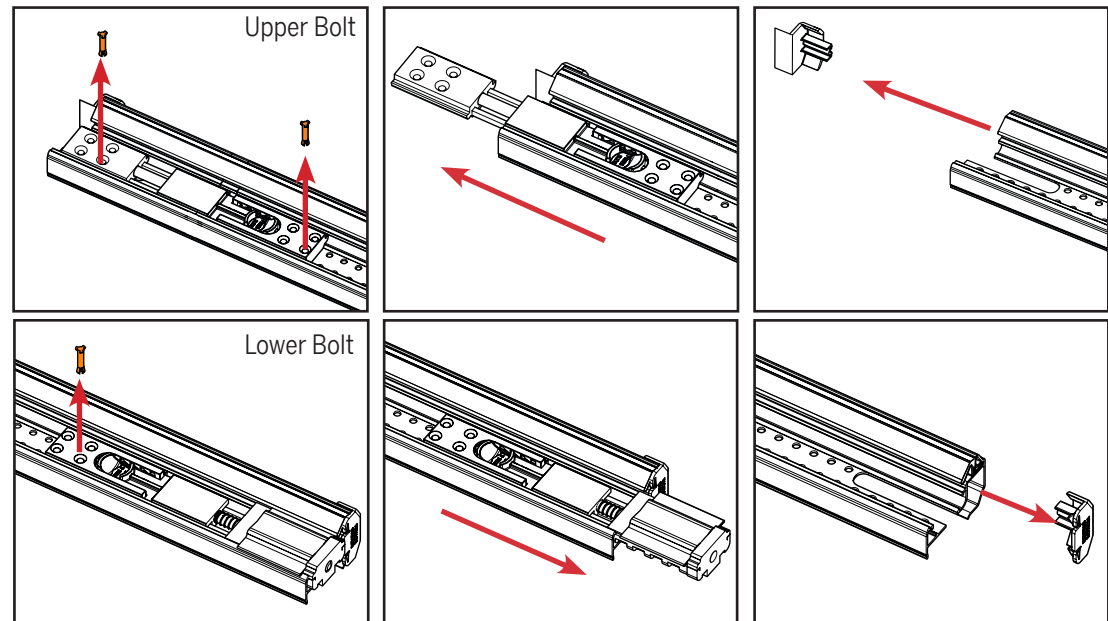
- Chop Saw
- Tape Measure
- Pencil/Marker

### Kit Includes:

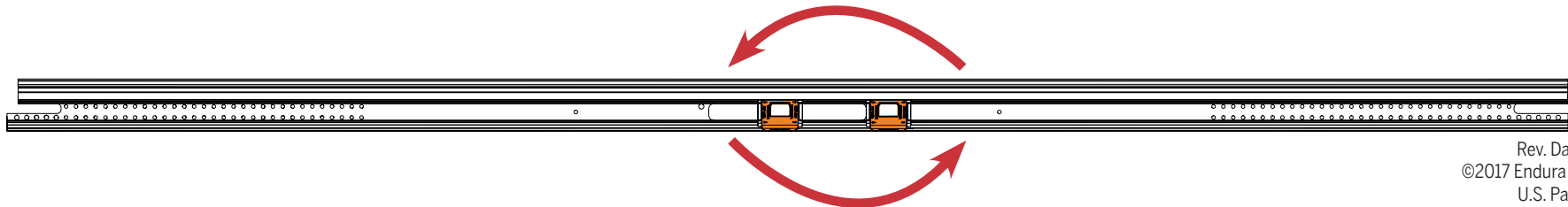
- Upper and Lower Trim Caps
- Tail Caps (2)

## STEP 1: REVERSE THE ASTRAGAL

**a. Remove upper and lower bolts:** Remove the orange securing pins (two on upper, one on lower bolt) and slide the bolts out of the astragal. Remove the upper and lower trim caps and tail cap (if present).

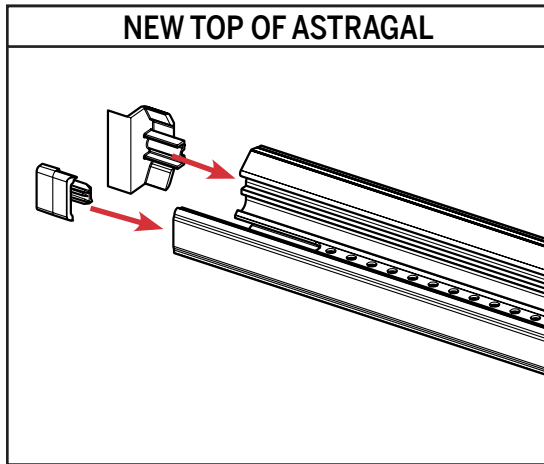


**b. Reverse the astragal:** Rotate the astragal so the upper and lower ends are reversed.

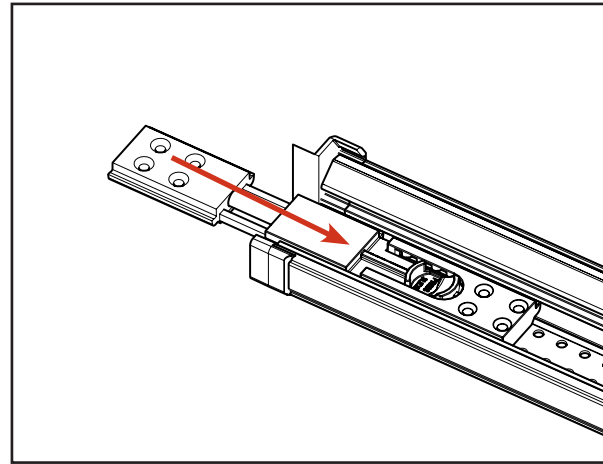


Rev. Date: 05.17.2017  
©2017 Endura Products, Inc.  
U.S. Patents Pending

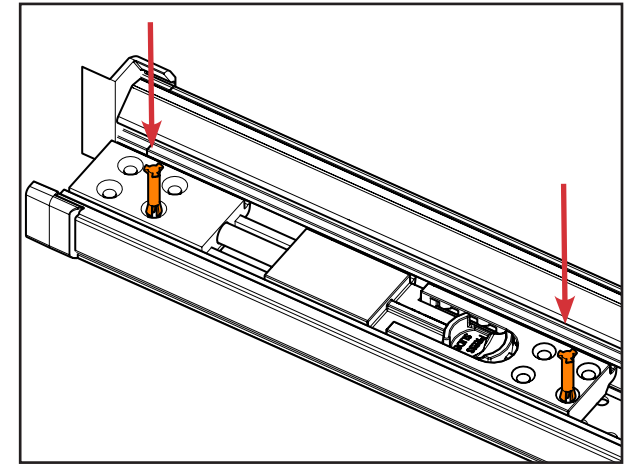
## STEP 2: REINSTALL THE UPPER BOLT



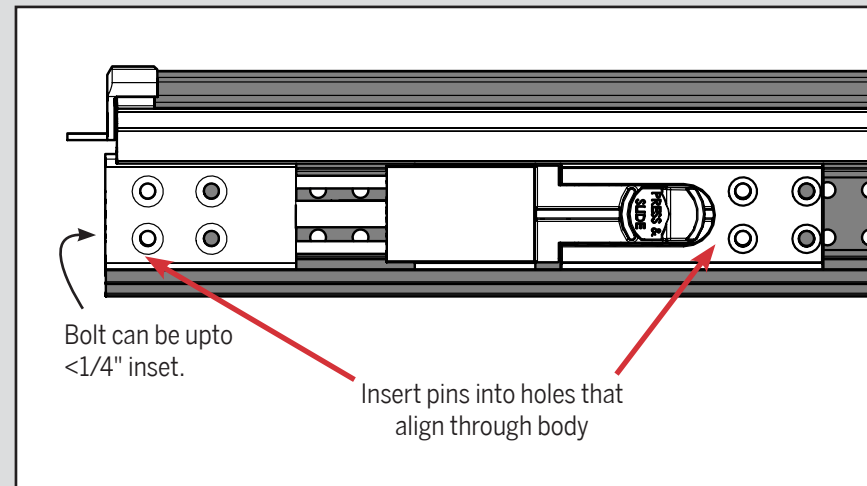
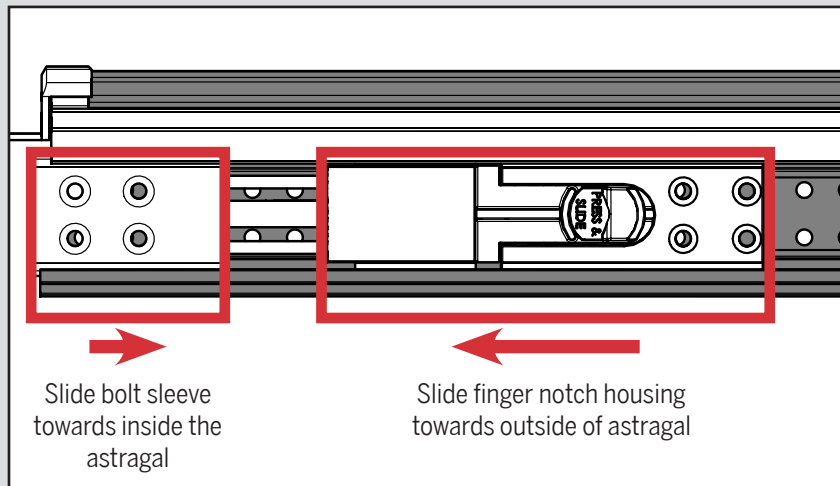
**a.** On what is now the top of the astragal, install the upper trim cap on the **wide side** and a tail cap on the **narrow side**.



**b.** Return the upper bolt by sliding back into the astragal body until the end of the bolt sleeve is flush with the end of the astragal.

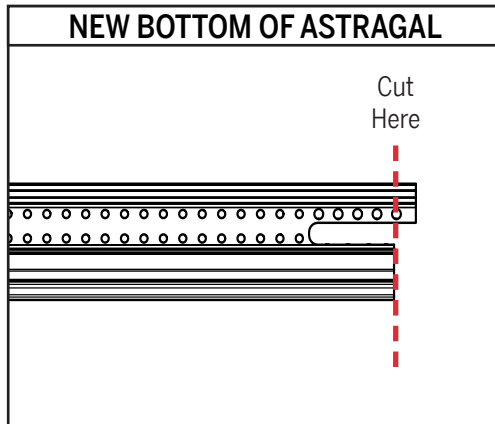


**c.** Insert the two orange securing pins into the bolt in the holes that align with the holes in the astragal body. (See below if holes are not aligned.)

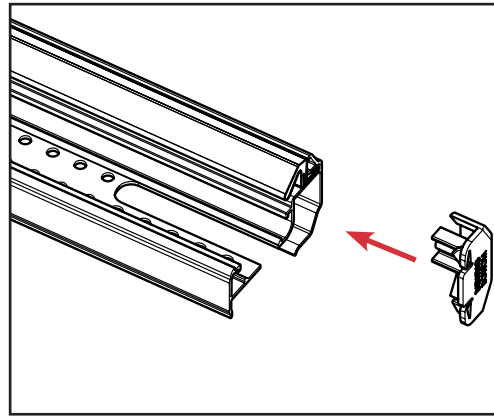


If the holes on the bolt do not align with the holes in the astragal body, adjust the location of the bolt sleeve and/or the finger notch housing to align the holes and then insert the orange securing pins. The bolt sleeve may be up to  $1/4''$  inset from the end of the astragal.

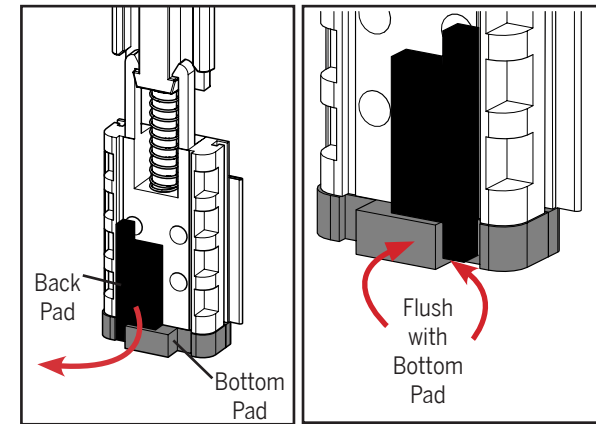
## STEP 3: REINSTALL THE LOWER BOLT



a. Using a chop saw, cut the **narrow side** of the astragal, so it is flush with the wide side.



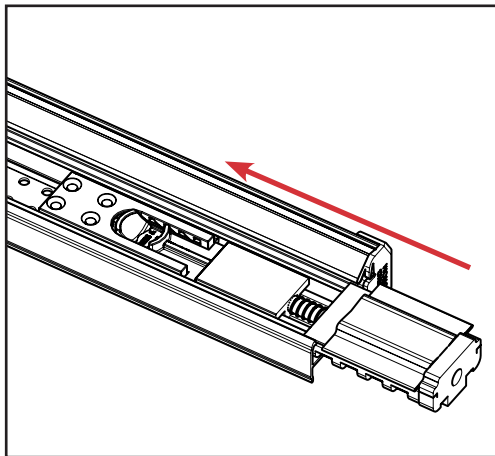
b. Reinstall the lower trim cap on to the astragal.



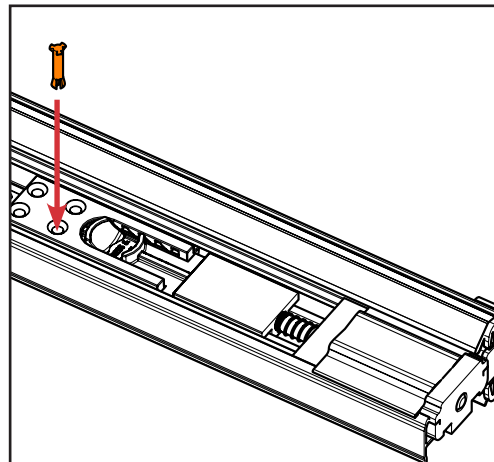
c. Before replacing the lower bolt, remove the existing back pad and place a new one mirroring the original pad.



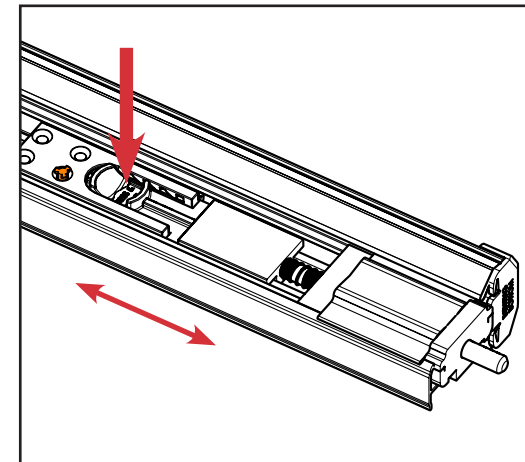
**Do not remove or damage the bottom pad**



d. With the bolt in the unlocked position, slide the lower bolt back into the astragal.



e. Insert the orange securing pin into the hole on the bolt sleeve that aligns with the hole in the astragal body. If holes do not align, see gray box on Page 2 to align holes.



f. Confirm proper bolt operation by pressing down on the finger notch to pull and retract it.