

# Ultimate Hurricane Astragal

## Outswing Field Installation Instructions



8817 West Market Street  
Colfax, NC 27235 | 800.334.2006  
www.enduraproducts.com

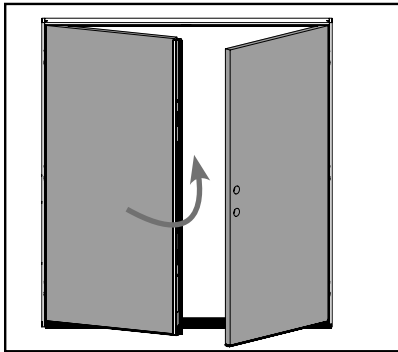
### Tools Required:

- Pencil/Marker
- Utility Knife
- Drill (3/8" and 5/8" Bits)

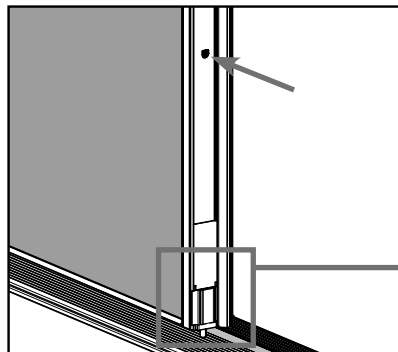
### Kit Includes:

- Hurricane Plate (2)
- #8 x 3" Screws (8)

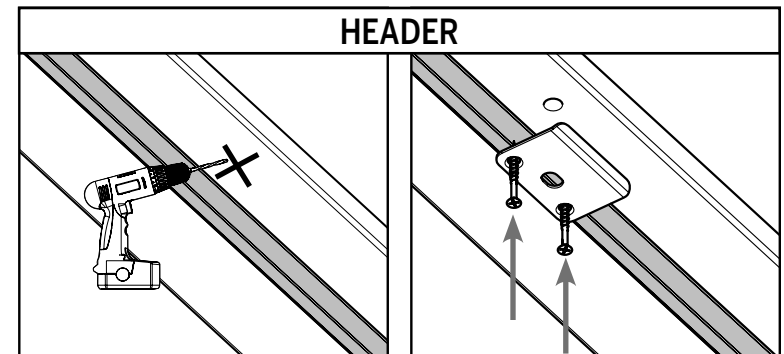
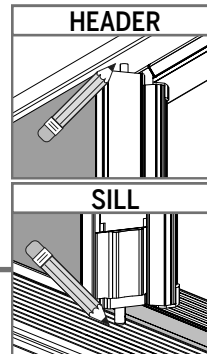
## STEP 1: INSTALL HEADER AND SILL BOLT RECEIVERS



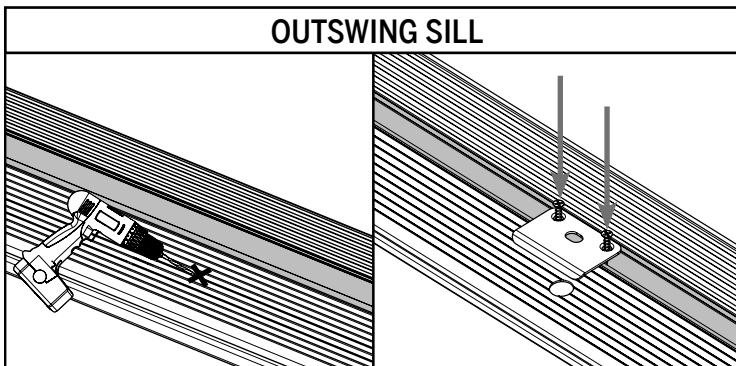
a. Close the inactive door panel until the weatherstrip on the header is compressed.



b. Press and engage the upper and lower bolts so the bolt pins come in contact with the header and the sill. Mark these points of contact.



c. At the marked location on the header, drill a hole **3/8" in diameter** and at least **1-3/8" deep**. Install a hurricane plate into the header, using two #8 x 3" screws.

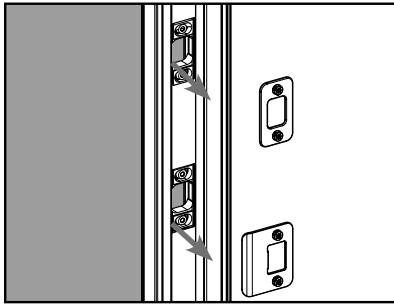


d. At the marked location on the sill, drill a hole **5/8" in diameter** and at least **1-3/8" deep**. Install the other hurricane plate into the sill, using two #8 x 3" screws.

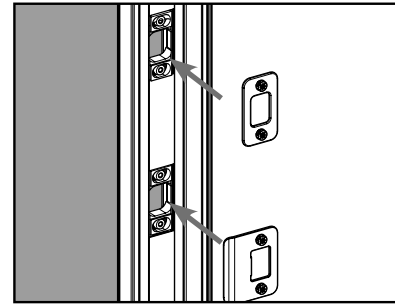
#211159-HUR-O-FP

Rev. Date: 6.11.2018  
©Endura Products, Inc.  
Innovation protected under patents and patents pending  
in U.S. and Canada. See [www.EnduraPatents.com](http://www.EnduraPatents.com)

## STEP 2: INSTALL STRIKE AND DEADBOLT PLATES

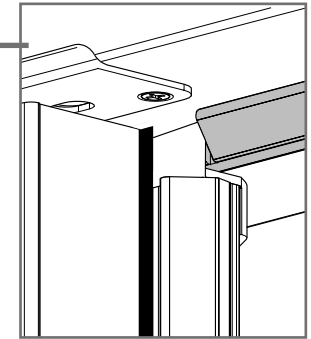
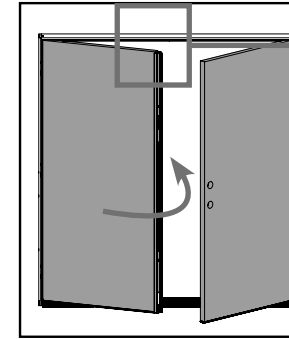
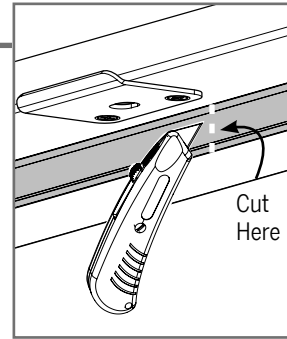
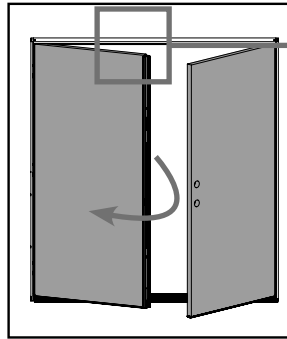
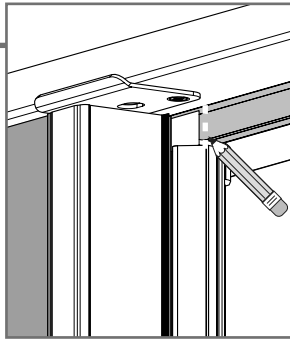
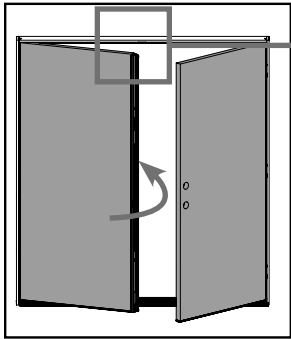


**a.** If installing new strike and deadbolt plates, remove the screws securing the old plates.



**b.** Install the new hardware into the retainers by tightening the screws through the holes in the plates.

## STEP 3: CUT WEATHERSTRIP AT HEADER

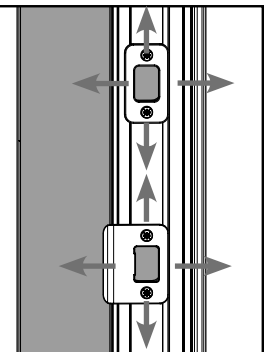
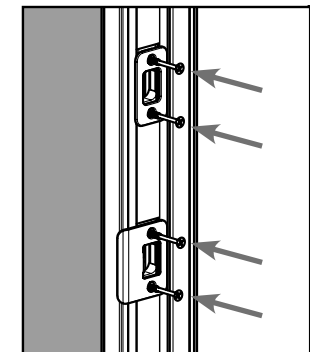
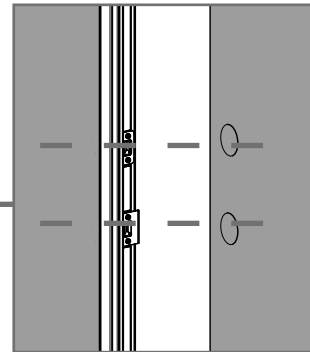
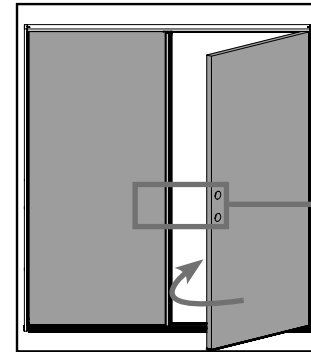
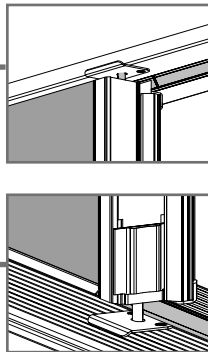
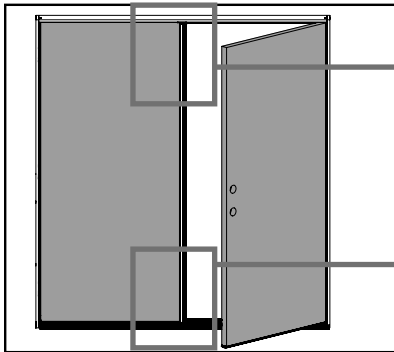


**a.** Close the inactive door. Make a mark at the location where the trim cap contacts the weatherstrip.

**b.** Open the inactive door. Using a utility knife, make a slit in the weatherstrip along the mark made.

**c.** Close the inactive door panel. Ensure the weatherstrip forms a secure seal around the trim cap.

## STEP 4: CONFIRM PROPER INSTALLATION



**a.** With the inactive door panel closed, engage both the upper and lower bolts to ensure they fit into the bolt receivers smoothly.

**b.** Close the active door panel and ensure the deadbolt and strike plates are aligned with the crossbore holes in the active door panel.

**c.** Replace the screws securing the strike and deadbolt plates with #8 x 3" screws. If the plates are misaligned, loosen the screws and adjust the location accordingly.