

Ultimate Hurricane Astragal

Reversibility Instructions



8817 West Market Street
Colfax, NC 27235 | 800.334.2006
www.enduraproducts.com

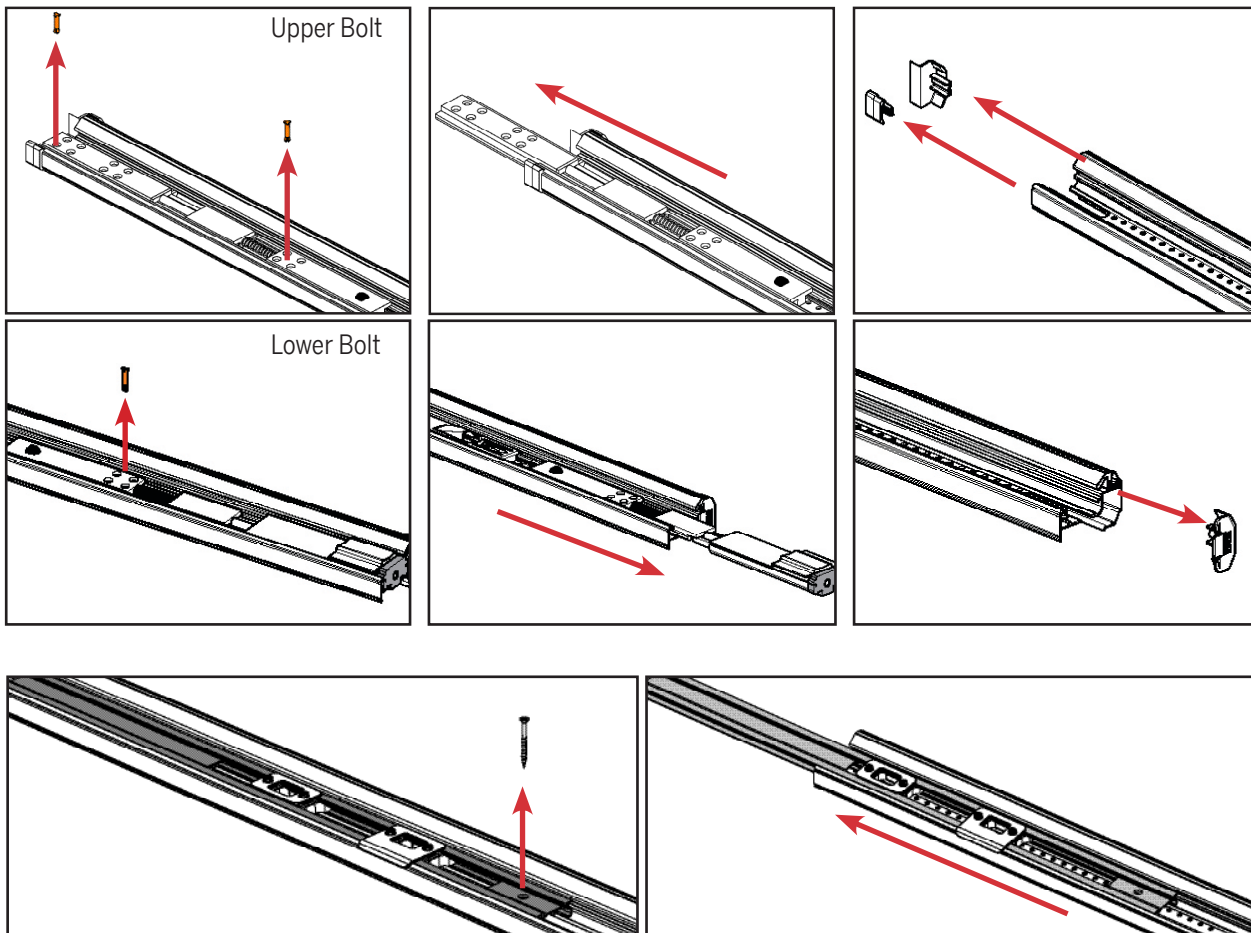
Tools Required:

- Chop Saw
- Tape Measure
- Pencil/Marker

Kit Includes:

- Upper and Lower Trim Caps
- Tail Caps (2)

STEP 1: REVERSE THE ASTRAGAL

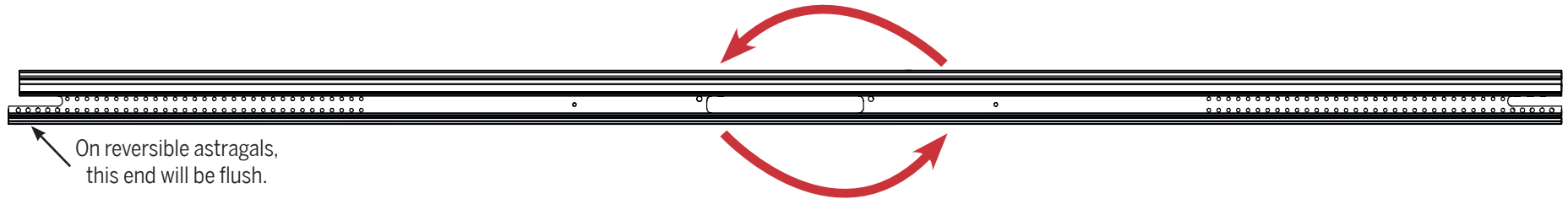


a. Remove astragal components: Remove the orange securing pins (two on upper bolt, one on lower bolt) and slide the upper and lower bolts out of the astragal. Remove the upper and lower trim caps and tail cap (if present).

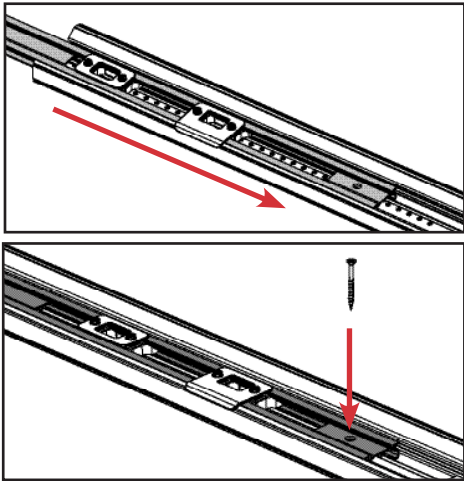
b. Remove strike support: Remove the screw that secures the strike support and slide the strike support out of the astragal to remove.

STEP 1 (CONT.): REVERSE THE ASTRAGAL

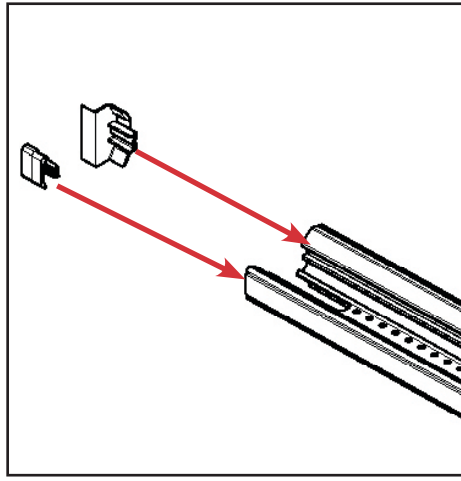
c. **Reverse the astragal:** Rotate the astragal so the upper and lower ends are reversed.



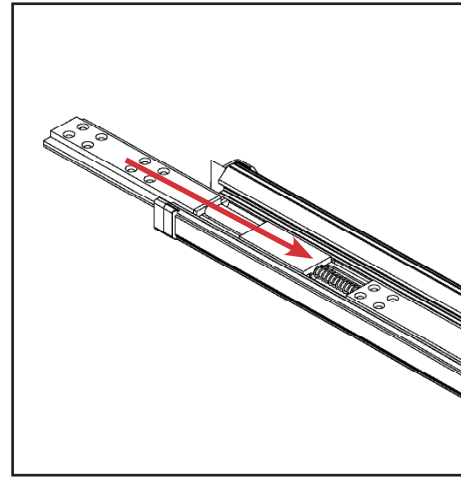
STEP 2: REINSTALL THE STRIKE SUPPORT AND UPPER BOLT



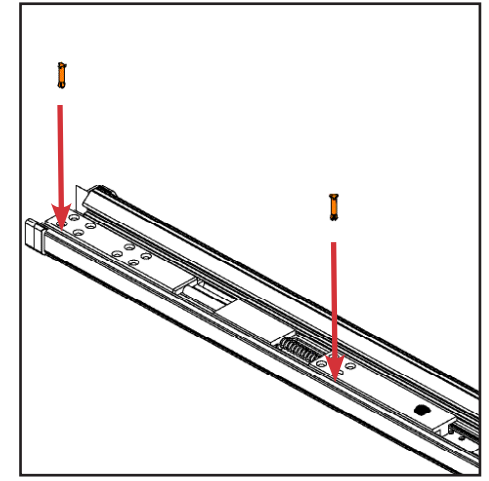
a. Slide the strike support back into the reversed astragal, ensuring the screw hole is towards the new bottom of the astragal. Reinstall the screw to secure the strike support in the middle of the astragal.



b. On what is now the top of the astragal, install the upper trim cap on the **wide side** and a tail cap on the **narrow side**.



c. Return the upper bolt by sliding it back into the astragal body until the end of the bolt sleeve is flush with the end of the astragal.

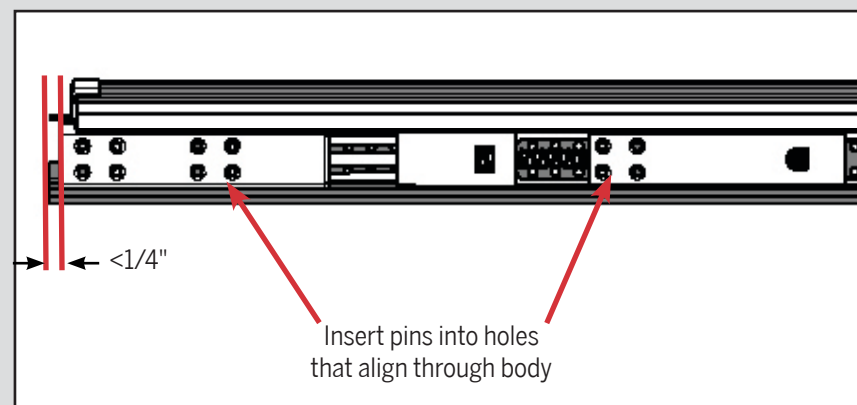
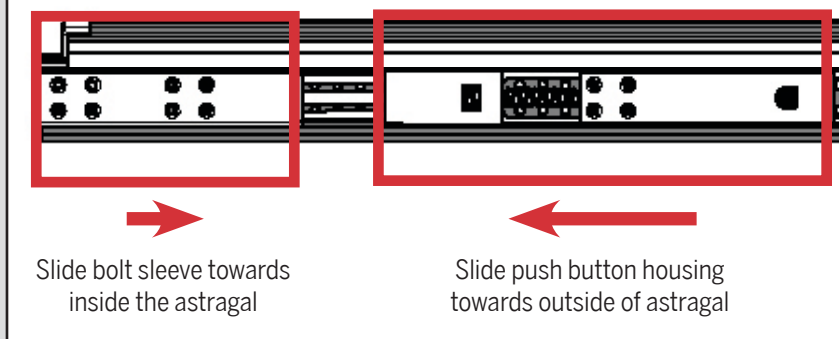


d. Insert the two orange securing pins into the bolt in the holes that align with the holes in the astragal body (See next page if holes are not aligned).

STEP 2 (CONT.): REINSTALL THE STRIKE SUPPORT AND UPPER BOLT

To align screw holes in the bolt:

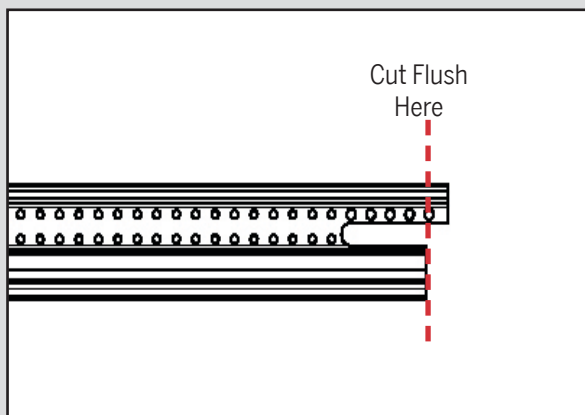
* Body is darkened to show contrast.



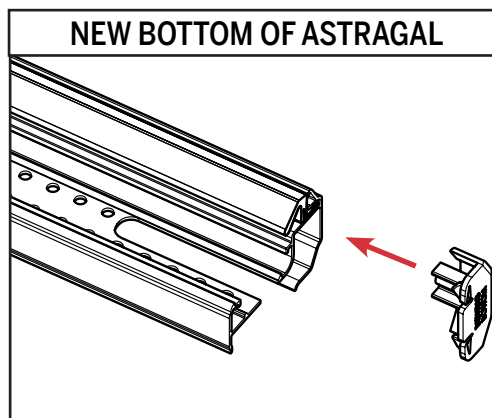
If the holes on the bolt do not align with the holes in the astragal body, adjust the location of the bolt sleeve and/or the push button housing to align the holes and then insert the orange securing pins. The bolt sleeve may be up to 1/4" inset from the end of the astragal.

STEP 3: REINSTALL THE LOWER BOLT

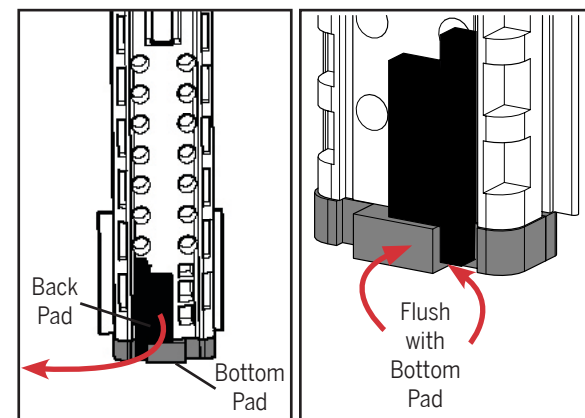
⚠ For non-reversible astragals only:



To make what is now considered the bottom of the astragal flush, cut the **narrow side** of the astragal, using a chop saw. If you ordered a reversible astragal, you will **not** need to perform this step, as this end of the astragal will already be flush.



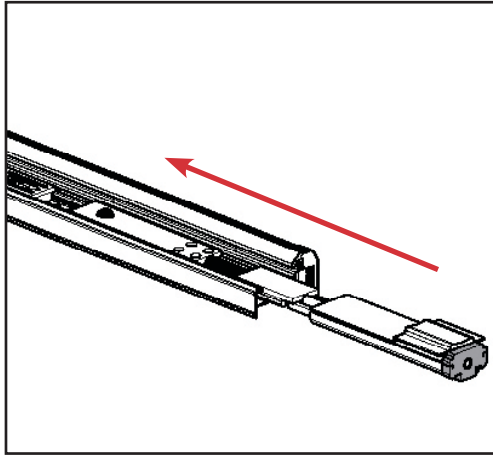
a. Reinstall the lower trim cap on to the astragal.



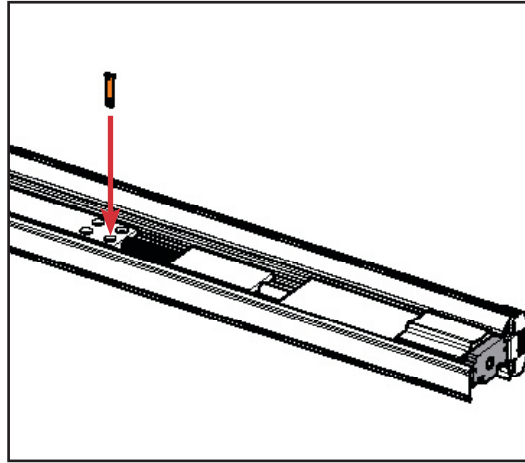
b. Before replacing the lower bolt, remove the existing back pad and place a new one mirroring the original pad.

⚠ Do not remove or damage the bottom pad.

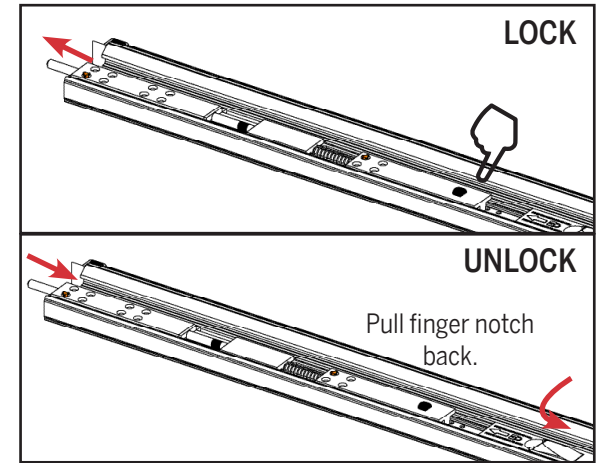
STEP 3 (CONT.): REINSTALL THE LOWER BOLT



c. With the bolt in the unlocked position, slide the lower bolt back into the astragal.



d. Insert the orange securing pin into the hole on the bolt sleeve that aligns with the hole in the astragal body. If holes do not align, see gray box on Page 3 to align holes.



e. Confirm proper bolt operation by pushing the black button to engage the bolt and pulling back the finger notch to retract it.