

# Ultimate Hurricane Astragal

## Cut Down Instructions



8817 West Market Street  
Colfax, NC 27235 | 800.334.2006  
www.enduraproducts.com

### Tools Required:

- Pencil/Marker
- Tape Measure
- Chop Saw

### Notes:

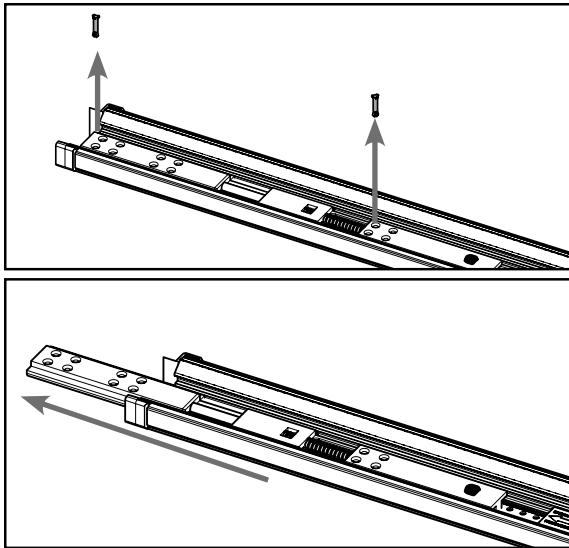
- All cuts should be made from the **top of the astragal**.
- Ultimate Hurricane Astragals can be cut down a maximum of 7".

### Optional Parts:



Tail Cap

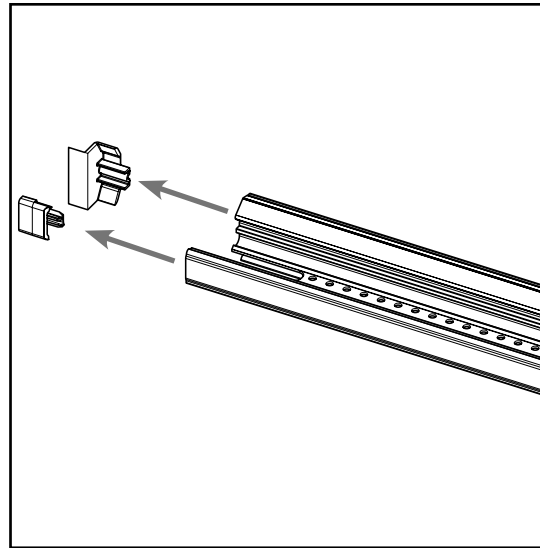
## STEP 1: INITIAL PREPARATION



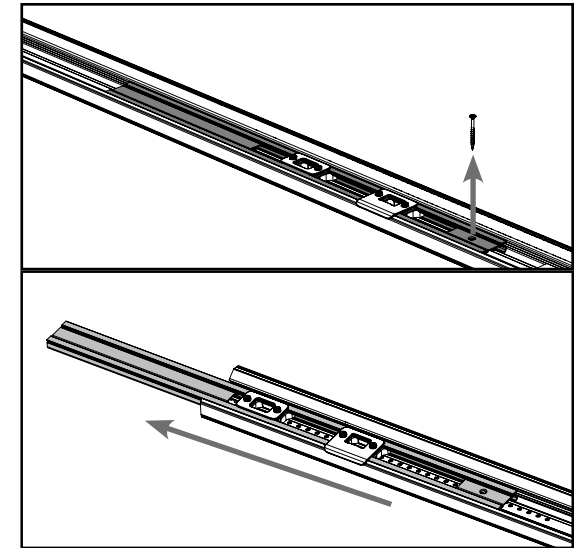
**a.** Remove the two orange securing pins on the upper bolt. Slide the bolt out of the astragal and remove.



**Ensure the upper bolt is in the unlocked position before removing.**



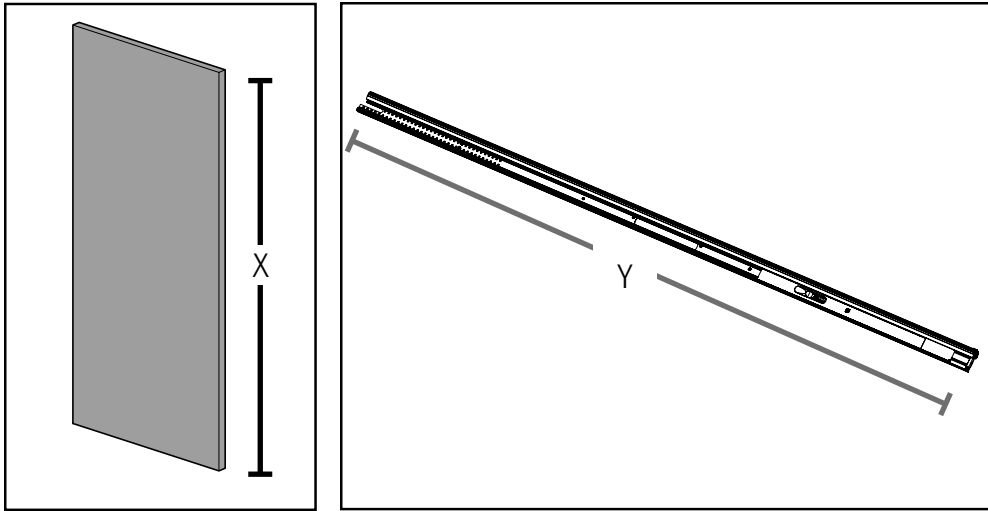
**b.** Remove the upper trim cap, and tail cap if present, and set aside.



**c.** Remove screw from the strike support and slide the strike support out of the astragal body.

Rev. Date: 05.07.2018  
©2017 Endura Products, Inc.  
Innovation protected under patents and patents pending in  
U.S. and Canada. See [www.EnduraPatents.com](http://www.EnduraPatents.com).

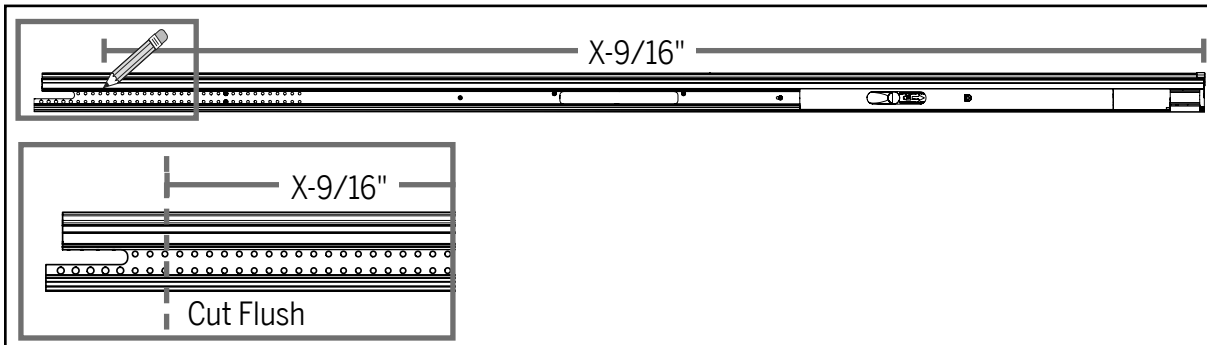
## STEP 1 (CONT.): INITIAL PREPARATION



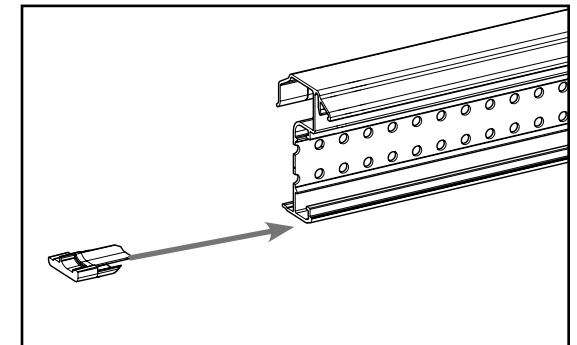
**d. Measure the length of the door panel and astragal:** Measure and note the height of the door panel (X). Measure the length of the astragal on the narrow side (Y). The difference (Y-X) will give you the cut down distance.

## STEP 2: CUT ASTRAGAL TO SIZE

IF YOU **DO** HAVE A TAIL CAP AVAILABLE:



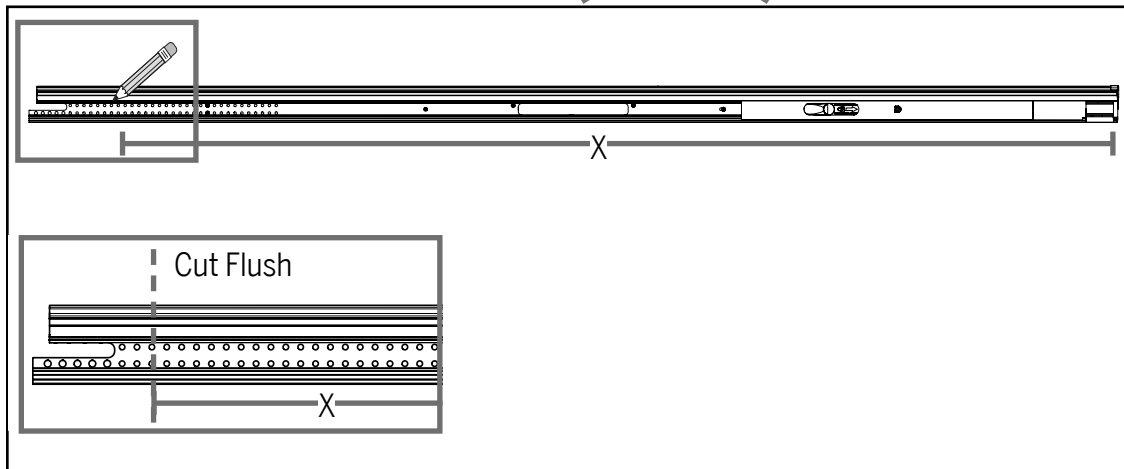
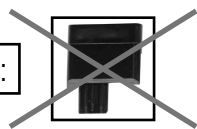
**a.** Starting at the bottom of the astragal and measuring along the **wide side**, measure and mark ( $X - 9/16$ \").



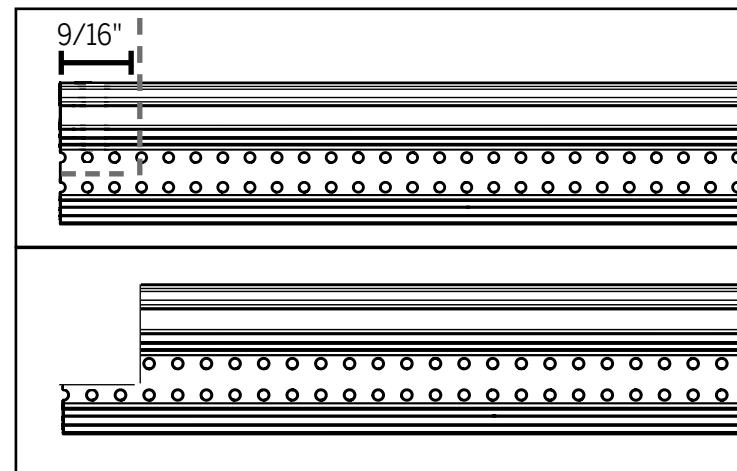
**b.** Insert the tail cap onto the **narrow side** of the astragal body. You may receive two tail caps, but only one will fit.

## STEP 2 (CONT.): CUT ASTRAGAL TO SIZE

IF YOU **DO NOT** HAVE A TAIL CAP AVAILABLE:

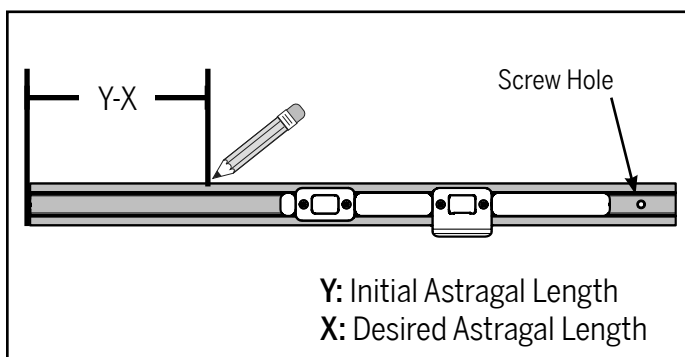


a. Starting at the bottom of the astragal and measuring along the **narrow side**, measure and mark (X) on the astragal. Cut the astragal flush at this location.

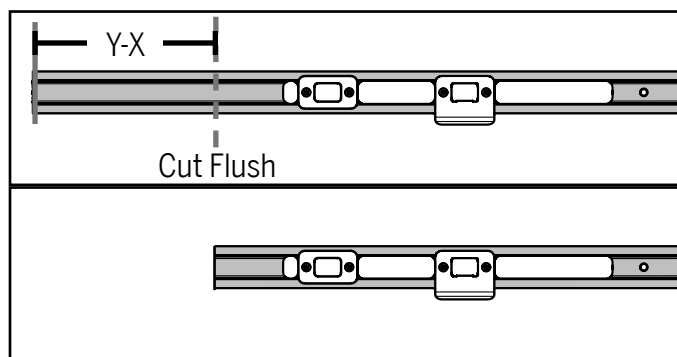


b. To renotch the astragal measure 9/16" from the cut end of the astragal. Using a chop saw, cut at this point, until the space between the rows of holes in the astragal body. **Do not cut it flush.**

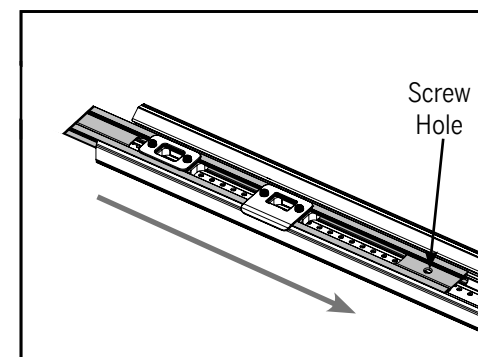
## STEP 3: CUT STRIKE SUPPORT



a. Measure and mark your cut down distance on the end of the strike support opposite to the screw hole.

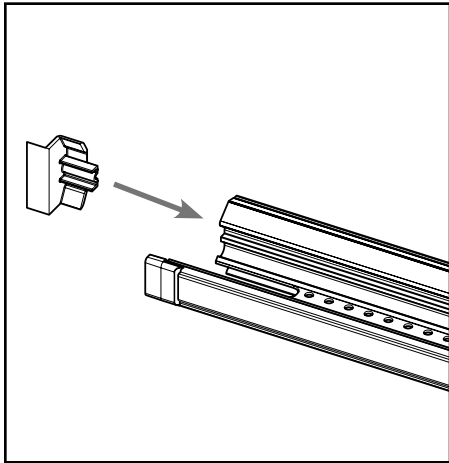


b. Using a chop saw, cut the strike support flush along the mark you made in the previous step.

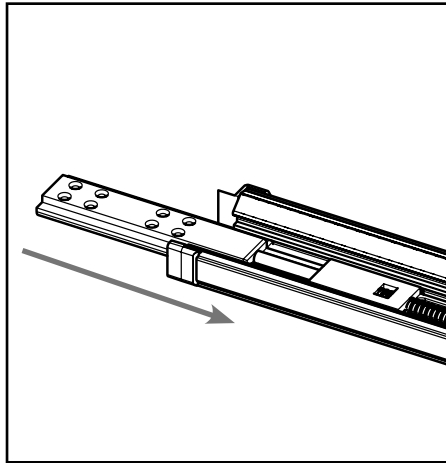


c. With the screw hole towards the inside, slide the strike support back to its original location and screw into place.

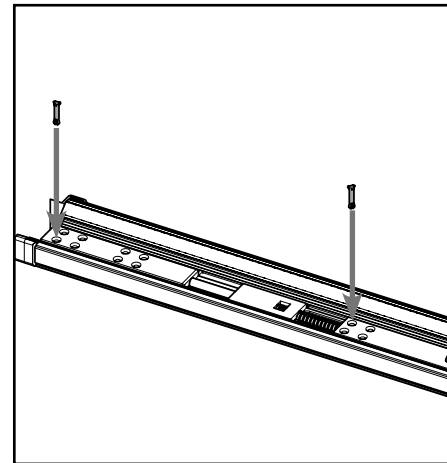
## STEP 4: REINSTALL THE UPPER BOLT



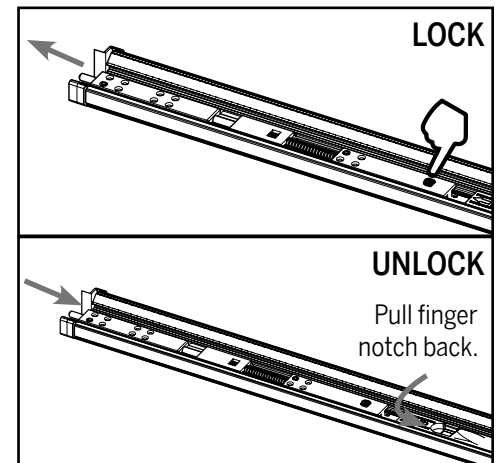
**a.** Reinstall the trim cap on the wide side of the astragal.



**b** Return the upper bolt by sliding back into the astragal body until the end of the bolt sleeve is flush with the end of the astragal.

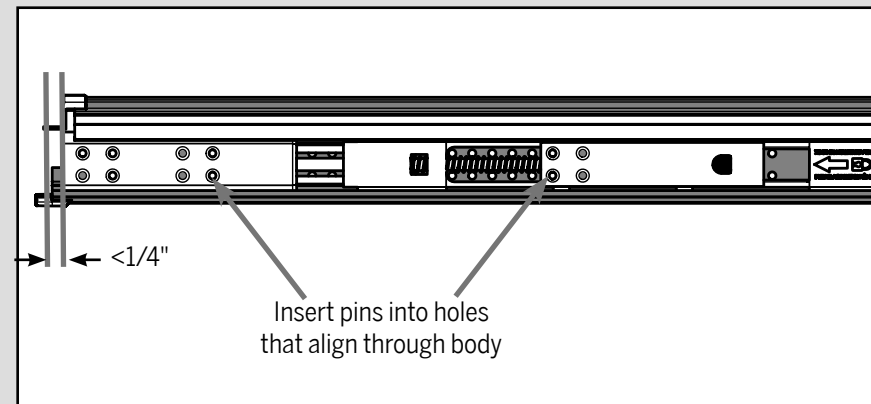
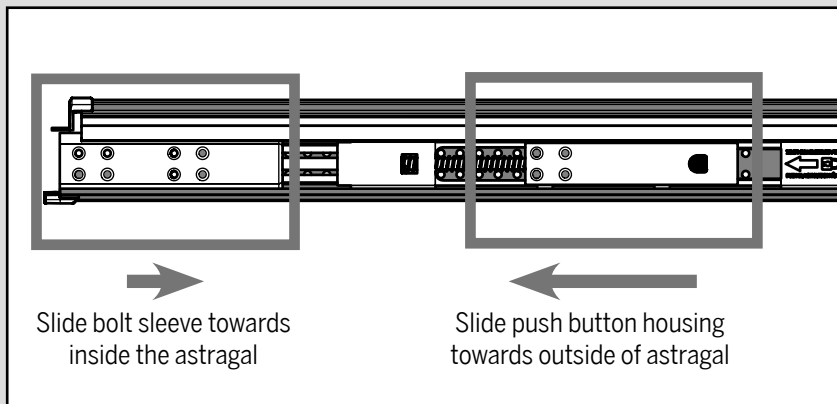


**c.** Insert the two orange securing pins into the bolt in the holes that align with the holes in the astragal body. (See below if holes are not aligned.)



**d.** Confirm proper bolt operation by pushing the black button to engage the bolt and pulling back with the finger notch to retract it.

Following cut down, the holes on the bolt **may not line up exactly** with holes in the astragal body.



If the holes on the bolt do not align with the holes in the astragal body, adjust the location of the bolt sleeve and/or the push button housing to align the holes and then insert the orange securing pins. The bolt sleeve may be up to 1/4" inset from the end of the astragal.