

# Ultimate Slide Bolt Astragal Trim Strip Replacement Instructions



8817 West Market Street  
Colfax, NC 27235 | 800.334.2006  
www.enduraproducts.com

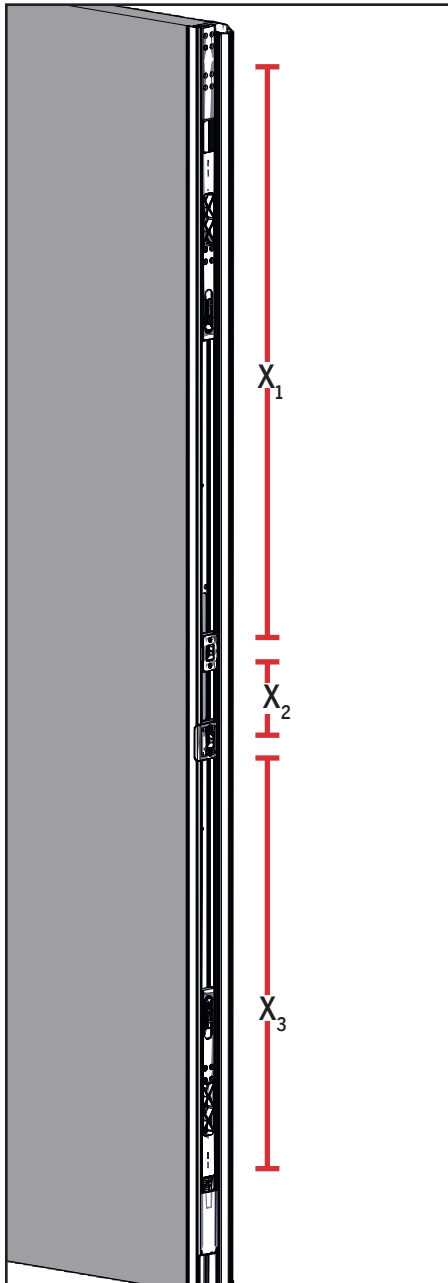
## Tools Required:

- Cutting Tool
- Tape Measure
- Pencil/Marker

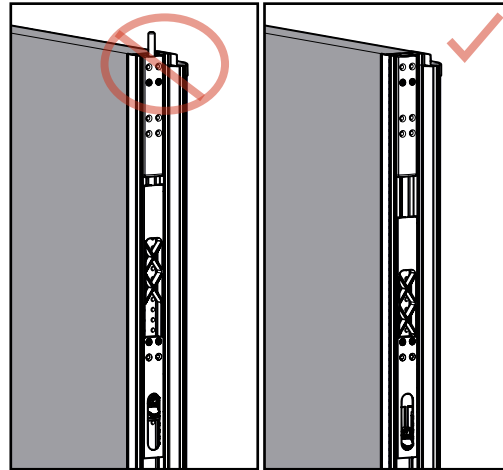
## Before you begin:

- Remove the old or damaged trim strip to be replaced.
- Ensure the strike and deadbolt plates are installed in the correct locations.

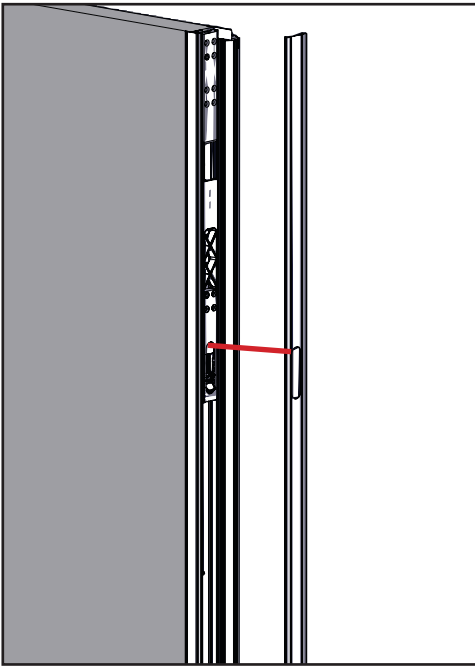
## STEP 1: MEASURE THE DISTANCE BETWEEN COMPONENTS



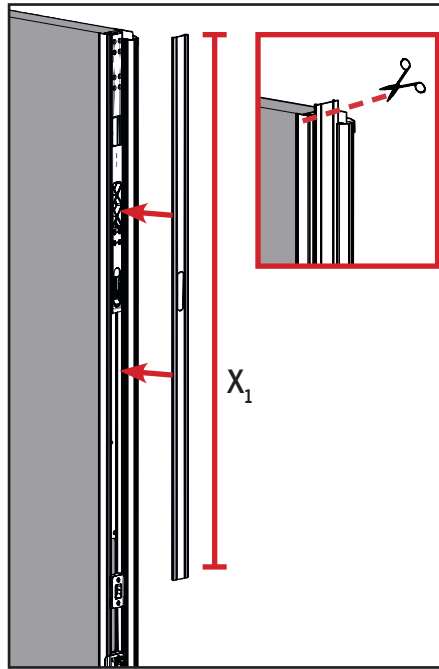
a. Measure the distance from the top of the astragal body to the deadbolt plate ( $X_1$ ), between the deadbolt plate and the strike plate and between the strike plate ( $X_2$ ) and the bolt sleeve on the lower bolt ( $X_3$ ). Ensure the bolts are in the retracted position to get an accurate measurement.



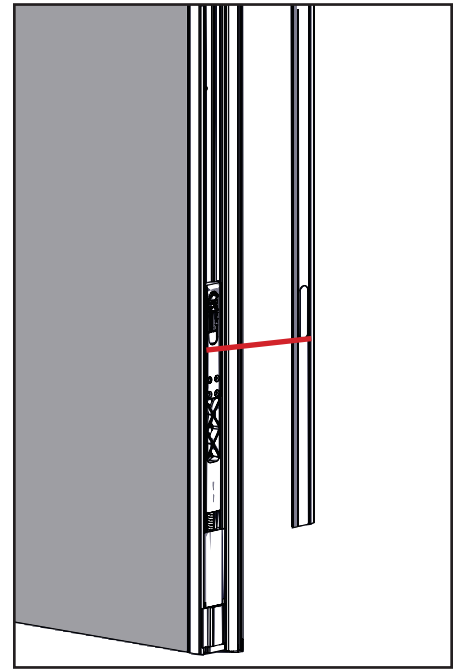
## STEP 2: ALIGN, SIZE AND INSTALL TRIM STRIP



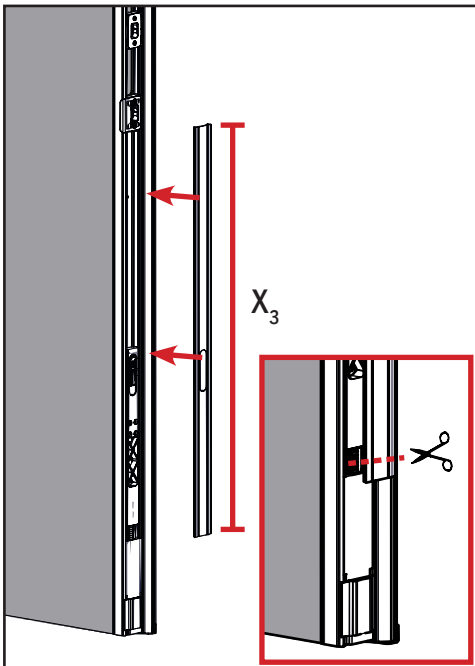
a. Align the oblong cutout in the trim strip with the finger grip on the upper bolt.



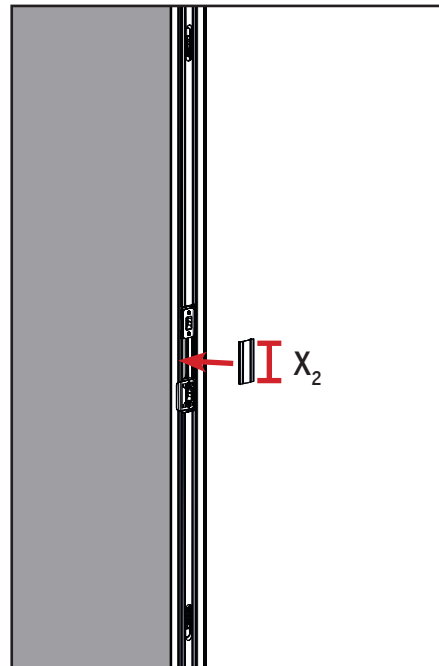
b. Cut the trim strip to the size ( $X_1$ ) measured in Step 1 and install on the upper half of the astragal. If there is any overhang past the top of the upper bolt, cut the trim strip to fit flush with the end of the astragal bolt,



c. Align the second oblong cutout of the trim strip with the finger grip on the lower bolt.



d. Cut the trim strip to match the length ( $X_3$ ) measured in Step 1 and install on the lower half of the astragal. Cut any overhang past the lower bolt sleeve.



e. Cut the remaining trim strip to match the length ( $X_2$ ) measured in Step 2 between the deadbolt and strike plates and install.