

# Ultimate Push Button Astragal Trim Strip

## Replacement Instructions

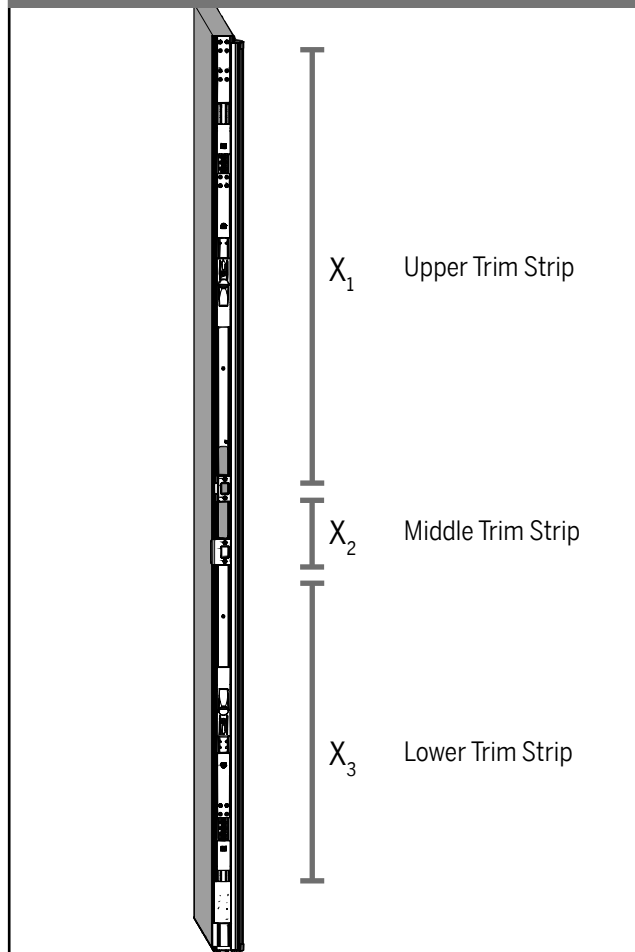


8817 West Market Street  
Colfax, NC 27235 | 800.334.2006  
www.enduraproducts.com

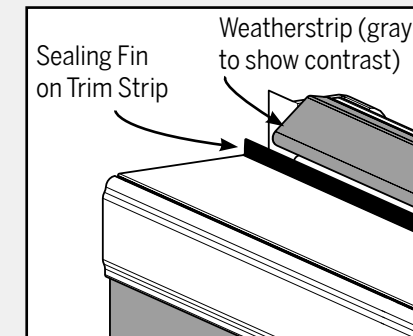
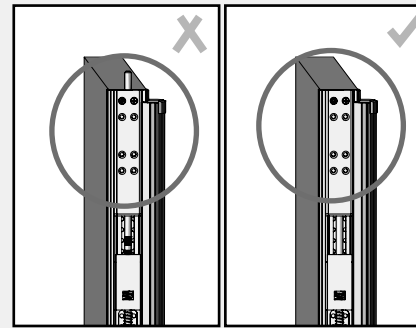
### Tools Required:

- Cutting Tool
- Tape Measure
- Pencil/Marker

### INSTALLATION OVERVIEW

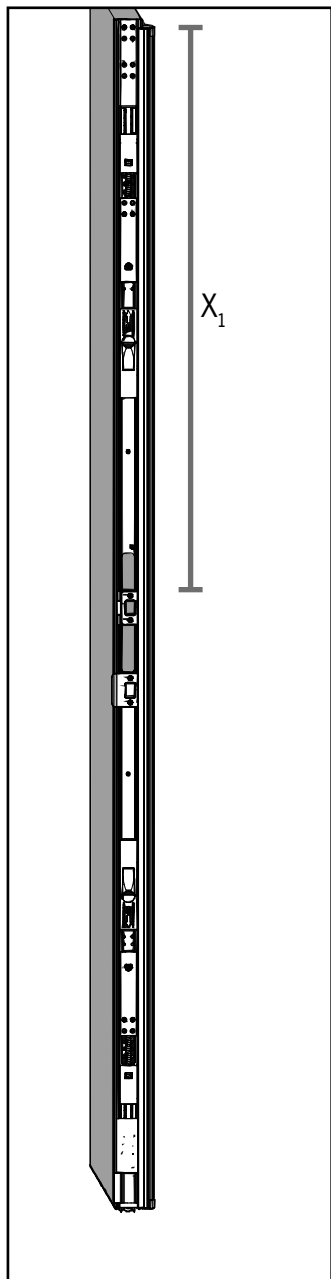


### Before you begin:

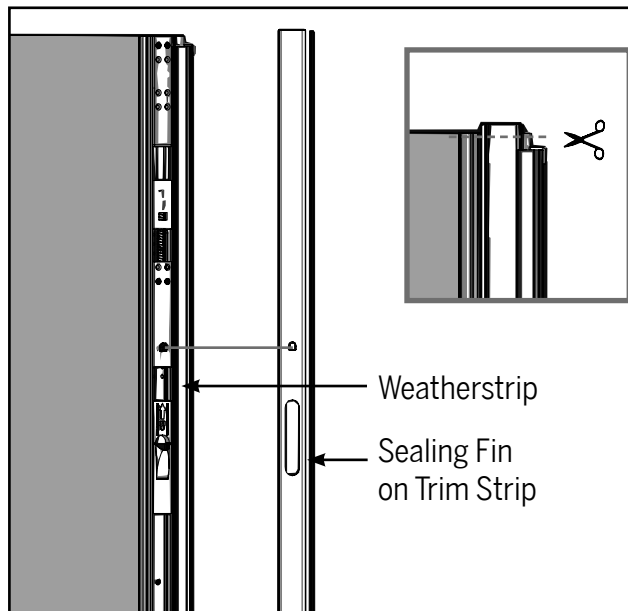


- Ensure the strike and deadbolt plates are properly installed in the accurate locations.
- Ensure the bolts are retracted for an accurate measurement and error-free installation.
- Prior to cutting the trim strip, ensure the sealing fin side of the trim strip is on the same side of the astragal as the weatherstrip.

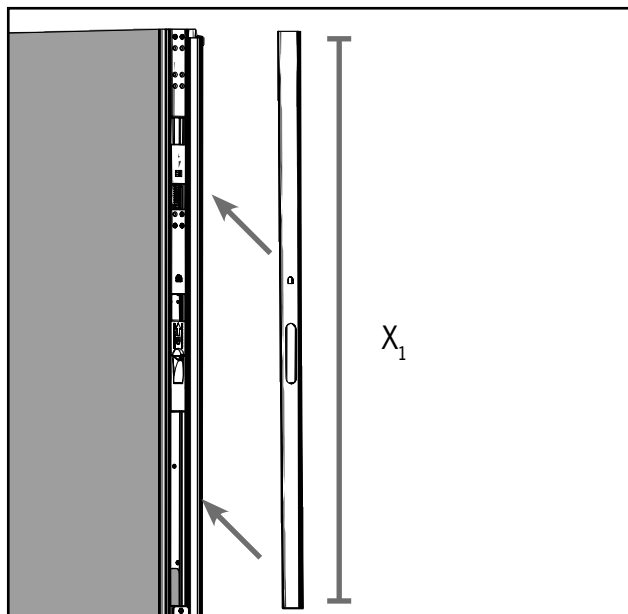
## STEP 1: MEASURE, SIZE AND INSTALL UPPER TRIM STRIP



**a.** Measure and note the distance from the top of the deadbolt plate to the top of the astragal ( $X_1$ ).

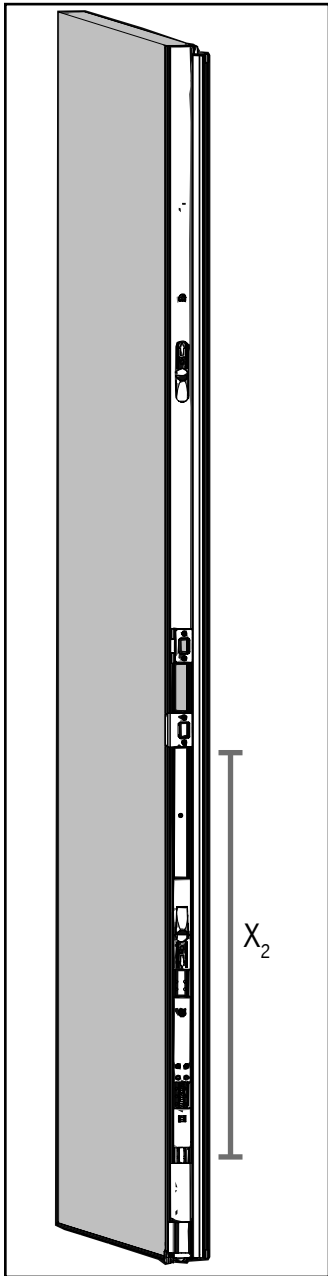


**b.** Align the D-shaped cutout on the trim strip with the push button on the upper bolt. If there is any overhang past the top of the upper bolt, cut the trim strip to fit flush with the end of the astragal. Ensure the side with the sealing fin is on the same side as the weatherstrip.

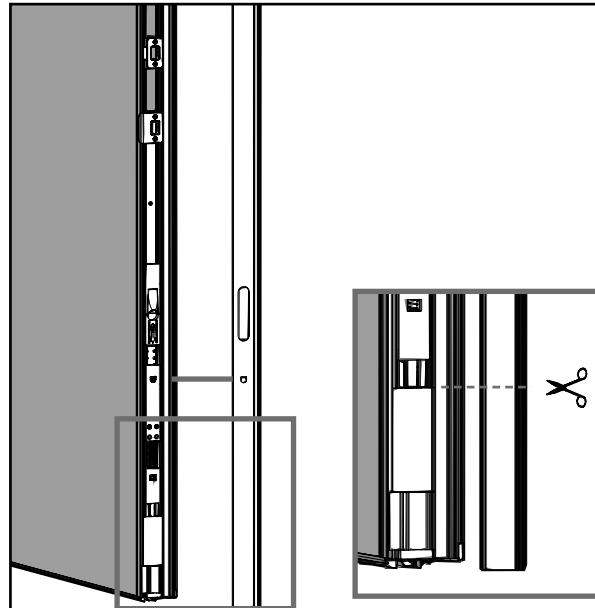


**c.** Cut the trim strip to size measured in Step 1a. Install sized trim strip onto the astragal body.

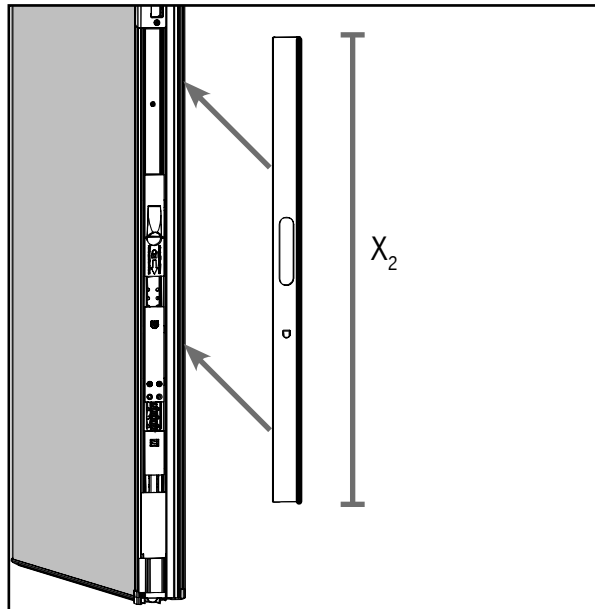
## STEP 2: MEASURE, SIZE AND INSTALL LOWER TRIM STRIP



**a.** Measure and note the distance from the strike plate to the bolt sleeve on the lower bolt ( $X_2$ ).

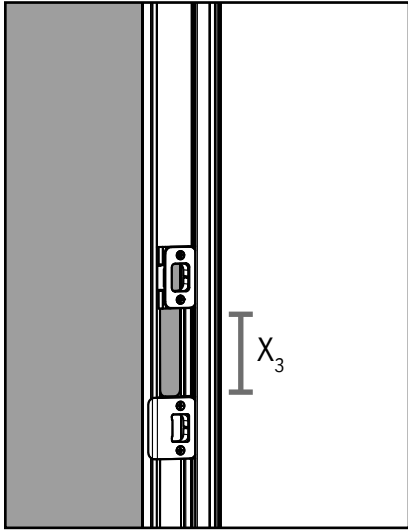


**b.** Align the D-shaped cutout on the trim strip with the push button on the lower bolt. Cut any overhang past the lower bolt sleeve.

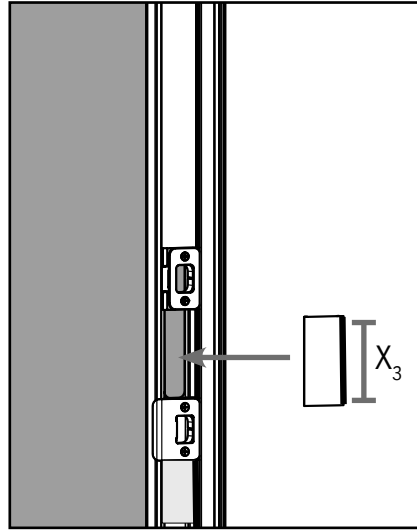


**c.** Cut the trim strip according to the measurement taken in Step 2a. Ensure the side with the sealing fin is on the same side as the weatherstrip. Install sized trim strip onto the astragal body.

## STEP 3: MEASURE, SIZE AND INSTALL MIDDLE TRIM STRIP



**a.** Measure the distance between the strike and deadbolt retainer ( $X_3$ ).



**b.** Cut the remaining trim strip to match this length and install into the astragal. Ensure the side with the sealing fin is on the same side as the weatherstrip.