

Ultimate Push Button Astragal Flush Bolt

Replacement Instructions

Tools Required:



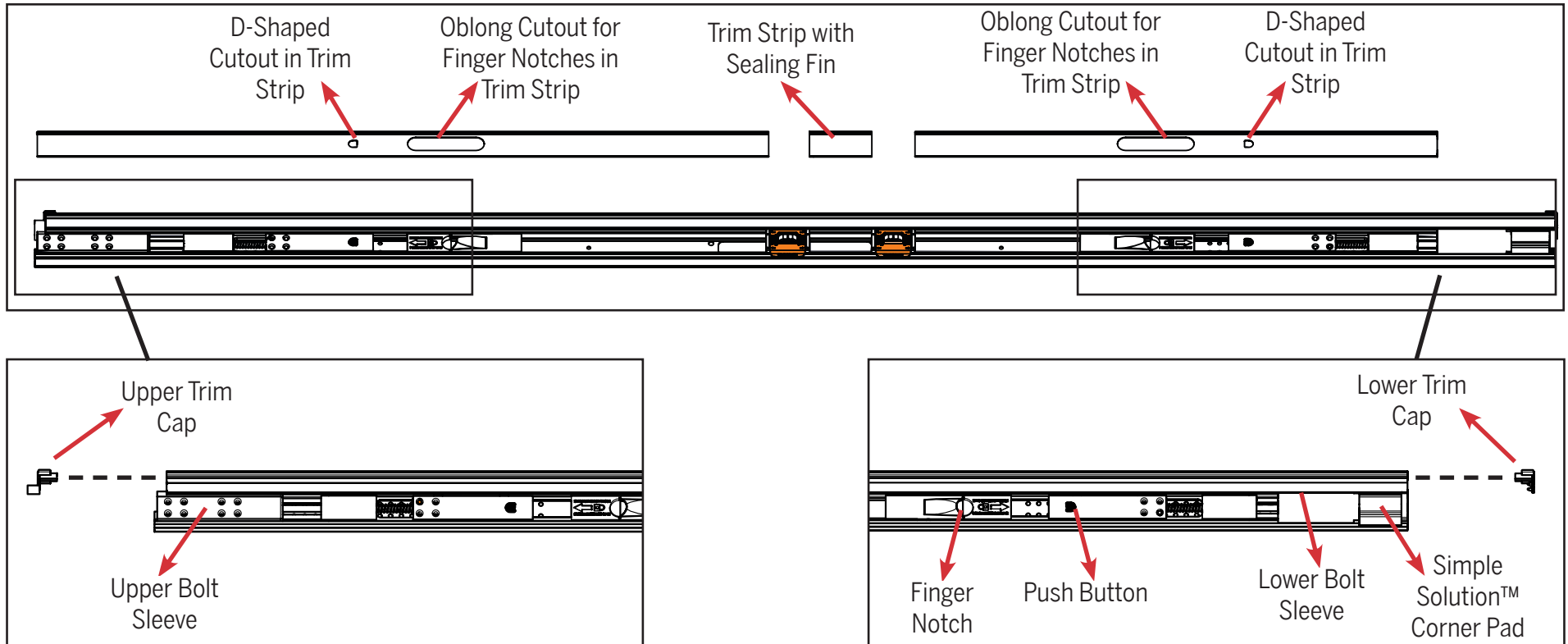
Phillips
Screwdriver

Recommended Parts for Lower Flush Bolts:

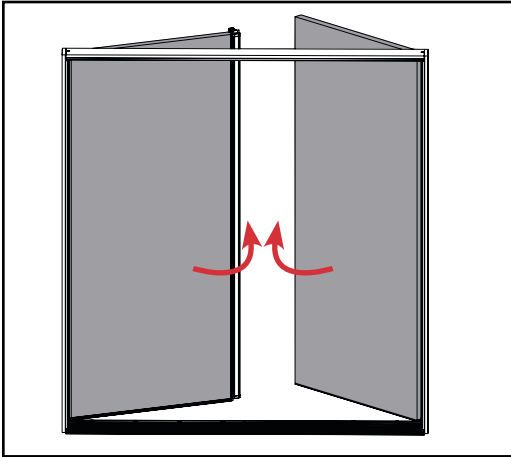


Endura Simple Solution™
Corner Pad

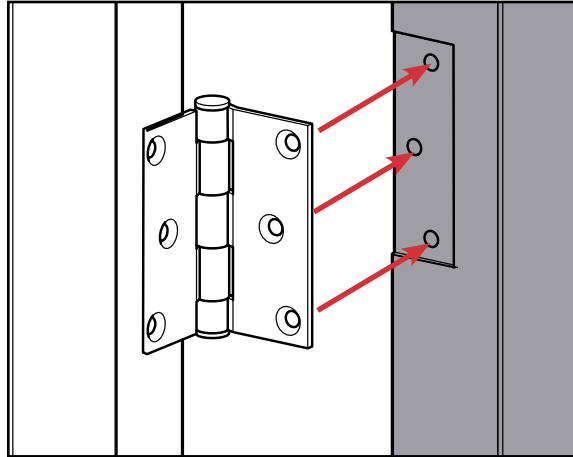
Product Reference Guide



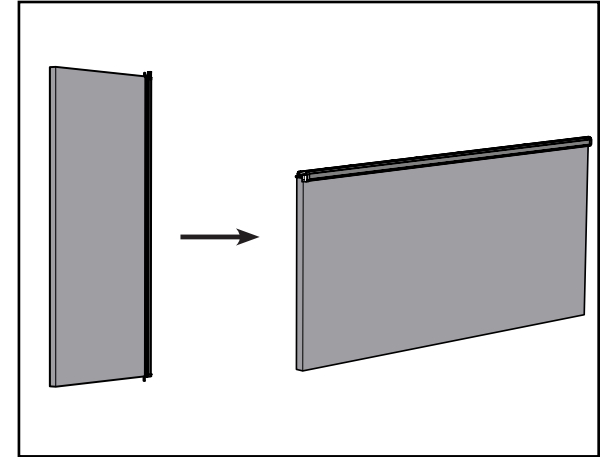
STEP 1: REMOVE THE INACTIVE DOOR PANEL FROM THE JAMB



a. Open both door panels to access the hinges of the inactive door panel.

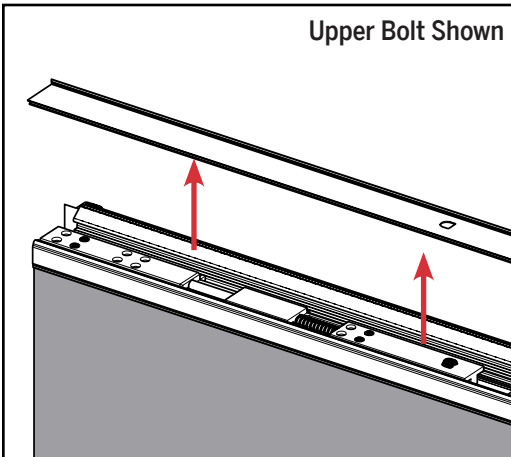


b. Remove the screws securing the inactive door to the hinges.

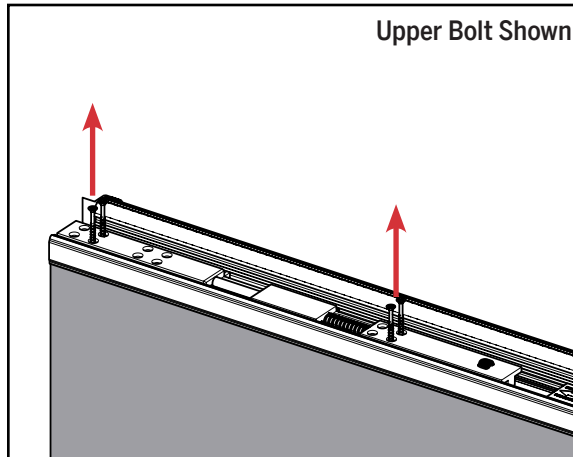


c. Place the door panel horizontally against a strong support to access the astragal.

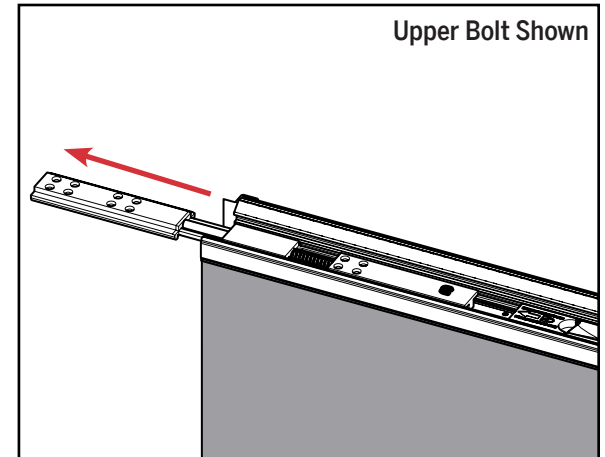
STEP 2: REMOVE THE OLD BOLT FROM THE ASTRAGAL BODY



a. Remove the trim strip covering the bolt being replaced and set aside.

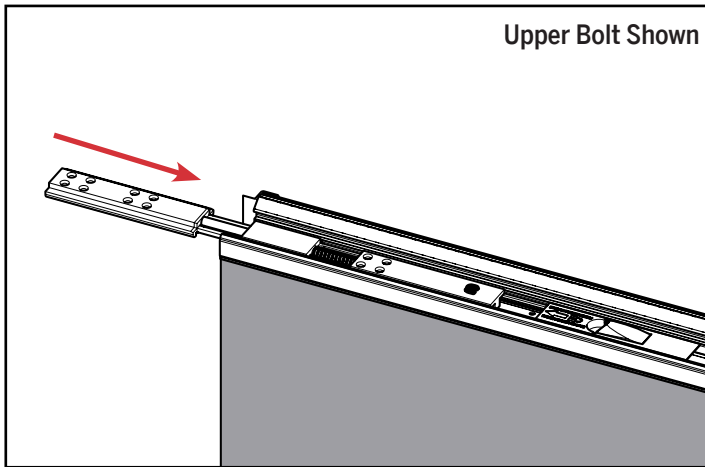


b. Remove the screws securing the flush bolt into the astragal body and door panel and set aside.

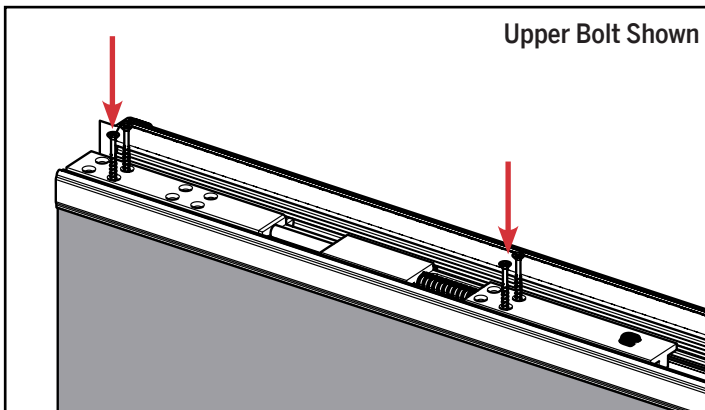


c. Slide the bolt out of the astragal and discard.


STEP 3: INSTALL NEW BOLT

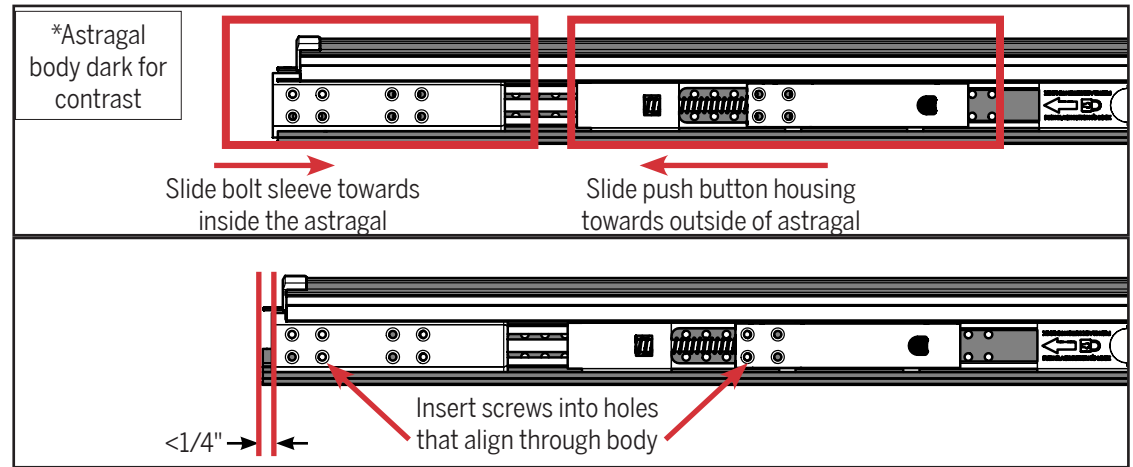


a. Slide the new bolt into the astragal body until the end of the bolt sleeve is flush with the end of the astragal.

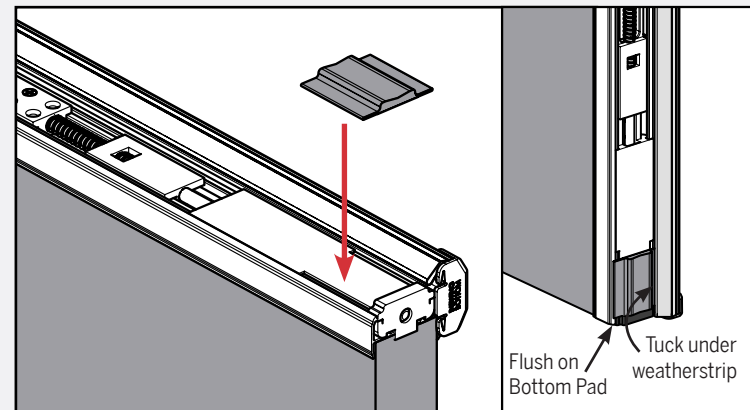


c. With holes aligned on the bolt sleeve and the push button housing, insert the screws previously removed through the holes and tighten.

 You should install a total of **4** screws if replacing the upper bolt or **2** screws if replacing the bottom bolt.



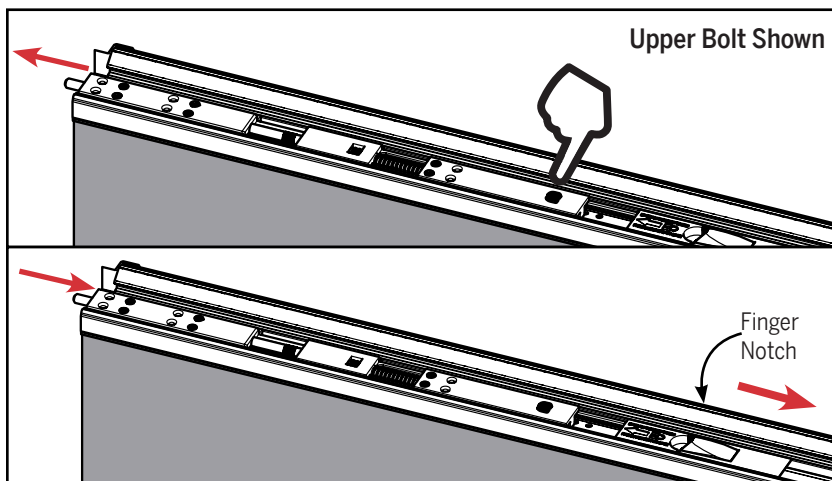
b. If the holes on the bolt do not align with the holes in the astragal body, adjust the location of the bolt sleeve and/or push button housing to align the holes. The bolt sleeve may be up to 1/4" inset from the end of the astragal.



NOTE: If replacing the lower bolt, install a new corner pad (purchased separately) at this step.

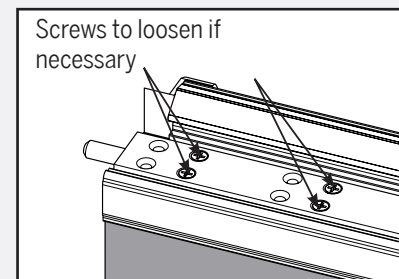
Corner pads should be installed flush against the bottom bolt gasket and tucked under the weatherstrip.

STEP 4: CHECK BOLT OPERATION

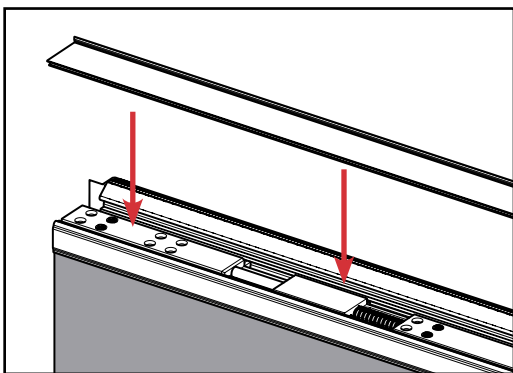


a. Press the push button on the new bolt to ensure the bolt was properly installed. Retract the bolt by pulling the finger notch back.

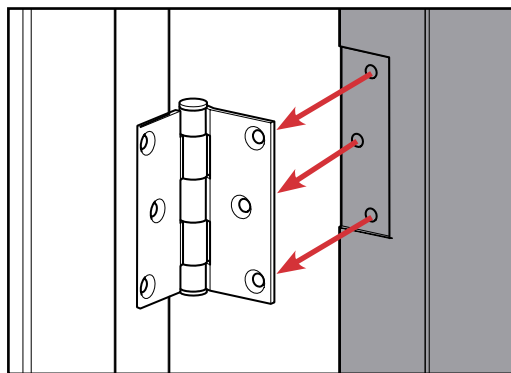
For Upper Bolt Only:
If retracting the bolt is tight, loosen the screws on the upper bolt sleeve.



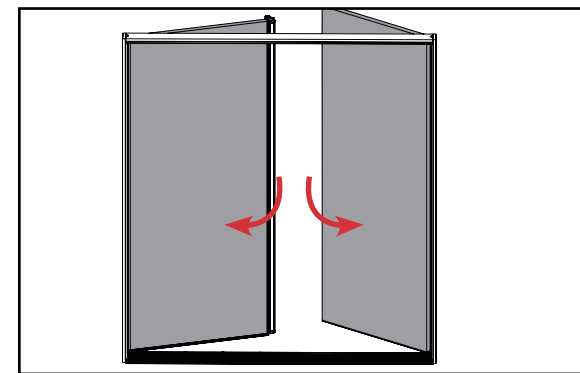
STEP 5: REINSTALL THE DOOR PANEL



a. Replace the trim strip previously removed from the astragal body.



b. Reinstall the inactive door panel by screwing the door panel back to the hinges.



c. Close the inactive door and lock the bolts to confirm proper operation.