

# Ultimate Hurricane Astragal Strike Support

## Replacement Instructions



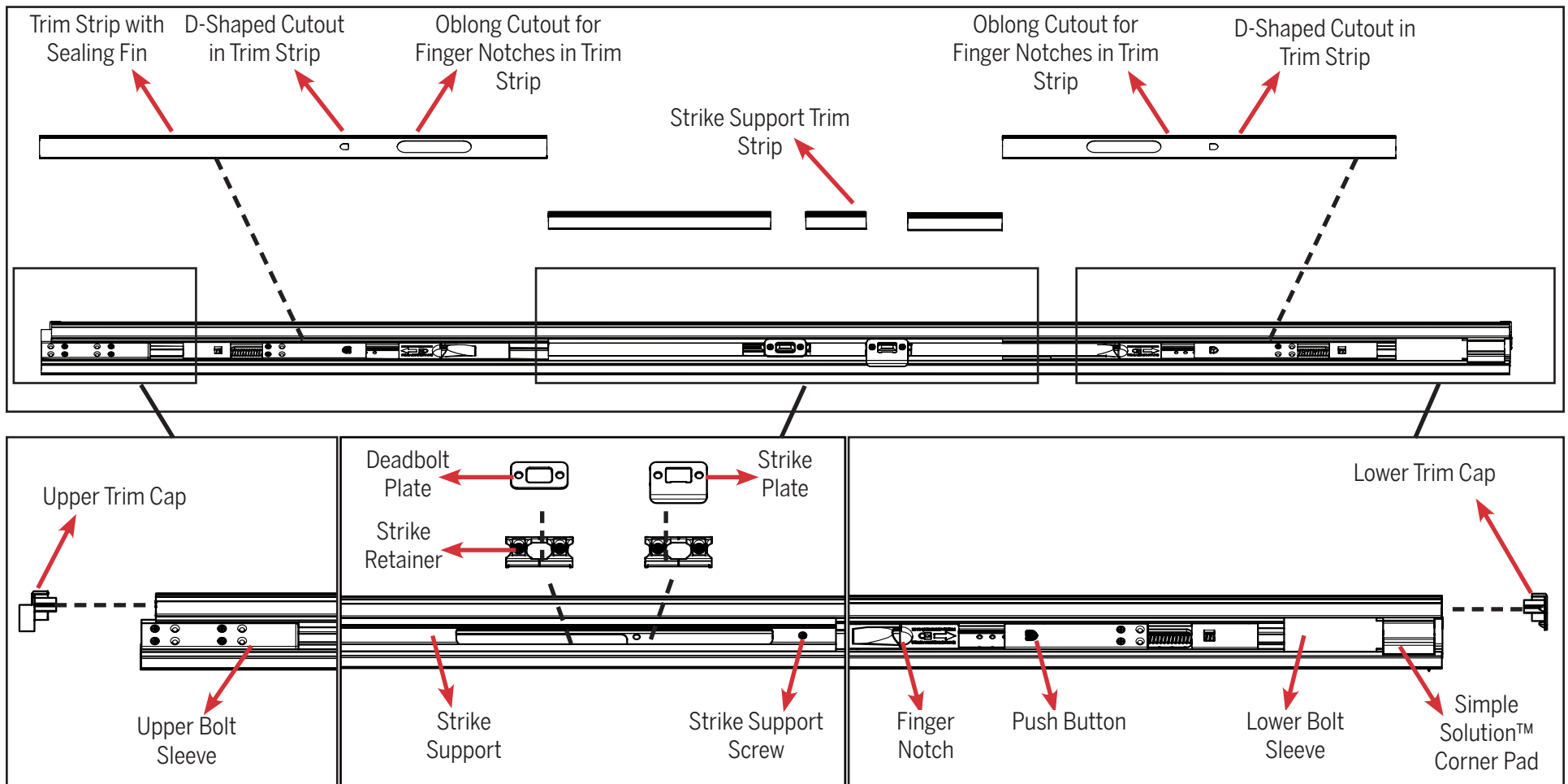
8817 West Market Street  
Cofax, NC 27235 | 800.334.2006  
www.enduraproducts.com

### Tools Required:

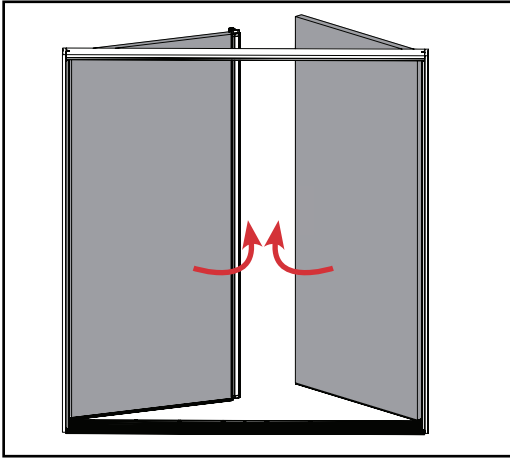


Phillips  
Screwdriver

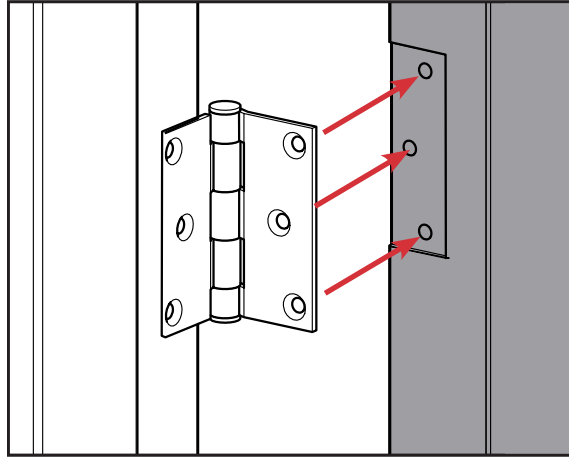
### Product Reference Guide



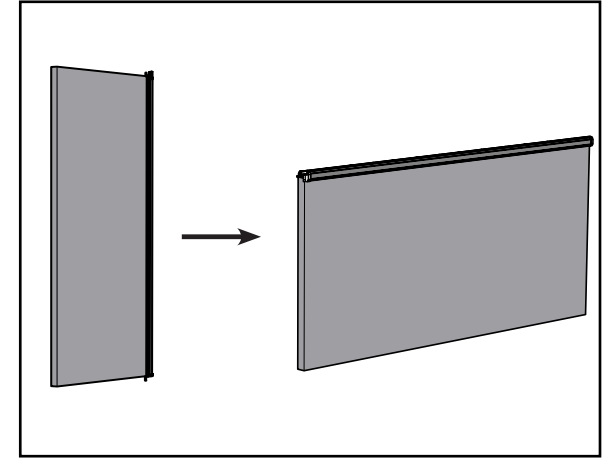
## STEP 1: REMOVE THE INACTIVE DOOR PANEL FROM THE JAMB



**a.** Open both door panels to access the hinges of the inactive door panel.

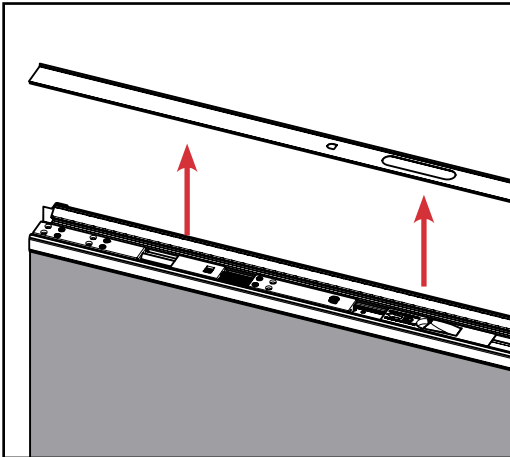


**b.** Remove the screws and detach the inactive door panel from the hinges.

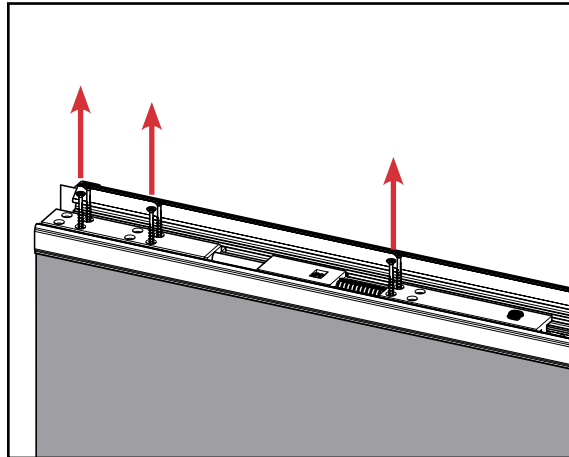


**c.** Place the door panel horizontally against a strong support to access the astragal.

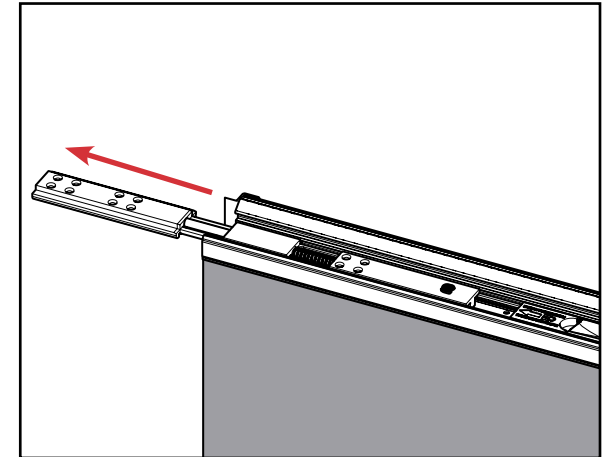
## STEP 2: REMOVE THE UPPER BOLT FROM THE ASTRAGAL BODY



**a.** Remove the trim strip covering the upper bolt.

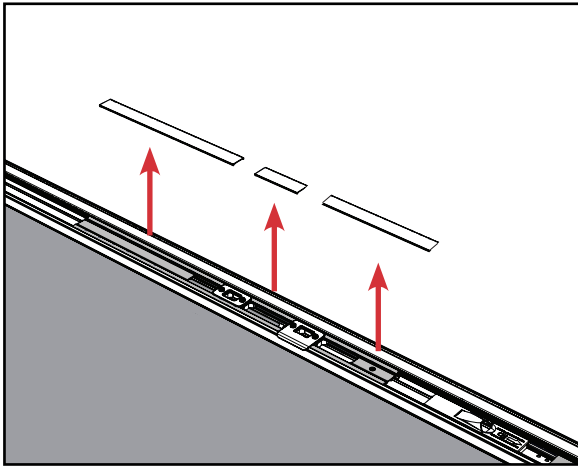


**b.** Remove the screws securing the bolt into the astragal body and door panel and set aside.

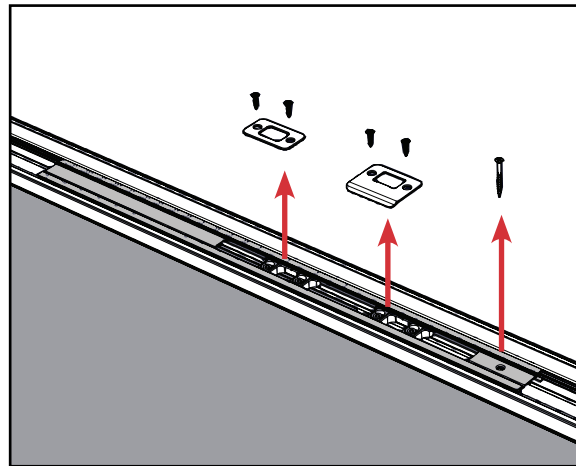


**c.** Slide the bolt out of the astragal.

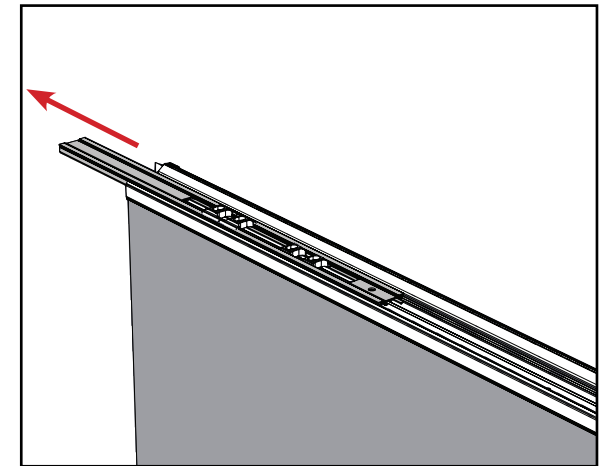
### STEP 3: REMOVE THE OLD STRIKE SUPPORT



**a.** Remove the trim strip that's over the strike support and set aside.

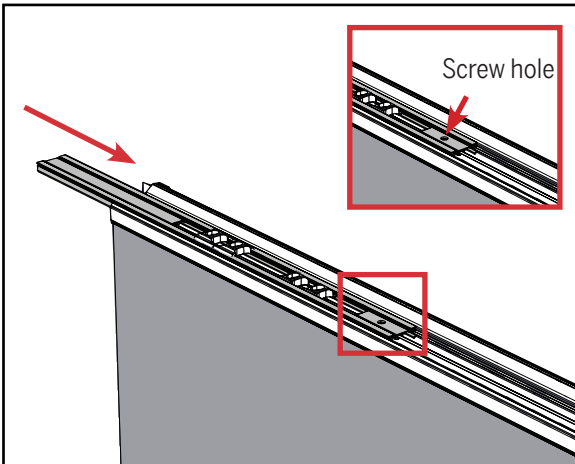


**b.** Remove the strike support screw and the strike and deadbolt plates. Set aside.

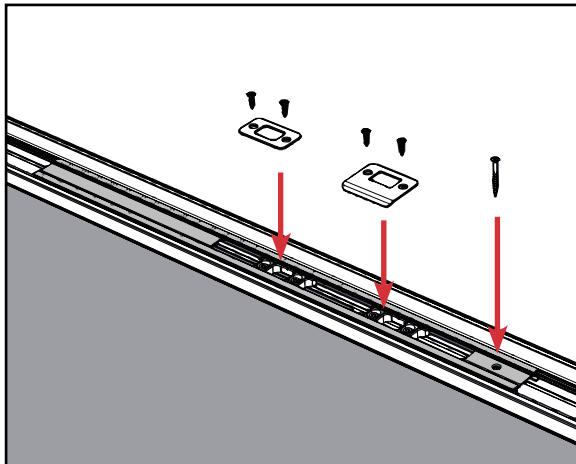


**c.** Slide the strike support out of the astragal body and discard.

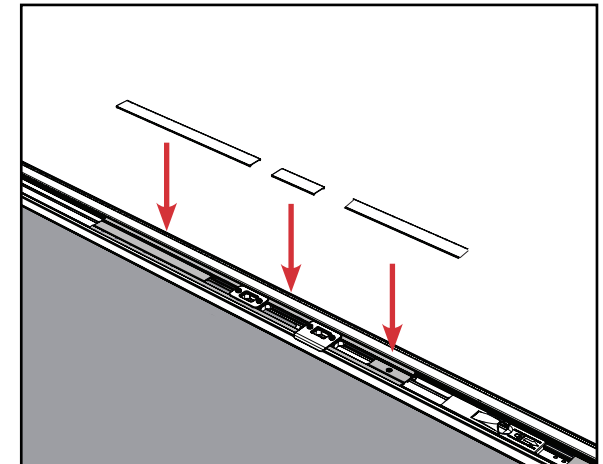
### STEP 4: INSERT NEW STRIKE SUPPORT



**a.** With the screw hole towards the bottom of the astragal, slide the new strike support back to the same location of the one you removed and screw into place.

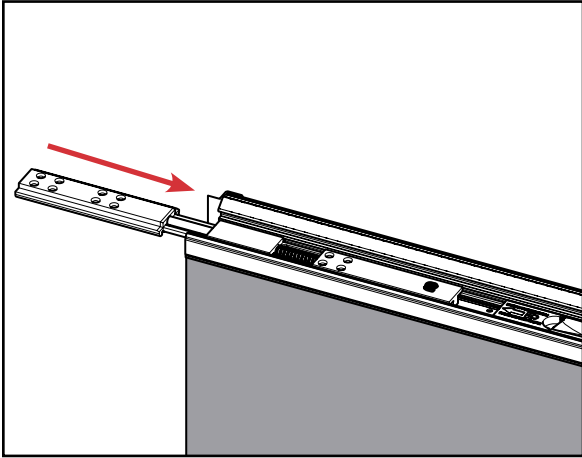


**b.** Reinsert the screw through the strike support and into the astragal and door panel. Reinstall the strike plate and the deadbolt plate.

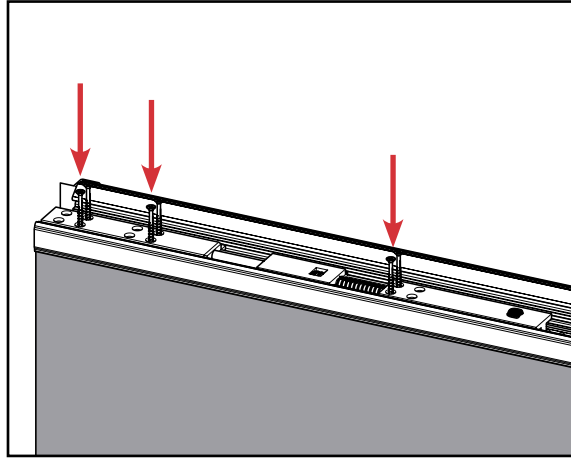


**c.** Remove the trim strip that's over the strike support and set aside.

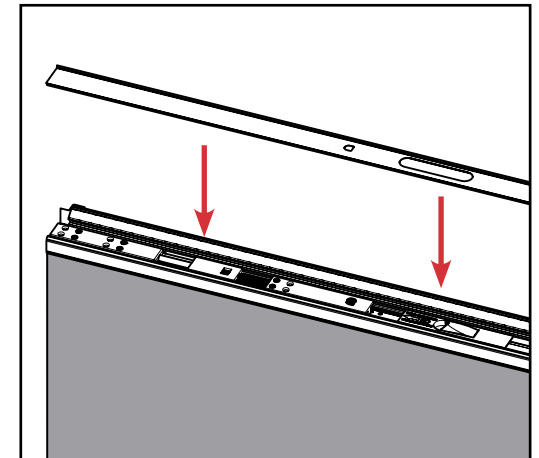
## STEP 5: RETURN UPPER BOLT



**a.** Slide the upper bolt back into the astragal body.

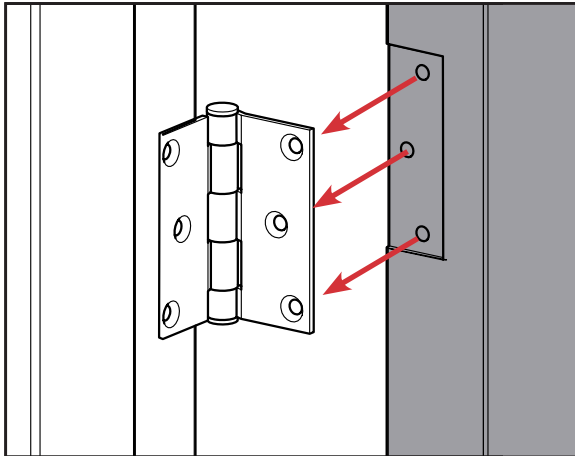


**b.** Return the screws securing the bolt into the astragal body and door panel.

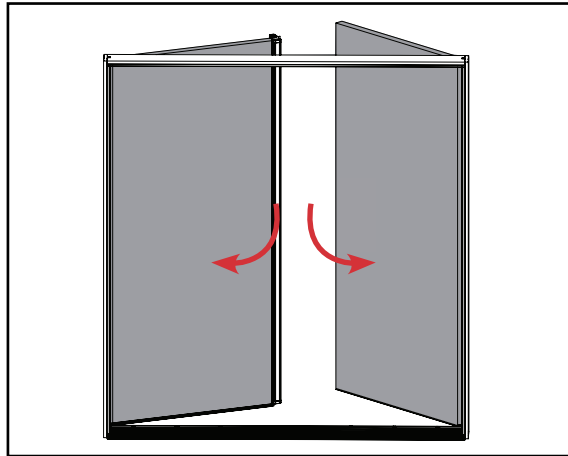


**c.** Return the trim strip covering the bolt ensuring the sealing fin is on the side closest to the weatherstrip.

## STEP 6: REINSTALL THE DOOR PANEL



**a.** Remove the screws securing the inactive door to the hinges.



**b.** Close the inactive door and lock the bolts to ensure the bolts contact the header and sill receivers properly.