

# Strike Support Trim Strip with Sealing Fin

## Replacement Instructions



8817 West Market Street  
Colfax, NC 27235 | 800.334.2006  
www.enduraproducts.com

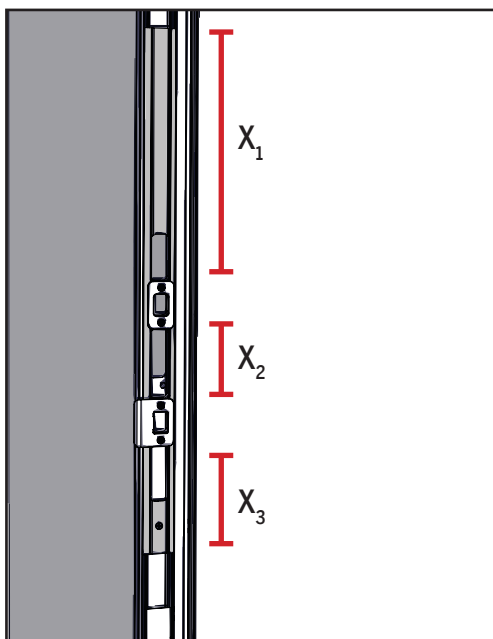
### Tools Required:

- Cutting Tool
- Tape Measure
- Pencil/Marker

### Before you begin:

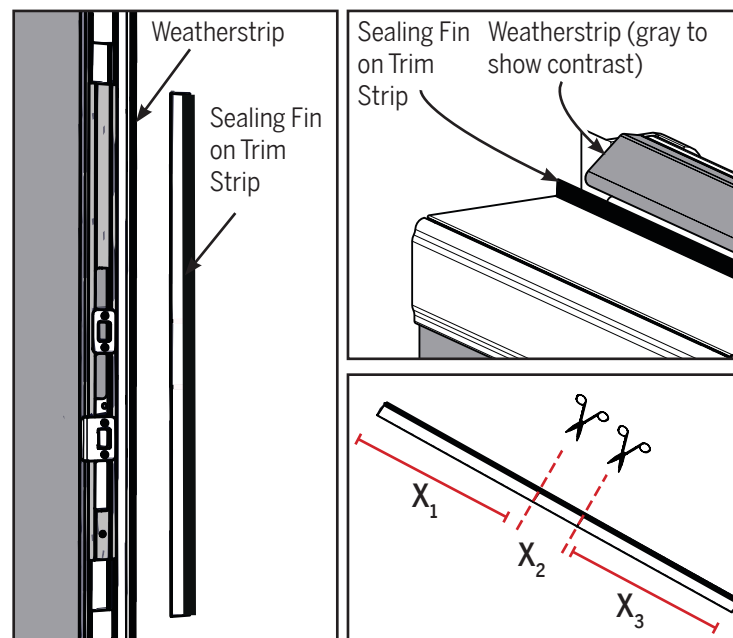
- Remove the old or damaged trim strip to be replaced.
- Ensure the strike and deadbolt plates are installed in the correct locations.

### STEP 1: INITIAL PREPARATION



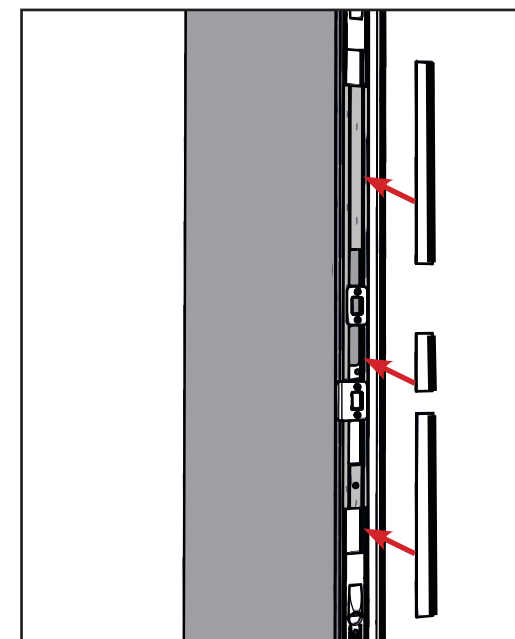
Measure the distances from top of the strike support to the deadbolt plate ( $X_1$ ), between the strike plate and the deadbolt plate ( $X_2$ ), and the distance between the strike plate and the end of the strike support ( $X_3$ ).

### STEP 2: CUT THE TRIM STRIP



Orient the trim strip against the astragal so that the side with the sealing fin is close to the weatherstrip. Cut the trim strip into sizes matching the distances measured in Step 1.

### STEP 3: INSTALL THE TRIM STRIP



Install each piece of the trim strip onto the strike support, ensuring the side with the sealing fin is close to the weatherstrip.