

Flip Lever Gear Assembly

Replacement Instructions



8817 West Market Street
Colfax, NC 27235 | 800.334.2006
www.enduraproducts.com

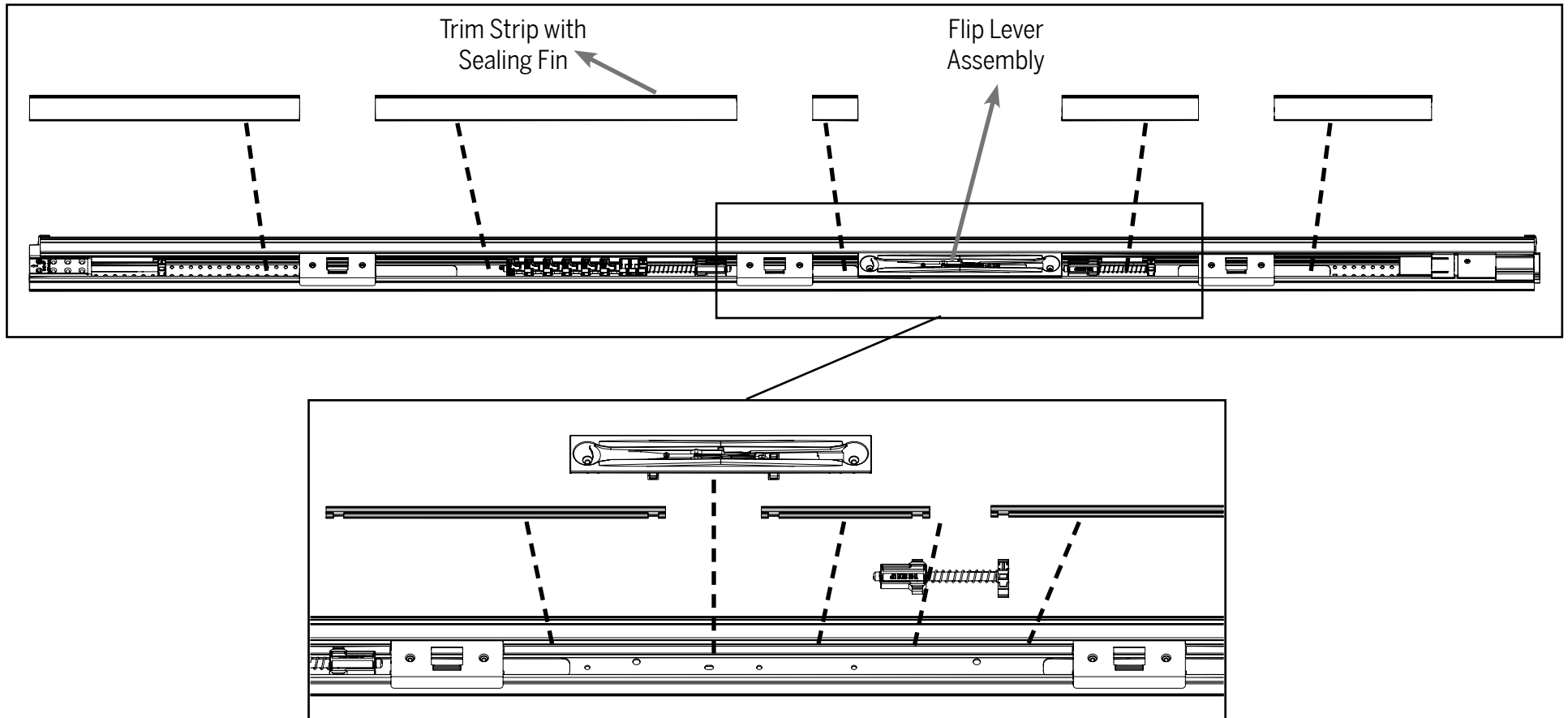
Tools Required:

- Flathead Screwdriver
- Phillips Screwdriver
- Pencil/ Marker

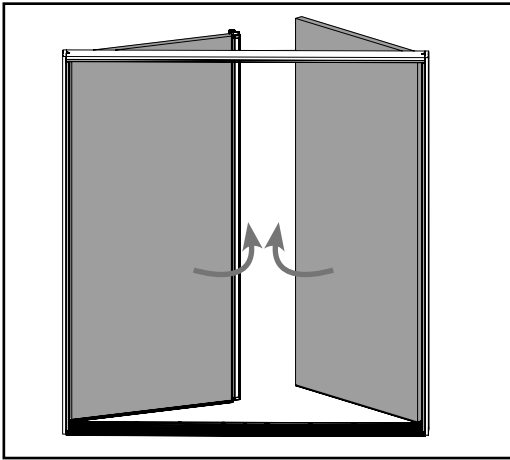
Kit Includes:

- Flip Lever Assembly
- Mounting Screws (3)

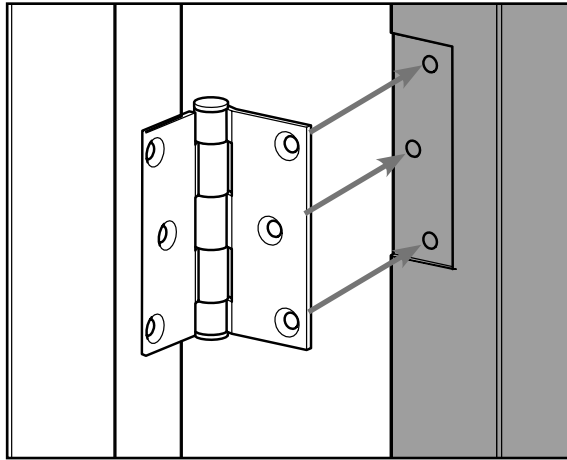
Product Reference Guide - Ultimate Trilennium® Astragal



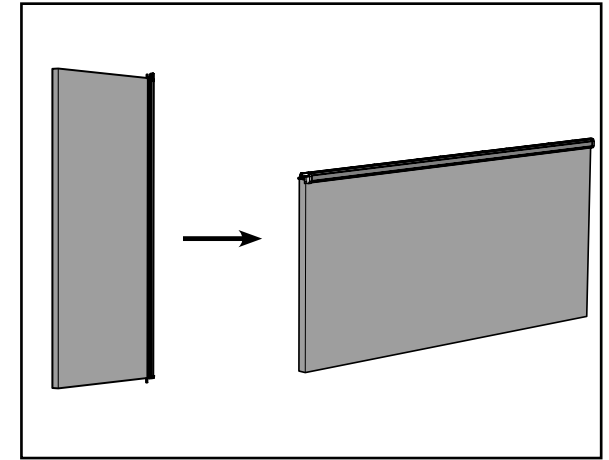
STEP 1: REMOVE THE INACTIVE DOOR PANEL FROM THE JAMB



a. Open both door panels to access the hinges of the inactive door panel.



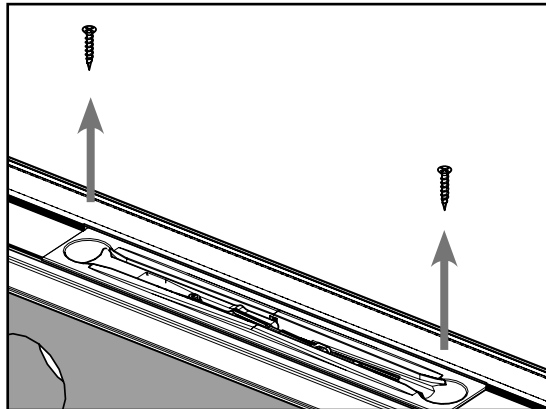
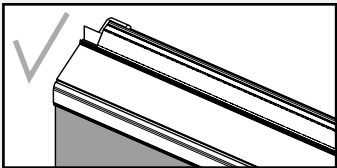
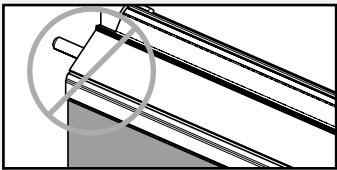
b. Remove screws and detach the inactive door panel from the hinges.



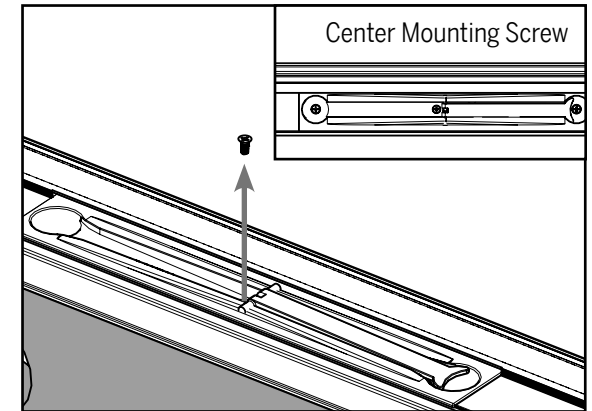
c. Place the door panel horizontally against a strong support to access the astragal.

STEP 2: REMOVE THE FLIP LEVER ASSEMBLY FROM THE ASTRAGAL

Ensure the bolts are in the unlocked/disengaged position before removing flip lever assembly.

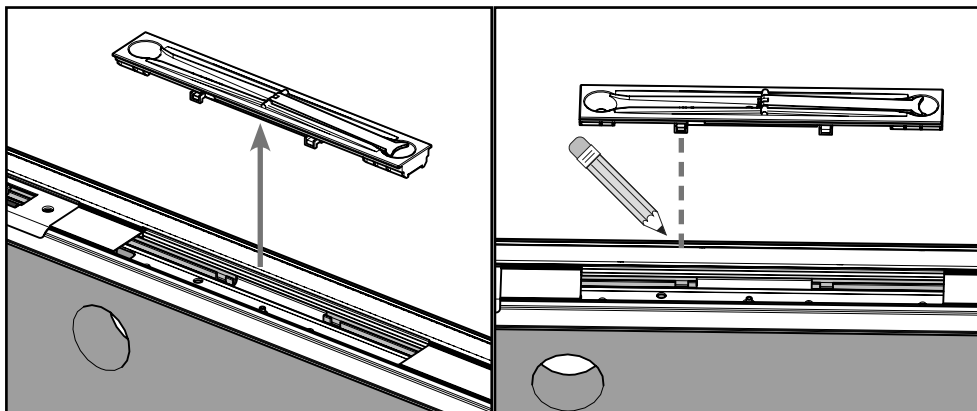


a. Remove the two screws from the flip lever assembly.

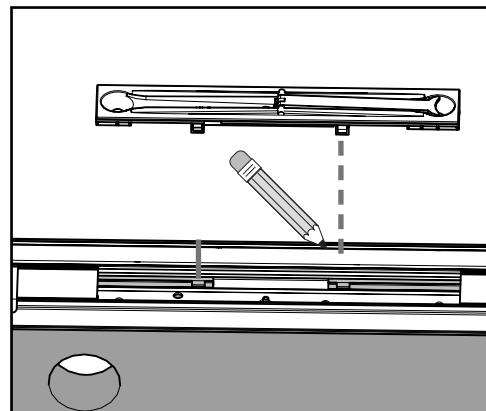


b. Flip the lever and remove the screw from the center of the assembly.

STEP 3: REMOVE THE FLIP LEVER ASSEMBLY TO BE REPLACED

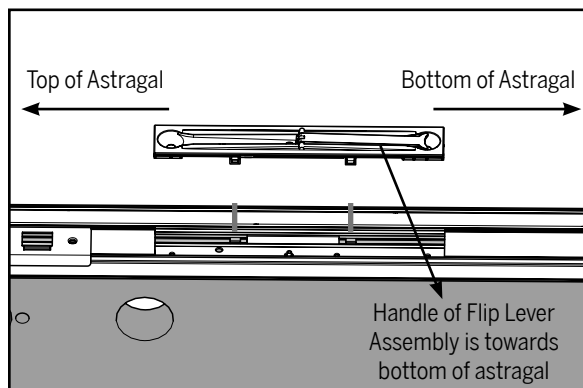


a. Remove the flip lever assembly from the astragal body by lifting it straight up from the astragal body. As you remove the flip lever assembly, mark the location on the astragal body where the upper flip lever lug aligns with a notch in the upper drive channel.

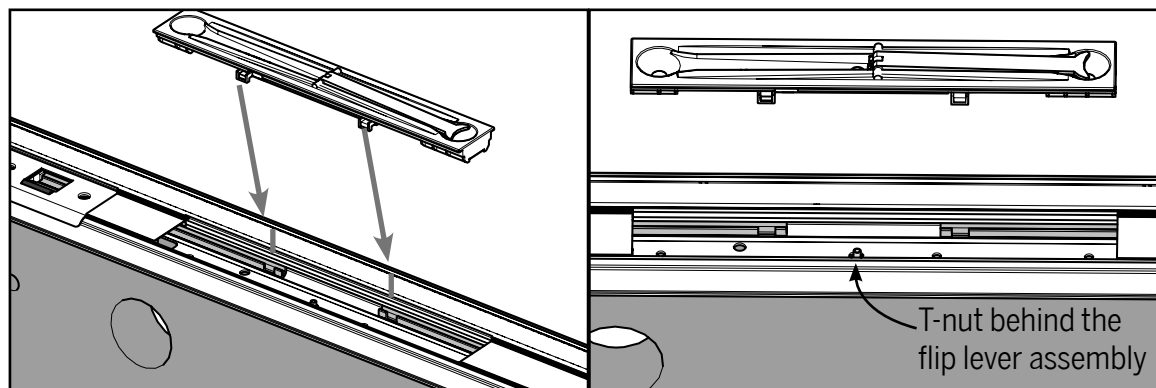


b. Make a mark on the astragal body where the lower flip lever lug aligns with the notch in the lower drive channel. Discard old assembly.

STEP 4: INSTALL THE NEW FLIP LEVER ASSEMBLY



a. Align the new flip lever assembly with the astragal body so that the handle arm points towards the bottom of the astragal.

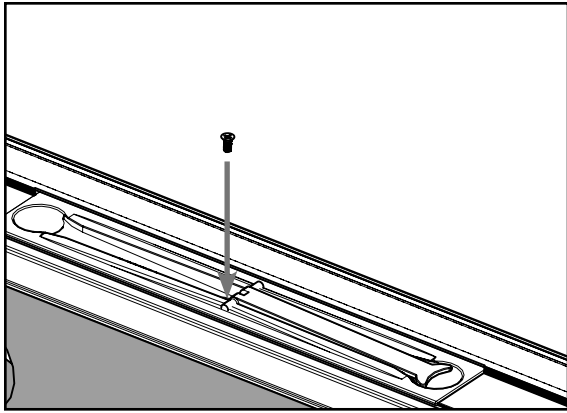


b. Insert the new flip lever assembly into the astragal body, ensuring the flip lever lugs align with the marks made on the astragal body in Steps 3b and 3c. Ensure the flip lever assembly sits flush in the body with the lugs securely inserted in the notches and that the T-nut fits through the center screw mounting hole.

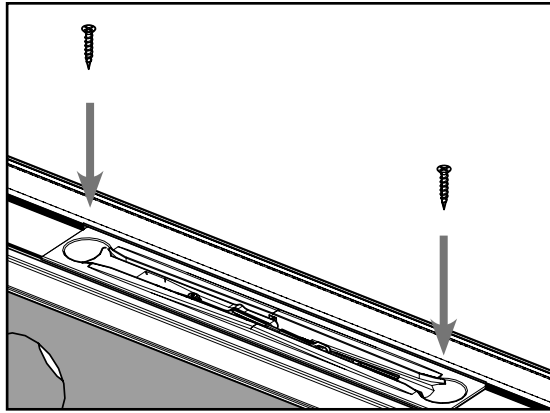


Do not operate the flip lever until the screw is reinserted.

STEP 4 (CONT.): INSTALL THE NEW FLIP LEVER ASSEMBLY

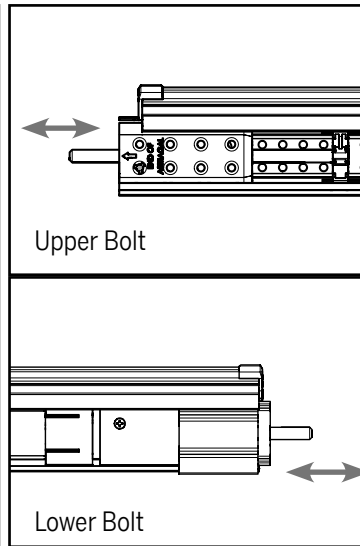
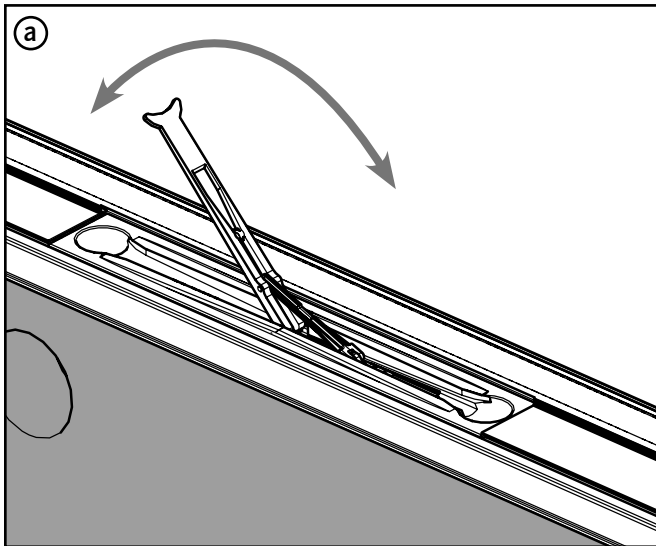


c. Reinstall the flip lever assembly center mounting screw.



d. Reinstall the two screws from the flip lever assembly.

STEP 5: CONFIRM OPERATION

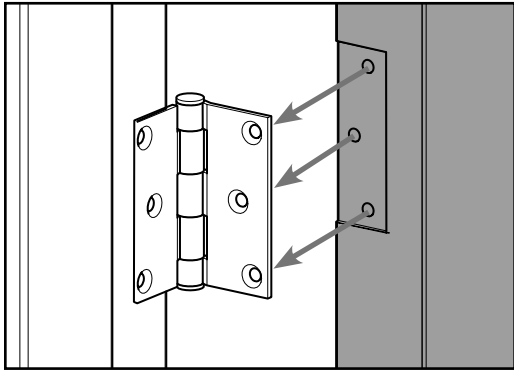


a. Engage the flip lever and ensure both the upper and lower bolts move in and out smoothly.

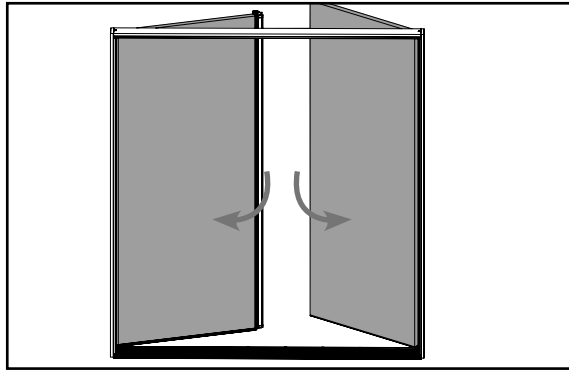
b. If the bolts **do not** operate smoothly:

- Check for bolt obstructions.
- Check that the screws in the astragal are not overtightened in the astragal body. The top of the screw should be flush with the astragal body.
- If the lever operation is difficult, slightly loosen the screws securing the flip lever assembly.

STEP 6: REINSTALL THE DOOR PANEL



a. Reinstall the inactive door panel by screwing the door panel back to the hinges.



b. Close the inactive door and lock the bolts to confirm proper operation.